



PIAGGIO & C.s.p.a.



## CATALOGUS RESERVEONDERDELEN



### V7 Racer 750 2011

Voorvoegsel frame: ZGULWB00

Voorvoegsel motor:

V7

GU100



## Inhoudsopgave

|  |    |
|--|----|
| Afgewerkte producten.....                      | 4  |
| Alfanumerieke inhoudsopgave.....               | 5  |
| FRAME.....                                     | 10 |
| Tafel 33.01 - Frame I.....                     | 10 |
| Tafel 33.02 - Frame II.....                    | 11 |
| Tafel 33.03 - Lateral stand.....               | 12 |
| Tafel 33.06 - Gear lever.....                  | 13 |
| Tafel 33.07 - Front fork I.....                | 14 |
| Tafel 33.08 - Front fork II.....               | 15 |
| Tafel 33.11 - Rear shock absorber.....         | 17 |
| Tafel 33.12 - Fuel tank.....                   | 18 |
| Tafel 33.13 - Front body - Front mudguard..... | 20 |
| Tafel 33.14 - Saddle-Central bod.....          | 21 |
| Tafel 33.15 - Rear body I- Mudguard.....       | 22 |
| Tafel 33.16 - Rear body II- Plate holder.....  | 23 |
| Tafel 33.17 - Dashboard.....                   | 24 |
| Tafel 33.18 - Handlebar - Controls.....        | 25 |
| Tafel 33.19 - Front brake system.....          | 27 |
| Tafel 33.20 - Fuel supply.....                 | 28 |
| Tafel 33.21 - Fuel pump.....                   | 29 |
| Tafel 33.22 - Air box.....                     | 30 |
| Tafel 33.23 - Exhaust unit.....                | 32 |
| Tafel 33.24 - Front wheel.....                 | 34 |
| Tafel 33.25 - Rear wheel.....                  | 35 |
| Tafel 33.26 - Rear master cylinder.....        | 36 |
| Tafel 33.27 - Rear brake caliper.....          | 38 |
| Tafel 33.28 - Front lights.....                | 39 |
| Tafel 33.29 - Rear lights.....                 | 41 |
| Tafel 33.30 - Electrical system I.....         | 42 |
| Tafel 33.31 - Electrical system II.....        | 43 |
| Tafel 33.32 - Lock hardware kit.....           | 45 |
| Tafel 33.33 - Decal and plate set.....         | 46 |
| Tafel 33.51 - Fuel vapour recover system.....  | 47 |
| ENGINE.....                                    | 48 |
| Tafel 34.09 - Transmission complete I.....     | 48 |
| Tafel 34.10 - Transmission complete II.....    | 49 |
| Tafel 34.34 - Crank-case.....                  | 52 |
| Tafel 34.35 - Timing system cover.....         | 54 |
| Tafel 34.36 - Cylinder head.....               | 55 |
| Tafel 34.37 - Crankshaft cpl.....              | 56 |
| Tafel 34.38 - Timing system.....               | 57 |
| Tafel 34.39 - Oil pump.....                    | 59 |
| Tafel 34.40 - Clutch I.....                    | 61 |



---

|  |    |
|--|----|
| Tafel 34.41 - Clutch II.....             | 62 |
| Tafel 34.42 - Transmission cage.....     | 63 |
| Tafel 34.43 - Gear box.....              | 64 |
| Tafel 34.44 - Gear box selector.....     | 66 |
| Tafel 34.45 - Generator - Regulator..... | 67 |
| Tafel 34.46 - Starter motor.....         | 68 |
| Tafel 34.47 - Throttle body.....         | 69 |



## Afgewerkte producten

| Code           | Geldigheid |
|----------------|------------|
| GU9032178AUA01 |            |
| GU9032178CAB01 |            |
| GU9032178EUA00 |            |
| GU9032178EUA01 |            |
| GU9032178GBA00 |            |
| GU9032178GBA01 |            |
| GU9032178JPA00 |            |
| GU9032178JPA01 |            |
| GU9032178USB01 |            |



| Code    | N.Tafel | Pos. | Code        | N.Tafel | Pos. | Code        | N.Tafel | Pos. |
|---------|---------|------|-------------|---------|------|-------------|---------|------|
| 0000000 | 33.24   | 16   | 883802      | 33.18   | 10   | 898168      | 33.25   | 1    |
| 0000000 | 33.24   | 17   | 883852      | 33.21   | 5    | 898170      | 33.18   | 1    |
| 0000000 | 33.24   | 18   | 883870      | 33.23   | 1    | 898171      | 33.18   | 8    |
| 0000000 | 33.25   | 18   | 883871      | 33.23   | 2    | 898172      | 33.12   | 1    |
| 0000000 | 33.25   | 19   | 883877      | 34.45   | 1    | 898174      | 33.33   | 2    |
| 0000000 | 33.25   | 20   | 883878      | 34.45   | 2    | 898178      | 33.14   | 1    |
| 254485  | 33.14   | 16   | 883911      | 33.33   | 20   | 898179      | 33.13   | 7    |
| 290860  | 33.31   | 16   | 883912      | 33.33   | 21   | 898180      | 33.13   | 8    |
| 292022  | 33.28   | 9    | 883912      | 33.33   | 22   | 898270      | 33.14   | 20   |
| 292723  | 33.28   | 10   | 883930      | 33.33   | 19   | 898271      | 33.14   | 21   |
| 584332  | 33.28   | 15   | 883940      | 33.18   | 3    | 898277      | 33.14   | 10   |
| 584332  | 33.29   | 7    | 886141      | 33.33   | 10   | 898278      | 33.14   | 9    |
| 584509  | 33.31   | 24   | 886368      | 33.14   | 12   | 898280      | 33.16   | 6    |
| 599501  | 33.08   | 7    | 886369      | 33.12   | 3    | 898281      | 33.06   | 7    |
| 599502  | 33.08   | 9    | 886370      | 33.12   | 20   | 898281      | 33.26   | 27   |
| 599503  | 33.08   | 8    | 886581      | 33.01   | 17   | 898282      | 33.06   | 1    |
| 599504  | 33.08   | 6    | 886582      | 33.01   | 18   | 898283      | 33.06   | 3    |
| 639542  | 33.03   | 8    | 886617      | 33.12   | 18   | 898284      | 33.06   | 9    |
| 640201  | 33.31   | 5    | 886625      | 33.12   | 19   | 898285      | 33.26   | 30   |
| 640598  | 33.28   | 11   | 886630      | 33.11   | 3    | 898286      | 33.26   | 17   |
| 641541  | 34.39   | 8    | 886637      | 33.33   | 13   | 898287      | 33.26   | 12   |
| 672381  | 33.33   | 23   | 886638      | 33.33   | 12   | 898288      | 33.26   | 4    |
| 856062  | 33.51   | 7    | 886639      | 33.33   | 1    | 898611      | 33.06   | 12   |
| 856063  | 33.51   | 6    | 886640      | 33.33   | 9    | 898612      | 33.26   | 28   |
| 856064  | 33.51   | 11   | 886643      | 33.33   | 8    | 976600      | 34.34   | 1    |
| 856796  | 33.06   | 20   | 886644      | 33.33   | 14   | 976603      | 34.35   | 1    |
| 860138  | 33.51   | 10   | 886645      | 33.01   | 11   | 976604      | 34.34   | 12   |
| 883075  | 33.18   | 15   | 886665      | 33.06   | 13   | 976605      | 34.42   | 1    |
| 883077  | 33.30   | 1    | 886665      | 33.26   | 1    | 976606      | 34.42   | 17   |
| 883077  | 33.31   | 1    | 886666      | 33.26   | 9    | 976608      | 34.10   | 1    |
| 883161  | 33.31   | 12   | 886668      | 33.06   | 16   | 976685      | 34.34   | 16   |
| 883180  | 33.27   | 6    | 886675      | 33.11   | 1    | 976939      | 34.34   | 28   |
| 883182  | 33.32   | 1    | 886676      | 34.09   | 11   | 976940      | 34.42   | 21   |
| 883185  | 33.12   | 2    | 886677      | 33.07   | 1    | 976941      | 34.09   | 1    |
| 883185  | 33.32   | 3    | 886678      | 33.33   | 3    | 977088      | 33.03   | 1    |
| 883191  | 33.31   | 11   | 886681      | 33.24   | 2    | 977527      | 33.14   | 8    |
| 883192  | 33.27   | 7    | 886684      | 33.08   | 17   | 977527      | 33.32   | 4    |
| 883193  | 33.12   | 4    | 886706      | 33.14   | 15   | 978311      | 33.28   | 2    |
| 883252  | 33.12   | 12   | 886709      | 33.33   | 5    | 978323      | 33.19   | 15   |
| 883265  | 33.20   | 1    | 886711      | 33.25   | 2    | 978323      | 33.27   | 20   |
| 883295  | 33.14   | 5    | 886712      | 33.16   | 9    | 978385      | 33.23   | 12   |
| 883296  | 33.27   | 1    | 886713      | 33.16   | 10   | 978386      | 33.23   | 15   |
| 883303  | 33.19   | 13   | 886714      | 33.28   | 16   | 978387      | 33.23   | 4    |
| 883349  | 33.25   | 8    | 886724      | 33.13   | 10   | 978415      | 33.14   | 7    |
| 883350  | 33.25   | 7    | 886727      | 33.14   | 19   | 978415      | 33.32   | 9    |
| 883417  | 33.28   | 26   | 88673000Y02 | 33.13   | 1    | 978570      | 33.18   | 10   |
| 883469  | 33.12   | 1    | 88673100Y02 | 33.13   | 7    | 978662      | 33.28   | 2    |
| 883470  | 33.16   | 12   | 88673200Y02 | 33.16   | 6    | 978928      | 33.12   | 1    |
| 883471  | 33.03   | 1    | 886784      | 33.13   | 2    | 978930      | 33.20   | 2    |
| 883476  | 33.12   | 2    | 886820      | 33.14   | 22   | 978930      | 33.21   | 1    |
| 883476  | 33.32   | 3    | 886825      | 33.33   | 11   | 978938      | 34.47   | 19   |
| 883477  | 33.32   | 1    | 886830      | 34.36   | 9    | 978939      | 34.47   | 20   |
| 883478  | 33.28   | 5    | 886841      | 33.14   | 14   | 97894600Y02 | 33.15   | 1    |
| 883479  | 33.29   | 1    | 886842      | 33.08   | 21   | 978947      | 33.15   | 2    |
| 883480  | 33.16   | 15   | 887093      | 34.39   | 9    | 978949      | 33.16   | 1    |
| 883498  | 33.08   | 23   | 887205      | 33.12   | 1    | 97895015    | 33.29   | 1    |
| 883552  | 33.08   | 24   | 887206      | 33.33   | 5    | 978970      | 33.26   | 13   |
| 883581  | 33.19   | 2    | 887280      | 33.06   | 17   | 978974      | 33.08   | 19   |
| 883602  | 33.08   | 34   | 887445      | 33.12   | 1    | 978977      | 33.08   | 29   |
| 883688  | 33.24   | 10   | 896174      | 33.14   | 13   | 978978      | 33.08   | 4    |
| 883696  | 33.22   | 16   | 898082      | 33.01   | 1    | 981070      | 34.40   | 8    |
| 883697  | 33.22   | 15   | 898083      | 33.02   | 1    | 981149      | 33.28   | 12   |
| 883711  | 33.23   | 11   | 898084      | 33.02   | 2    | AP8101594   | 33.26   | 20   |
| 883712  | 33.23   | 10   | 898086      | 33.07   | 7    | AP8101595   | 33.12   | 15   |
| 883796  | 33.17   | 1    | 898118      | 33.24   | 5    | AP8102159   | 33.22   | 25   |
| 883797  | 33.17   | 1    | 898120      | 33.25   | 11   | AP8102239   | 33.22   | 30   |
| 883798  | 33.31   | 19   | 898167      | 33.24   | 1    | AP8102375   | 33.26   | 19   |



| Code      | N.Tafel | Pos. | Code          | N.Tafel | Pos. | Code          | N.Tafel | Pos. |
|-----------|---------|------|---------------|---------|------|---------------|---------|------|
| AP8102375 | 33.31   | 15   | AP8150413     | 33.13   | 6    | GU00823950050 | 33.26   | 21   |
| AP8102378 | 33.51   | 25   | AP8150413     | 33.22   | 3    | GU01103860    | 33.01   | 13   |
| AP8102524 | 33.03   | 4    | AP8150421     | 33.31   | 33   | GU01106090    | 33.21   | 2    |
| AP8102678 | 33.51   | 1    | AP8150436     | 33.02   | 12   | GU01108490    | 33.21   | 4    |
| AP8102688 | 33.51   | 2    | AP8150468     | 33.26   | 29   | GU01528930    | 34.10   | 9    |
| AP8102766 | 33.22   | 10   | AP8152138     | 33.06   | 21   | GU01609630    | 33.18   | 14   |
| AP8102766 | 33.51   | 21   | AP8152166     | 34.44   | 15   | GU01654630    | 33.19   | 17   |
| AP8102913 | 33.14   | 3    | AP8152220     | 33.02   | 11   | GU01659130    | 33.19   | 11   |
| AP8104242 | 33.22   | 8    | AP8152268     | 33.16   | 18   | GU01659131    | 33.19   | 12   |
| AP8104251 | 33.22   | 24   | AP8152273     | 33.16   | 11   | GU01665410    | 33.26   | 6    |
| AP8104525 | 33.22   | 13   | AP8152273     | 33.20   | 3    | GU01717430    | 33.30   | 8    |
| AP8110053 | 33.06   | 22   | AP8152277     | 33.19   | 3    | GU01718330    | 33.30   | 6    |
| AP8113004 | 33.19   | 14   | AP8152277     | 33.31   | 23   | GU01721600    | 33.30   | 13   |
| AP8113004 | 33.27   | 8    | AP8152278     | 33.15   | 3    | GU01744200    | 33.28   | 18   |
| AP8113288 | 33.26   | 16   | AP8152278     | 33.28   | 13   | GU02107100    | 33.12   | 11   |
| AP8113553 | 33.26   | 23   | AP8152279     | 33.15   | 9    | GU03013800    | 33.23   | 8    |
| AP8118490 | 33.18   | 24   | AP8152281     | 34.45   | 12   | GU03013800    | 34.47   | 10   |
| AP8120116 | 33.51   | 8    | AP8152286     | 33.24   | 11   | GU03067730    | 34.10   | 19   |
| AP8120246 | 34.09   | 10   | AP8152287     | 33.02   | 13   | GU03101600    | 33.12   | 7    |
| AP8120531 | 33.14   | 18   | AP8152288     | 33.02   | 15   | GU03101720    | 33.12   | 5    |
| AP8120615 | 33.22   | 14   | AP8152291     | 33.12   | 9    | GU03102200    | 33.12   | 6    |
| AP8120708 | 33.30   | 10   | AP8152298     | 34.47   | 6    | GU03163330    | 33.31   | 3    |
| AP8120772 | 33.22   | 11   | AP8152299     | 33.15   | 15   | GU03270300    | 33.15   | 7    |
| AP8120876 | 33.22   | 23   | AP8152299     | 33.27   | 10   | GU03270300    | 33.26   | 34   |
| AP8120912 | 33.06   | 2    | AP8152299     | 33.51   | 5    | GU03270300    | 33.27   | 22   |
| AP8120912 | 33.26   | 2    | AP8152300     | 33.02   | 14   | GU03530529    | 33.08   | 2    |
| AP8120952 | 33.22   | 1    | AP8152300     | 33.27   | 13   | GU03530530    | 33.08   | 1    |
| AP8120965 | 33.12   | 13   | AP8152306     | 33.16   | 5    | GU03530551    | 33.08   | 12   |
| AP8120965 | 33.51   | 17   | AP8152320     | 33.06   | 6    | GU03604845    | 33.19   | 8    |
| AP8121014 | 33.03   | 3    | AP8152320     | 33.26   | 33   | GU03605645    | 33.19   | 9    |
| AP8121032 | 33.17   | 7    | AP8152329     | 33.15   | 11   | GU03609600    | 33.18   | 14   |
| AP8121072 | 33.23   | 22   | AP8152329     | 33.22   | 18   | GU03631250    | 33.24   | 4    |
| AP8121307 | 33.07   | 4    | AP8152329     | 33.22   | 22   | GU03631250    | 33.25   | 9    |
| AP8121367 | 33.02   | 10   | AP8152329     | 33.31   | 20   | GU03658201    | 33.27   | 16   |
| AP8121375 | 33.03   | 2    | AP8152329     | 33.31   | 8    | GU03658330    | 33.27   | 17   |
| AP8121420 | 33.14   | 6    | AP8152339     | 33.16   | 8    | GU03658330    | 33.51   | 12   |
| AP8121420 | 33.32   | 8    | AP8152385     | 33.19   | 16   | GU03658430    | 33.27   | 14   |
| AP8121607 | 33.03   | 2    | AP8201358     | 33.22   | 2    | GU03660145    | 33.19   | 1    |
| AP8121927 | 33.26   | 3    | AP8201358     | 33.51   | 23   | GU03661145    | 33.19   | 6    |
| AP8121929 | 33.16   | 7    | AP8210007     | 33.06   | 18   | GU03664045    | 33.19   | 7    |
| AP8124528 | 33.31   | 22   | AP8212588     | 33.30   | 11   | GU03740930    | 33.29   | 2    |
| AP8124718 | 33.16   | 13   | AP8213028     | 33.18   | 23   | GU03744760    | 33.28   | 19   |
| AP8124869 | 33.31   | 28   | AP8213057     | 33.26   | 15   | GU03749845    | 33.19   | 5    |
| AP8124936 | 33.30   | 2    | AP8220283     | 33.31   | 29   | GU03922280    | 34.09   | 23   |
| AP8127346 | 33.31   | 17   | AP8220460     | 33.07   | 6    | GU03995730    | 33.33   | 15   |
| AP8133643 | 33.26   | 14   | AP8220546     | 33.31   | 27   | GU04000500    | 34.34   | 10   |
| AP8133873 | 33.26   | 22   | AP8221114     | 33.51   | 16   | GU05107430    | 33.21   | 3    |
| AP8134378 | 33.23   | 18   | AP8221172     | 33.01   | 16   | GU05112830    | 34.47   | 2    |
| AP8134448 | 33.16   | 2    | AP8221172     | 33.18   | 29   | GU05659230    | 33.19   | 10   |
| AP8134640 | 33.26   | 35   | AP8221197     | 33.03   | 5    | GU05730730    | 34.46   | 1    |
| AP8144038 | 33.22   | 31   | AP8221277     | 33.06   | 10   | GU05781630    | 33.16   | 20   |
| AP8144046 | 33.31   | 25   | AP8221297     | 33.23   | 30   | GU05900130    | 33.33   | 6    |
| AP8144071 | 33.23   | 16   | AP8224164     | 33.16   | 3    | GU06740200    | 33.28   | 12   |
| AP8144071 | 34.36   | 23   | AP8224462     | 33.31   | 30   | GU06740400    | 33.28   | 17   |
| AP8144081 | 33.07   | 5    | AP8257609     | 33.33   | 18   | GU06751600    | 33.28   | 5    |
| AP8144146 | 33.07   | 3    | AP8257742     | 33.33   | 16   | GU06751600    | 33.29   | 5    |
| AP8144538 | 33.31   | 7    | AP8257794     | 33.33   | 17   | GU06751601    | 33.29   | 5    |
| AP8144606 | 33.01   | 15   | AP9100477     | 33.06   | 15   | GU10054100    | 34.43   | 12   |
| AP8149034 | 33.16   | 17   | AP9100477     | 33.26   | 31   | GU10214300    | 34.43   | 27   |
| AP8150026 | 33.06   | 19   | CM001928      | 33.07   | 9    | GU10214301    | 34.43   | 27   |
| AP8150044 | 33.06   | 14   | CM001929      | 33.07   | 8    | GU10214302    | 34.43   | 27   |
| AP8150044 | 33.26   | 25   | CM2271024     | 33.31   | 19   | GU10214303    | 34.43   | 27   |
| AP8150115 | 33.06   | 5    | GU00823923140 | 33.03   | 7    | GU10214304    | 34.43   | 27   |
| AP8150115 | 33.26   | 26   | GU00823923140 | 33.22   | 32   | GU10214305    | 34.43   | 27   |
| AP8150137 | 33.06   | 4    | GU00823923140 | 33.51   | 22   | GU10528900    | 34.34   | 15   |
| AP8150248 | 33.16   | 19   | GU00823931055 | 33.28   | 25   | GU10528900    | 34.40   | 13   |
| AP8150349 | 33.32   | 6    | GU00823944050 | 33.12   | 16   | GU10528900    | 34.42   | 23   |



| Code       | N.Tafel | Pos. | Code       | N.Tafel | Pos. | Code       | N.Tafel | Pos. |
|------------|---------|------|------------|---------|------|------------|---------|------|
| GU12003702 | 34.34   | 20   | GU19207220 | 34.42   | 11   | GU23548080 | 34.09   | 8    |
| GU12022600 | 34.10   | 6    | GU19212900 | 34.43   | 15   | GU23548180 | 34.09   | 9    |
| GU12022600 | 34.42   | 24   | GU19213720 | 34.43   | 17   | GU23943410 | 33.08   | 31   |
| GU12087001 | 34.41   | 9    | GU19213760 | 34.41   | 15   | GU27001136 | 34.35   | 7    |
| GU12154200 | 34.34   | 23   | GU19214660 | 34.43   | 11   | GU27004985 | 34.34   | 18   |
| GU12154200 | 34.42   | 12   | GU19215460 | 34.43   | 3    | GU27020820 | 34.37   | 21   |
| GU13021900 | 34.34   | 26   | GU19234600 | 34.44   | 2    | GU27022060 | 34.36   | 19   |
| GU13021900 | 34.36   | 12   | GU19237800 | 34.42   | 13   | GU27037521 | 34.38   | 4    |
| GU14086000 | 34.41   | 10   | GU19327601 | 34.09   | 5    | GU27060860 | 34.37   | 15   |
| GU14086100 | 34.41   | 7    | GU19328801 | 34.09   | 3    | GU27061286 | 34.37   | 13   |
| GU14090201 | 34.41   | 1    | GU19350700 | 34.10   | 22   | GU27061385 | 34.37   | 14   |
| GU14090400 | 34.41   | 2    | GU19351100 | 34.10   | 4    | GU27061585 | 34.37   | 3    |
| GU14217901 | 34.40   | 6    | GU19351900 | 34.10   | 2    | GU27061885 | 34.37   | 17   |
| GU14217901 | 34.42   | 7    | GU19352300 | 34.10   | 23   | GU27062060 | 34.37   | 6    |
| GU14217901 | 34.44   | 17   | GU19353500 | 34.10   | 24   | GU27065660 | 34.37   | 7    |
| GU14609650 | 33.30   | 17   | GU19355200 | 34.10   | 35   | GU27066460 | 34.37   | 9    |
| GU14609650 | 33.31   | 34   | GU19355202 | 34.10   | 36   | GU27066560 | 34.37   | 8    |
| GU14609650 | 33.51   | 24   | GU19355300 | 34.10   | 33   | GU27152885 | 34.34   | 22   |
| GU14615901 | 33.13   | 5    | GU19355301 | 34.10   | 33   | GU27153085 | 34.39   | 14   |
| GU14615901 | 34.09   | 20   | GU19355302 | 34.10   | 33   | GU27210760 | 34.41   | 12   |
| GU14615901 | 34.37   | 5    | GU19355303 | 34.10   | 33   | GU27530510 | 33.08   | 25   |
| GU14616150 | 33.24   | 15   | GU19355304 | 34.10   | 33   | GU27633910 | 33.25   | 4    |
| GU14616150 | 33.25   | 10   | GU19355305 | 34.10   | 33   | GU28157950 | 33.51   | 20   |
| GU14717600 | 33.30   | 7    | GU19355306 | 34.10   | 33   | GU28252060 | 33.02   | 8    |
| GU18144350 | 34.39   | 16   | GU19355307 | 34.10   | 33   | GU28576591 | 33.12   | 23   |
| GU18161150 | 34.39   | 21   | GU19355308 | 34.10   | 33   | GU28576591 | 33.15   | 4    |
| GU18257551 | 33.26   | 8    | GU19355309 | 34.10   | 33   | GU28576591 | 33.28   | 20   |
| GU19001200 | 34.35   | 2    | GU19355320 | 34.10   | 27   | GU28576591 | 34.45   | 13   |
| GU19002020 | 34.35   | 5    | GU19355321 | 34.10   | 27   | GU28742562 | 33.31   | 18   |
| GU19002020 | 34.42   | 16   | GU19355322 | 34.10   | 27   | GU29108550 | 33.51   | 19   |
| GU19003602 | 34.34   | 13   | GU19355323 | 34.10   | 27   | GU29217960 | 34.45   | 7    |
| GU19003800 | 34.34   | 8    | GU19355324 | 34.10   | 27   | GU29711460 | 34.45   | 5    |
| GU19007700 | 34.35   | 10   | GU19355325 | 34.10   | 27   | GU29711960 | 34.45   | 11   |
| GU19007700 | 34.45   | 8    | GU19355326 | 34.10   | 27   | GU29729461 | 33.31   | 2    |
| GU19015020 | 34.34   | 5    | GU19355327 | 34.10   | 27   | GU29732550 | 33.31   | 26   |
| GU19016320 | 34.34   | 9    | GU19355328 | 34.10   | 27   | GU29759150 | 33.18   | 17   |
| GU19017000 | 33.02   | 4    | GU19355329 | 34.10   | 27   | GU30027931 | 33.31   | 32   |
| GU19018920 | 34.39   | 10   | GU19355400 | 34.10   | 21   | GU30103730 | 33.12   | 14   |
| GU19021360 | 34.36   | 18   | GU19355402 | 34.10   | 21   | GU30103730 | 33.51   | 18   |
| GU19021920 | 34.36   | 7    | GU19355404 | 34.10   | 21   | GU30109330 | 33.23   | 24   |
| GU19023700 | 34.36   | 10   | GU19355406 | 34.10   | 21   | GU30525861 | 33.08   | 11   |
| GU19025280 | 33.23   | 5    | GU19355408 | 34.10   | 21   | GU30526761 | 33.08   | 5    |
| GU19025300 | 34.36   | 6    | GU19355410 | 34.10   | 21   | GU30576100 | 33.22   | 19   |
| GU19025460 | 33.23   | 6    | GU19355411 | 34.10   | 21   | GU30577800 | 33.29   | 13   |
| GU19027500 | 34.38   | 15   | GU19355412 | 34.10   | 21   | GU30577800 | 34.47   | 22   |
| GU19030500 | 34.38   | 7    | GU19355413 | 34.10   | 21   | GU30601060 | 33.18   | 25   |
| GU19032080 | 34.38   | 10   | GU19356700 | 34.10   | 30   | GU30602500 | 33.18   | 22   |
| GU19032980 | 34.36   | 17   | GU19356760 | 34.41   | 16   | GU30714201 | 34.45   | 3    |
| GU19032980 | 34.38   | 14   | GU19356801 | 34.10   | 28   | GU30716500 | 33.30   | 3    |
| GU19034000 | 34.38   | 8    | GU19357660 | 34.10   | 25   | GU30729330 | 33.31   | 31   |
| GU19037820 | 34.36   | 8    | GU19547000 | 34.09   | 12   | GU30970200 | 33.33   | 7    |
| GU19045861 | 34.38   | 25   | GU20036020 | 34.38   | 1    | GU31003766 | 34.10   | 8    |
| GU19055700 | 34.38   | 23   | GU20036120 | 34.38   | 2    | GU31003766 | 34.34   | 14   |
| GU19058021 | 34.38   | 19   | GU20085720 | 34.41   | 13   | GU31003766 | 34.40   | 19   |
| GU19058220 | 34.38   | 20   | GU20147710 | 34.39   | 17   | GU31003766 | 34.42   | 26   |
| GU19061063 | 34.37   | 12   | GU20147810 | 34.39   | 3    | GU31016050 | 34.39   | 20   |
| GU19062261 | 34.37   | 4    | GU20148410 | 34.39   | 4    | GU31037015 | 34.38   | 13   |
| GU19065400 | 34.37   | 2    | GU20148610 | 34.39   | 5    | GU31038015 | 34.38   | 5    |
| GU19067700 | 34.37   | 18   | GU20208520 | 34.44   | 9    | GU31045015 | 34.38   | 26   |
| GU19083462 | 34.40   | 2    | GU20352421 | 34.10   | 31   | GU31112965 | 33.22   | 33   |
| GU19146422 | 34.39   | 1    | GU20355121 | 34.10   | 34   | GU31121880 | 33.23   | 9    |
| GU19149800 | 34.39   | 18   | GU23200370 | 34.42   | 10   | GU31150950 | 34.39   | 26   |
| GU19152200 | 34.39   | 11   | GU23211372 | 34.43   | 8    | GU31159050 | 34.39   | 15   |
| GU19201120 | 34.42   | 15   | GU23217800 | 34.38   | 3    | GU31327783 | 34.09   | 2    |
| GU19202320 | 34.42   | 9    | GU23328081 | 34.09   | 7    | GU31438765 | 33.15   | 12   |
| GU19203460 | 34.40   | 11   | GU23442210 | 33.06   | 11   | GU31439565 | 33.13   | 4    |
| GU19206501 | 34.10   | 10   | GU23442210 | 33.26   | 11   | GU31513480 | 33.08   | 20   |

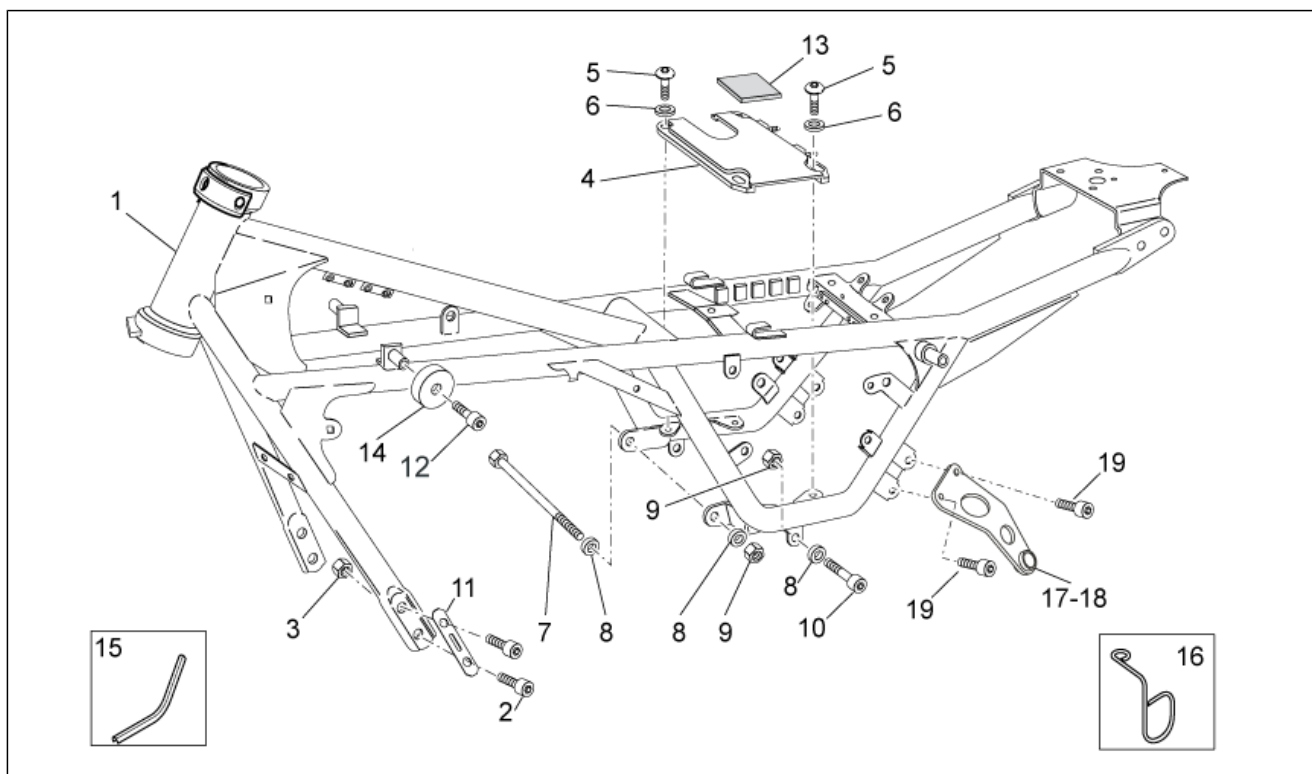


| Code       | N.Tafel | Pos. | Code        | N.Tafel | Pos. | Code       | N.Tafel | Pos. |
|------------|---------|------|-------------|---------|------|------------|---------|------|
| GU31544181 | 34.09   | 15   | GU32214810  | 34.43   | 21   | GU32753760 | 33.29   | 6    |
| GU31547882 | 34.09   | 14   | GU32215010  | 34.43   | 22   | GU32768710 | 34.39   | 8    |
| GU31613381 | 33.25   | 12   | GU32215210  | 34.43   | 23   | GU32768810 | 34.39   | 9    |
| GU31614183 | 33.24   | 9    | GU32231010  | 34.44   | 5    | GU32781910 | 33.16   | 16   |
| GU31615260 | 33.24   | 6    | GU32231210  | 34.44   | 4    | GU32782510 | 33.32   | 2    |
| GU31616384 | 33.24   | 12   | GU32233010  | 34.44   | 6    | GU32909960 | 33.33   | 4    |
| GU31634281 | 33.27   | 4    | GU32234110  | 34.44   | 13   | GU32999010 | 34.34   | 25   |
| GU31634481 | 33.25   | 15   | GU32234410  | 34.44   | 1    | GU32999510 | 34.34   | 24   |
| GU31654681 | 33.27   | 2    | GU32234710  | 34.44   | 11   | GU35214300 | 34.09   | 13   |
| GU31659181 | 33.27   | 11   | GU32234810  | 34.44   | 12   | GU39094200 | 33.18   | 18   |
| GU31659281 | 33.27   | 12   | GU32234910  | 34.44   | 16   | GU39238100 | 34.43   | 25   |
| GU31712365 | 34.45   | 9    | GU32235710  | 34.44   | 14   | GU49609601 | 33.30   | 17   |
| GU31717061 | 33.30   | 9    | GU32236210  | 34.44   | 8    | GU49609601 | 33.31   | 34   |
| GU32001610 | 34.35   | 6    | GU32238210  | 34.44   | 10   | GU53429500 | 33.02   | 3    |
| GU32022110 | 34.36   | 1    | GU32251610  | 33.06   | 8    | GU61027200 | 34.37   | 20   |
| GU32022210 | 34.36   | 2    | GU32350410  | 34.10   | 13   | GU61036801 | 34.36   | 3    |
| GU32032310 | 34.38   | 11   | GU32351410  | 34.10   | 16   | GU61038100 | 34.38   | 6    |
| GU32051710 | 34.38   | 27   | GU32354610  | 34.10   | 18   | GU61054900 | 34.38   | 18   |
| GU32053410 | 34.38   | 16   | GU32418210  | 33.31   | 6    | GU61108500 | 33.22   | 29   |
| GU32054510 | 34.38   | 17   | GU32418260  | 33.01   | 4    | GU61270300 | 34.10   | 26   |
| GU32060110 | 34.37   | 19   | GU32431310  | 33.02   | 9    | GU61270300 | 34.34   | 6    |
| GU32060210 | 34.37   | 10   | GU32432711  | 33.03   | 11   | GU61270300 | 34.36   | 21   |
| GU32060610 | 34.37   | 16   | GU32433011  | 33.03   |      | GU61270300 | 34.40   | 17   |
| GU32060710 | 34.37   | 11   | GU32439260  | 33.51   | 3    | GU66103415 | 33.01   | 14   |
| GU32064110 | 34.37   | 1    | GU32461610  | 33.14   | 2    | GU90271018 | 34.38   | 12   |
| GU32067910 | 34.40   | 5    | GU32506360  | 33.28   | 1    | GU90271117 | 34.43   | 29   |
| GU32080310 | 34.40   | 1    | GU32517710  | 33.31   | 9    | GU90271121 | 34.43   | 19   |
| GU32084410 | 34.40   | 4    | GU32525410  | 33.08   | 10   | GU90271124 | 34.43   | 4    |
| GU32112510 | 34.47   | 1    | GU32526310  | 33.08   | 16   | GU90272023 | 34.09   | 4    |
| GU32112610 | 34.47   | 16   | GU32526610  | 33.08   | 15   | GU90272075 | 34.40   | 3    |
| GU32112611 | 34.47   | 17   | GU32530502  | 33.08   | 13   | GU90274026 | 34.44   | 3    |
| GU32113410 | 33.22   | 17   | GU32530503  | 33.08   | 14   | GU90353009 | 34.36   | 4    |
| GU32113510 | 33.22   | 5    | GU32530504  | 33.08   | 28   | GU90353029 | 34.38   | 24   |
| GU32114011 | 33.22   | 12   | GU32530505  | 33.08   | 22   | GU90353030 | 34.10   | 17   |
| GU32114110 | 33.22   | 9    | GU32530509  | 34.47   | 5    | GU90400616 | 34.41   | 11   |
| GU32114310 | 34.47   | 14   | GU32530610  | 33.08   | 32   | GU90402538 | 33.25   | 6    |
| GU32114410 | 33.22   | 7    | GU32530611  | 33.08   | 33   | GU90402642 | 33.24   | 8    |
| GU32115010 | 34.47   | 3    | GU32555210  | 33.11   | 4    | GU90402841 | 34.42   | 3    |
| GU32115011 | 34.47   | 8    | GU32555211  | 33.11   | 5    | GU90402842 | 34.35   | 9    |
| GU32115510 | 34.47   | 7    | GU32602860  | 33.18   | 28   | GU90403246 | 34.40   | 20   |
| GU32115710 | 34.47   | 4    | GU32603010  | 33.18   | 16   | GU90403251 | 34.10   | 38   |
| GU32116910 | 33.22   | 4    | GU32603310  | 33.18   | 7    | GU90403549 | 34.10   | 3    |
| GU32117010 | 33.18   | 4    | GU32605510  | 33.18   | 2    | GU90407591 | 34.10   | 15   |
| GU32117011 | 33.18   | 5    | GU32611660  | 33.24   | 3    | GU90706009 | 33.51   | 27   |
| GU32120710 | 33.23   | 1    | GU32615660  | 33.24   | 14   | GU90706076 | 34.34   | 29   |
| GU32120711 | 33.23   | 2    | GU32632510  | 33.25   | 17   | GU90706111 | 34.39   | 22   |
| GU32121010 | 33.23   | 7    | GU32633360  | 33.25   | 14   | GU90706140 | 34.42   | 4    |
| GU32121910 | 33.23   | 25   | GU32633560  | 34.10   | 11   | GU90706141 | 33.30   | 16   |
| GU32121911 | 33.23   | 26   | GU32634160  | 33.27   | 5    | GU90706170 | 34.41   | 8    |
| GU32123910 | 33.23   | 3    | GU326358601 | 33.27   | 3    | GU90706188 | 34.10   | 29   |
| GU32128610 | 33.23   | 13   | GU32636160  | 33.25   | 21   | GU90706188 | 34.43   | 18   |
| GU32129010 | 33.23   | 14   | GU32718010  | 34.47   | 18   | GU90706203 | 34.10   | 7    |
| GU32137010 | 33.18   | 13   | GU32724510  | 33.30   | 12   | GU90706203 | 34.42   | 25   |
| GU32159310 | 33.22   | 26   | GU32727010  | 33.23   | 21   | GU90706235 | 34.41   | 14   |
| GU32159610 | 33.22   | 28   | GU32735510  | 33.32   | 5    | GU90706281 | 34.34   | 19   |
| GU32202010 | 34.43   | 28   | GU32735511  | 33.32   | 5    | GU90706444 | 34.34   | 17   |
| GU32206510 | 34.42   | 22   | GU32738810  | 33.18   | 6    | GU90706584 | 34.10   | 37   |
| GU32208210 | 34.42   | 8    | GU32747910  | 33.31   | 10   | GU90714082 | 33.22   | 27   |
| GU32210510 | 34.43   | 1    | GU32750660  | 33.28   | 4    | GU91113826 | 33.23   | 29   |
| GU32211110 | 34.43   | 9    | GU32750660  | 33.29   | 4    | GU91120806 | 33.15   | 6    |
| GU32211410 | 34.43   | 6    | GU32750661  | 33.28   | 4    | GU91180601 | 33.15   | 10   |
| GU32211810 | 34.43   | 5    | GU32750661  | 33.29   | 4    | GU91181003 | 33.18   | 11   |
| GU32212011 | 34.43   | 2    | GU32753410  | 33.28   | 3    | GU91181003 | 33.19   | 18   |
| GU32213610 | 34.43   | 14   | GU32753410  | 33.29   | 8    | GU91551010 | 33.22   | 20   |
| GU32213810 | 34.42   | 5    | GU32753711  | 33.28   | 14   | GU91551086 | 33.14   | 11   |
| GU32214010 | 34.43   | 24   | GU32753711  | 33.29   | 6    | GU91600450 | 34.45   | 10   |
| GU32214510 | 34.43   | 20   | GU32753760  | 33.28   | 14   | GU92201070 | 34.10   | 14   |



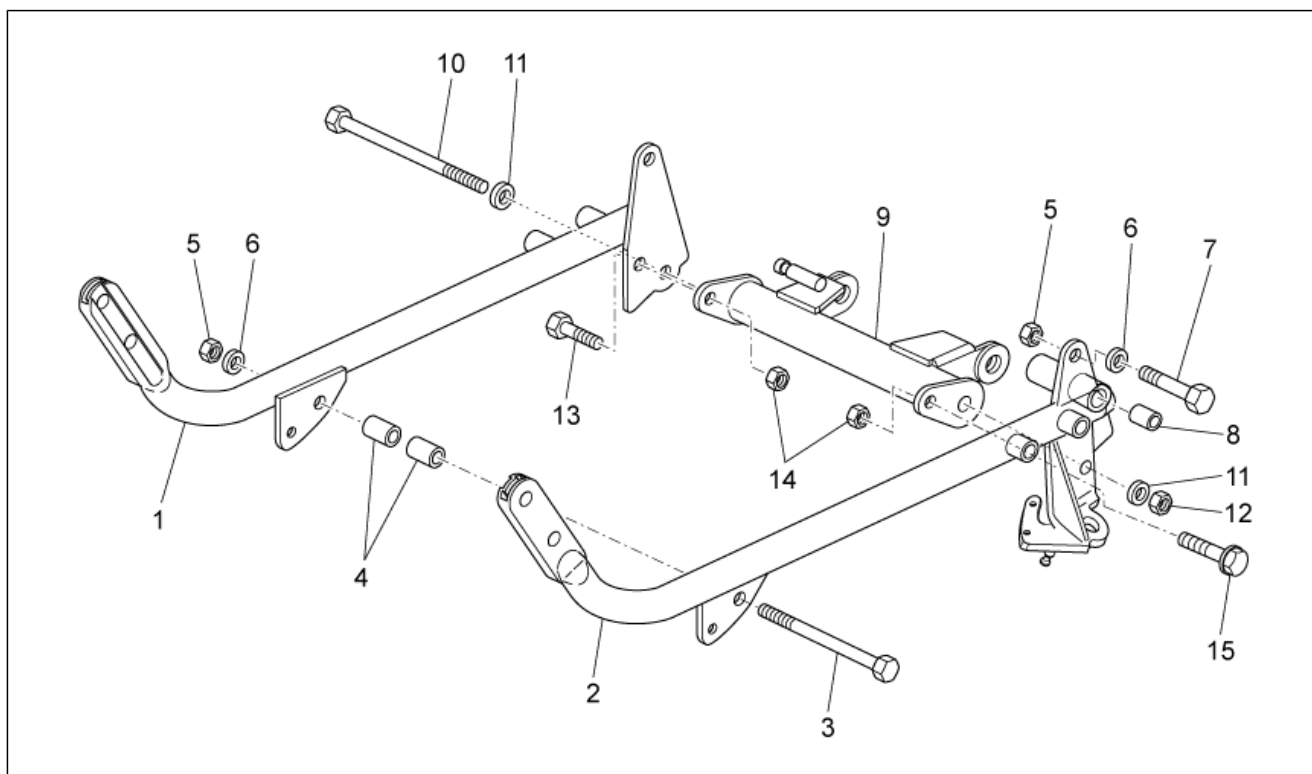
| Code       | N.Tafel | Pos. | Code           | N.Tafel | Pos. | Code       | N.Tafel | Pos. |
|------------|---------|------|----------------|---------|------|------------|---------|------|
| GU92201120 | 34.42   | 20   | GU95005308     | 34.09   | 22   | GU98252420 | 33.06   | 23   |
| GU92201220 | 34.43   | 16   | GU95005311     | 33.51   | 4    | GU98252420 | 33.26   | 32   |
| GU92201225 | 34.40   | 10   | GU95005312     | 33.12   | 10   | GU98257410 | 33.27   | 18   |
| GU92204215 | 34.42   | 2    | GU95005330     | 33.08   | 26   | GU98257410 | 33.51   | 13   |
| GU92204217 | 33.25   | 5    | GU95008204     | 33.30   | 5    | GU98310609 | 34.47   | 11   |
| GU92204218 | 33.25   | 3    | GU95008205     | 33.30   | 15   | GU98350215 | 33.29   | 12   |
| GU92204221 | 33.24   | 7    | GU95008206     | 34.39   | 23   | GU98350312 | 34.44   | 7    |
| GU92218417 | 34.43   | 10   | GU95008208     | 33.01   | 6    | GU98350416 | 33.01   | 5    |
| GU92230320 | 34.43   | 13   | GU95008208     | 34.46   | 3    | GU98350440 | 33.13   | 3    |
| GU92234716 | 34.43   | 26   | GU95008210     | 33.01   | 8    | GU98370412 | 33.19   | 4    |
| GU92249220 | 34.10   | 32   | GU95008210     | 33.02   | 6    | GU98370515 | 33.14   | 17   |
| GU92249225 | 33.07   | 2    | GU95008210     | 34.09   | 17   | GU98370515 | 34.47   | 21   |
| GU92249227 | 34.10   | 20   | GU95008305     | 33.18   | 20   | GU98370520 | 33.12   | 8    |
| GU92251028 | 34.43   | 7    | GU95008306     | 33.19   | 20   | GU98370609 | 33.17   | 2    |
| GU92252210 | 34.39   | 2    | GU95008306     | 33.27   | 21   | GU98370609 | 33.23   | 27   |
| GU92252235 | 34.10   | 5    | GU95020105     | 33.03   | 10   | GU98370616 | 33.12   | 21   |
| GU92296723 | 34.39   | 6    | GU95021104     | 33.19   | 19   | GU98370616 | 33.13   | 9    |
| GU92602406 | 34.38   | 9    | GU95021105     | 33.18   | 21   | GU98370625 | 33.14   | 4    |
| GU92602510 | 34.39   | 19   | GU95021206     | 33.17   | 5    | GU98370625 | 33.26   | 7    |
| GU92603010 | 34.36   | 11   | GU95021206     | 33.28   | 8    | GU98370655 | 33.28   | 7    |
| GU92606206 | 33.17   | 6    | GU95021206     | 33.29   | 10   | GU98370655 | 33.29   | 9    |
| GU92606208 | 34.34   | 7    | GU95100059     | 33.22   | 21   | GU98370831 | 33.15   | 5    |
| GU92606208 | 34.40   | 18   | GU95100059     | 33.26   | 24   | GU98370831 | 33.28   | 22   |
| GU92606210 | 33.01   | 9    | GU95100059     | 33.31   | 14   | GU98612216 | 33.03   | 9    |
| GU92606210 | 33.02   | 5    | GU95100116     | 34.47   | 12   | GU98620335 | 34.39   | 7    |
| GU92606210 | 33.11   | 7    | GU95100125     | 34.45   | 14   | GU98620540 | 33.08   | 18   |
| GU92606210 | 34.09   | 18   | GU95100141     | 33.12   | 22   | GU98680265 | 34.45   | 6    |
| GU92606316 | 33.25   | 16   | GU95100141     | 33.15   | 14   | GU98680330 | 33.08   | 3    |
| GU92606508 | 34.41   | 3    | GU95100141     | 33.28   | 24   | GU98680330 | 34.35   | 4    |
| GU92606512 | 34.42   | 14   | GU95100244     | 34.38   | 29   | GU98680335 | 34.35   | 8    |
| GU92606516 | 34.45   | 4    | GU95100309     | 34.39   | 27   | GU98680335 | 34.42   | 27   |
| GU92630104 | 33.27   | 19   | GU95100602     | 34.39   | 25   | GU98680350 | 33.08   | 30   |
| GU92630104 | 33.51   | 14   | GU95100709     | 34.34   | 21   | GU98680435 | 34.40   | 15   |
| GU92630106 | 33.08   | 27   | GU95129101     | 33.31   | 21   | GU98680435 | 34.42   | 19   |
| GU92630204 | 33.16   | 14   | GU95129115     | 34.38   | 22   | GU98680440 | 33.23   | 17   |
| GU92630206 | 33.26   | 5    | GU95129180     | 34.34   | 27   | GU98680450 | 34.40   | 16   |
| GU92630310 | 33.03   | 6    | GU95129180     | 34.36   | 13   | GU98680545 | 34.09   | 16   |
| GU92630510 | 33.01   | 3    | GU95129181     | 33.11   | 6    | GU98680555 | 33.01   | 10   |
| GU92640508 | 33.23   | 19   | GU95187006     | 34.39   | 13   | GU98682125 | 33.30   | 4    |
| GU92787006 | 33.28   | 6    | GU95401215     | 33.26   | 10   | GU98682212 | 33.30   | 14   |
| GU92787006 | 33.29   | 11   | GU95500222     | 34.41   | 6    | GU98682212 | 33.31   | 13   |
| GU92787008 | 33.15   | 8    | GU95780271     | 34.41   | 5    | GU98682215 | 33.26   | 18   |
| GU92787008 | 34.09   | 19   | GU95963062     | 33.51   | 9    | GU98682314 | 34.42   | 6    |
| GU93110060 | 33.15   | 13   | GU95990023     | 33.51   | 26   | GU98682322 | 34.47   | 9    |
| GU93180105 | 34.09   | 21   | GU96451316     | 33.27   | 15   | GU98682325 | 34.34   | 11   |
| GU93180111 | 33.24   | 13   | GU96451430     | 34.34   | 3    | GU98682325 | 34.35   | 3    |
| GU93180220 | 34.40   | 9    | GU96451560     | 34.34   | 2    | GU98682330 | 34.40   | 14   |
| GU93180245 | 34.36   | 22   | GU96506042     | 34.36   | 5    | GU98682330 | 34.42   | 18   |
| GU93222023 | 33.17   | 4    | GU96508055     | 34.10   | 12   | GU98682414 | 33.01   | 12   |
| GU93231605 | 33.29   | 14   | GU96508055     | 34.34   | 4    | GU98682416 | 33.32   | 7    |
| GU93231605 | 34.47   | 23   | GU96508145     | 34.36   | 20   | GU98682425 | 33.25   | 13   |
| GU93301175 | 33.23   | 20   | GU96510181     | 34.36   | 15   | GU98682530 | 33.01   | 2    |
| GU93301313 | 33.51   | 15   | GU96510214     | 34.36   | 14   | GU98690335 | 33.18   | 27   |
| GU93305057 | 34.47   | 13   | GU97202325     | 33.18   | 26   | GU98692210 | 33.12   | 17   |
| GU93305061 | 33.22   | 6    | GU97202435     | 33.27   | 9    | GU98692318 | 33.11   | 2    |
| GU93305061 | 34.47   | 15   | GU97270212     | 34.47   | 24   | GU98692325 | 33.18   | 9    |
| GU93450127 | 33.28   | 15   | GU973221100027 | 34.47   | 25   | GU98692325 | 34.36   | 16   |
| GU93450127 | 33.29   | 7    | GU98054422     | 34.38   | 28   | GU98692420 | 33.01   | 19   |
| GU93450224 | 33.29   | 3    | GU98082435     | 34.46   | 2    | GU98880540 | 33.28   | 21   |
| GU94321074 | 33.18   | 12   | GU98082565     | 33.02   | 7    | GU98882316 | 34.38   | 21   |
| GU94321079 | 34.39   | 24   | GU98084314     | 34.39   | 12   |            |         |      |
| GU94321099 | 34.09   | 6    | GU98084314     | 34.40   | 12   |            |         |      |
| GU94321105 | 34.41   | 4    | GU98084316     | 34.40   | 7    |            |         |      |
| GU95004210 | 33.31   | 4    | GU98110007     | 33.23   | 23   |            |         |      |
| GU95005306 | 33.17   | 3    | GU98110199     | 33.01   | 7    |            |         |      |
| GU95005306 | 33.23   | 28   | GU98230510     | 33.16   | 4    |            |         |      |
| GU95005308 | 33.28   | 23   | GU98230510     | 33.18   | 19   |            |         |      |

|                     |         |
|---------------------|---------|
| <b>Groep</b>        | FRAME   |
| <b>Code</b>         | 33.01   |
| <b>Beschrijving</b> | Frame l |
| <b>Revisie</b>      | 1       |



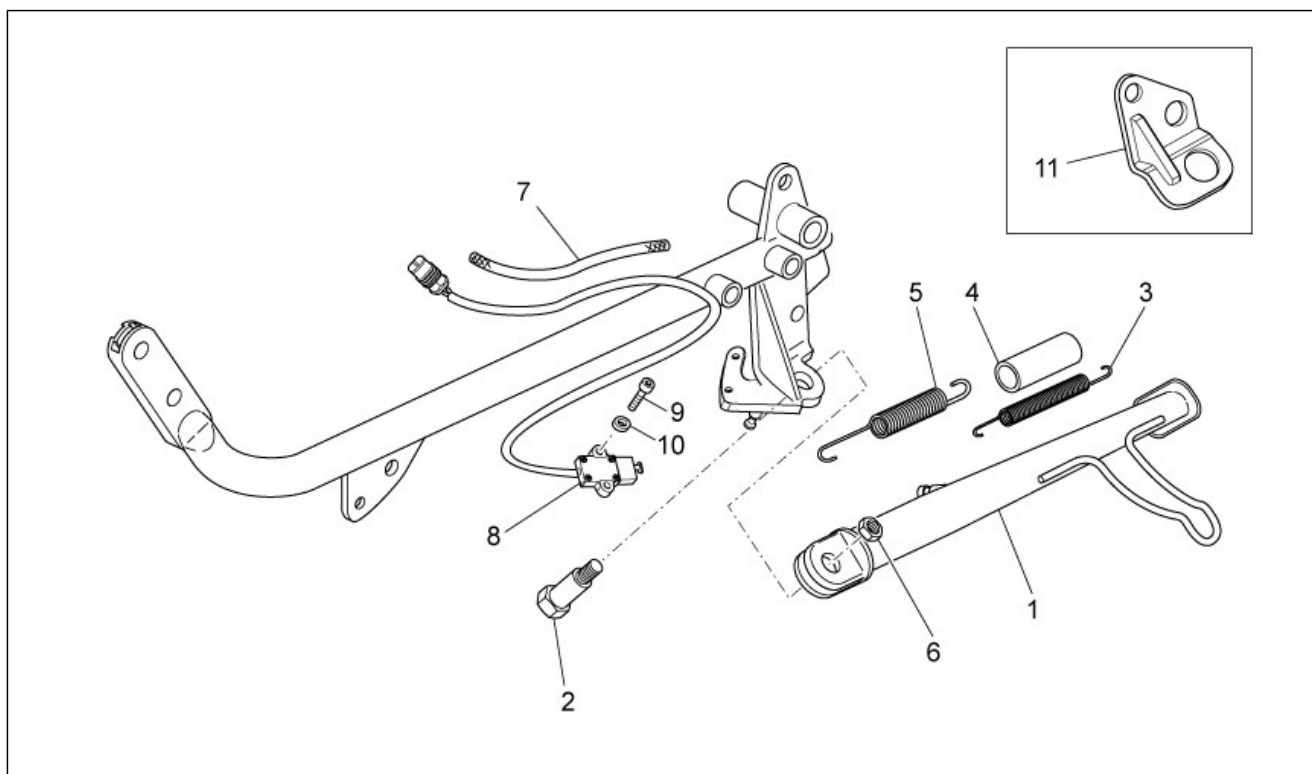
| Pos. | Code       | Beschrijving              | Aant. | Varianten |
|------|------------|---------------------------|-------|-----------|
| 1    | 898082     | Frame v.                  | 1     |           |
| 2    | GU98682530 | Binnenzeskantbout M10x30  | 4     |           |
| 3    | GU92630510 | Moer M10x1,5              | 4     |           |
| 4    | GU32418260 | Plaat accuhouder          | 1     |           |
| 5    | GU98350416 | Bolbout met binnenzeskant | 4     |           |
| 6    | GU95008208 | Sluitring 8,4X15X1,5      | 4     |           |
| 7    | GU98110199 | Pin M10x205               | 1     |           |
| 8    | GU95008210 | Sluitring 10,2X18X2       | 11    |           |
| 9    | GU92606210 | Moer M10x1,5              | 2     |           |
| 10   | GU98680555 | Bout M10x55               | 2     |           |
| 11   | 886645     | Plaatje                   | 2     |           |
| 12   | GU98682414 | Binnenzeskantbout         | 2     |           |
| 13   | GU01103860 | Spons                     | 1     |           |
| 14   | GU66103415 | Rubbertje                 | 2     |           |
| 15   | AP8144606  | Pakking 10X5              | 1     |           |
| 16   | AP8221172  | Kabelgeleider             | 1     |           |
| 17   | 886581     | Plaat re                  | 1     |           |
| 18   | 886582     | Plaat li                  | 1     |           |
| 19   | GU98692420 | Bout                      | 4     |           |

|                     |          |
|---------------------|----------|
| <b>Groep</b>        | FRAME    |
| <b>Code</b>         | 33.02    |
| <b>Beschrijving</b> | Frame II |
| <b>Revisie</b>      | 1        |



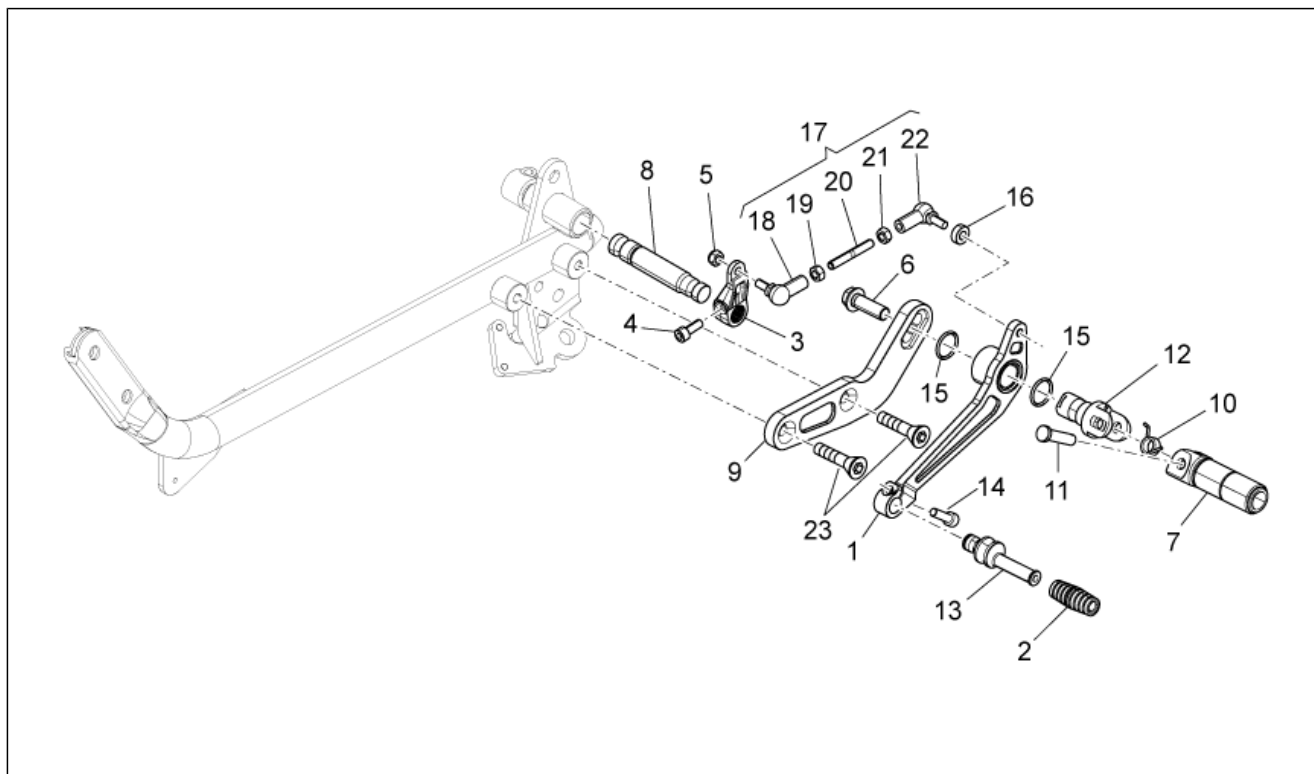
| Pos. | Code       | Beschrijving           | Aant. | Varianten |
|------|------------|------------------------|-------|-----------|
| 1    | 898083     | Steun re               | 1     |           |
| 2    | 898084     | Steun li               | 1     |           |
| 3    | GU53429500 | Pin M10x250            | 1     |           |
| 4    | GU19017000 | Beslagring             | 2     |           |
| 5    | GU92606210 | Moer M10x1,5           | 3     |           |
| 6    | GU95008210 | Sluitring 10,2X18X2    | 3     |           |
| 7    | GU98082565 | Bout M10x65            | 2     |           |
| 8    | GU28252060 | Huls 18 mm est.        | 2     |           |
| 9    | GU32431310 | Balk armen steun       | 1     |           |
| 10   | AP8121367  | Pin M10x260            | 1     |           |
| 11   | AP8152220  | Gekart. sluitring      | 2     |           |
| 12   | AP8150436  | Zelfborg. moer laag    | 1     |           |
| 13   | AP8152287  | Zeskantbout geflenst   | 1     |           |
| 14   | AP8152300  | Zelfborg.bout gefl. M8 | 1     |           |
| 15   | AP8152288  | Zeskantbout geflenst   | 1     |           |

|                     |               |
|---------------------|---------------|
| <b>Groep</b>        | FRAME         |
| <b>Code</b>         | 33.03         |
| <b>Beschrijving</b> | Lateral stand |
| <b>Revisie</b>      | 1             |



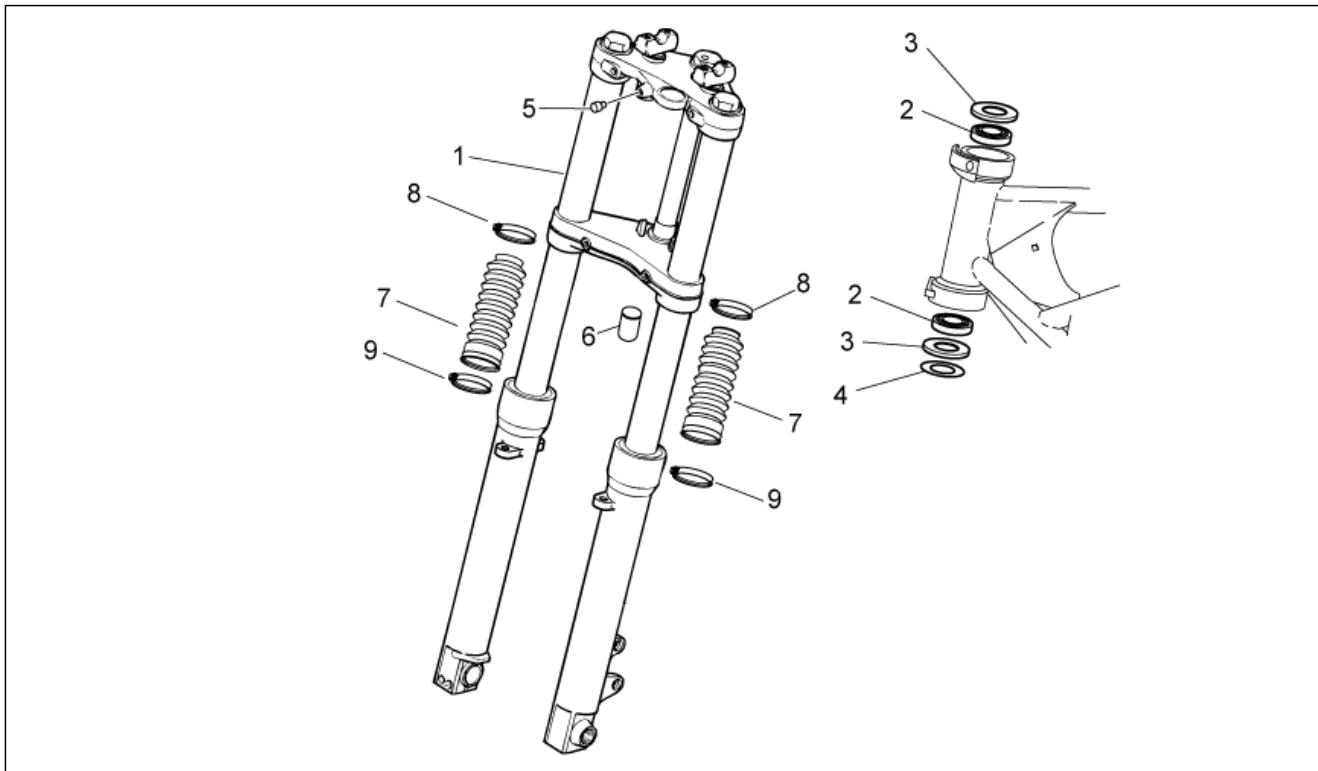
| Pos. | Code          | Beschrijving                | Aant. | Varianten   |
|------|---------------|-----------------------------|-------|---|
|      | GU32433011    | Moer                        | 1     | LAND:Canadian[CA], USA[USA]                                 |
| 1    | 883471        | Zijstandaard zwart          | 1     | LAND:Canadian[CA], USA[USA]                                 |
| 1    | 977088        | Zijstandaard zwart          | 1     | LAND:Australia[AA], europa[EU], Japan[J], Great Britain[UK] |
| 2    | AP8121375     | Bout standaard              | 1     | LAND:Australia[AA], europa[EU], Japan[J], Great Britain[UK] |
| 2    | AP8121607     | Bout standaard              | 1     | LAND:Canadian[CA], USA[USA]                                 |
| 3    | AP8121014     | Spiraalveer cilind.aandr. * | 1     |   |
| 4    | AP8102524     | Bescherming veer standaard  | 1     |   |
| 5    | AP8221197     | Trekveer standaard          | 1     |   |
| 6    | GU92630310    | Moer                        | 1     | LAND:Australia[AA], europa[EU], Japan[J], Great Britain[UK] |
| 7    | GU00823923140 | Thermische gaine            | 1     |   |
| 8    | 639542        | Button for the side stand   | 1     |   |
| 9    | GU98612216    | Binnenzeskantbout           | 2     |   |
| 10   | GU95020105    | Sluitring 5,3x8,9x2,4       | 2     |   |
| 11   | GU32432711    | Plaat                       | 1     | LAND:Canadian[CA], USA[USA]                                 |

|                     |            |
|---------------------|------------|
| <b>Groep</b>        | FRAME      |
| <b>Code</b>         | 33.06      |
| <b>Beschrijving</b> | Gear lever |
| <b>Revisie</b>      | 1          |



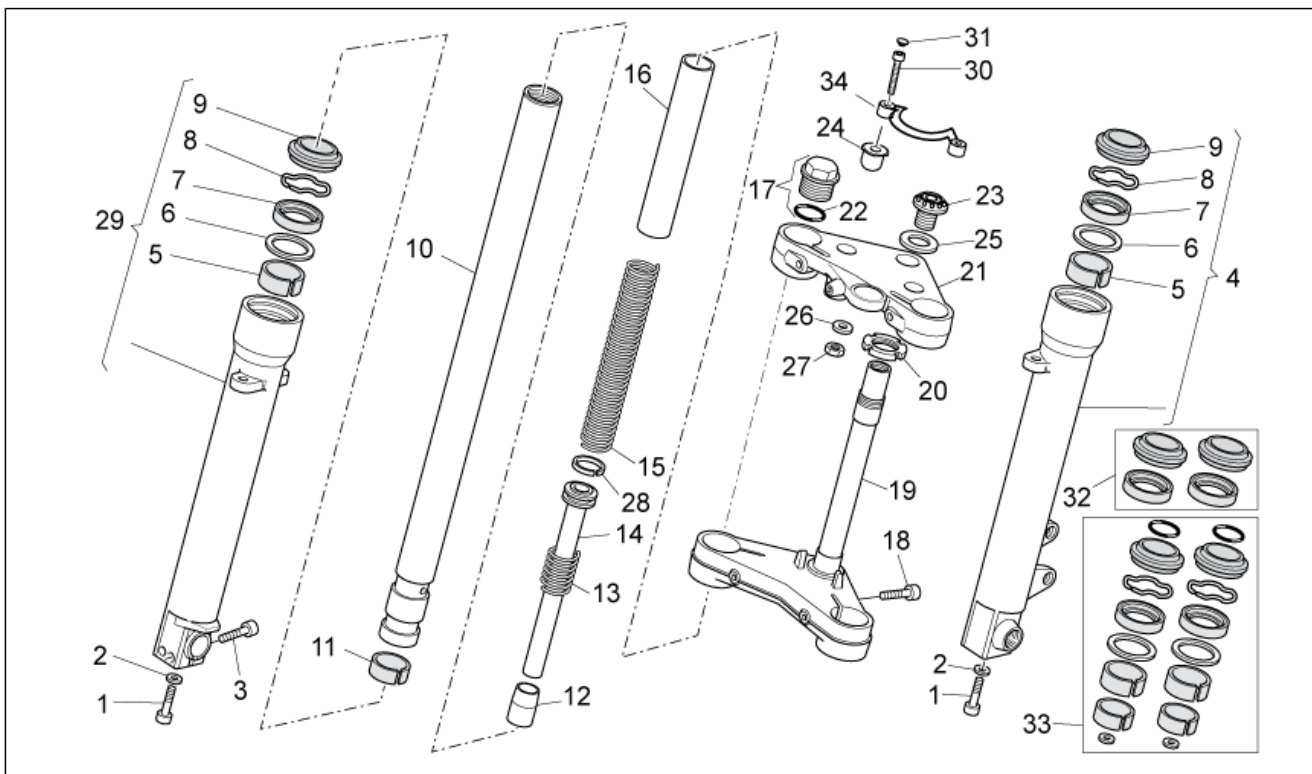
| Pos. | Code       | Beschrijving                              | Aant. | Varianten |
|------|------------|---|-------|-----------|
| 1    | 898282     | Versnellingshendel                        | 1     |           |
| 2    | AP8120912  | Rubbetje voor hendel                      | 1     |           |
| 3    | 898283     | Hendel voorschakelaar                     | 1     |           |
| 4    | AP8150137  | Binnenzeskantbout                         | 1     |           |
| 5    | AP8150115  | Zelfborg. moer laag M6                    | 1     |           |
| 6    | AP8152320  | Zeskantbout geflenst                      | 1     |           |
| 7    | 898281     | Voetensteun bestuurder re                 | 1     |           |
| 8    | GU32251610 | Pin hendel                                | 1     |           |
| 9    | 898284     | Piastra pedana pilota                     | 1     |           |
| 10   | AP8221277  | Trekveer voetensteun                      | 1     |           |
| 11   | GU23442210 | Pin                                       | 1     |           |
| 12   | 898611     | Steun voetenst. bestuurder li             | 1     |           |
| 13   | 886665     | Pin                                       | 1     |           |
| 14   | AP8150044  | Binnenzeskantbout M6x20                   | 1     |           |
| 15   | AP9100477  | O-ring 18x2                               | 2     |           |
| 16   | 886668     | Afstandhouder                             | 1     |           |
| 17   | 887280     | Tirante comando cambio                    | 1     |           |
| 18   | AP8210007  | Sfeervormig buigpunt re M6                | 1     |           |
| 19   | AP8150026  | Moer                                      | 1     |           |
| 20   | 856796     | Staaft overbrenging versnellingsbak       | 1     |           |
| 21   | AP8152138  | Moer                                      | 1     |           |
| 22   | AP8110053  | Sfeervormig buigpunt li M6                | 1     |           |
| 23   | GU98252420 | Binnenzeskantbout met verzonken kop M8x20 | 2     |           |

|                     |              |
|---------------------|--------------|
| <b>Groep</b>        | FRAME        |
| <b>Code</b>         | 33.07        |
| <b>Beschrijving</b> | Front fork I |
| <b>Revisie</b>      | 1            |



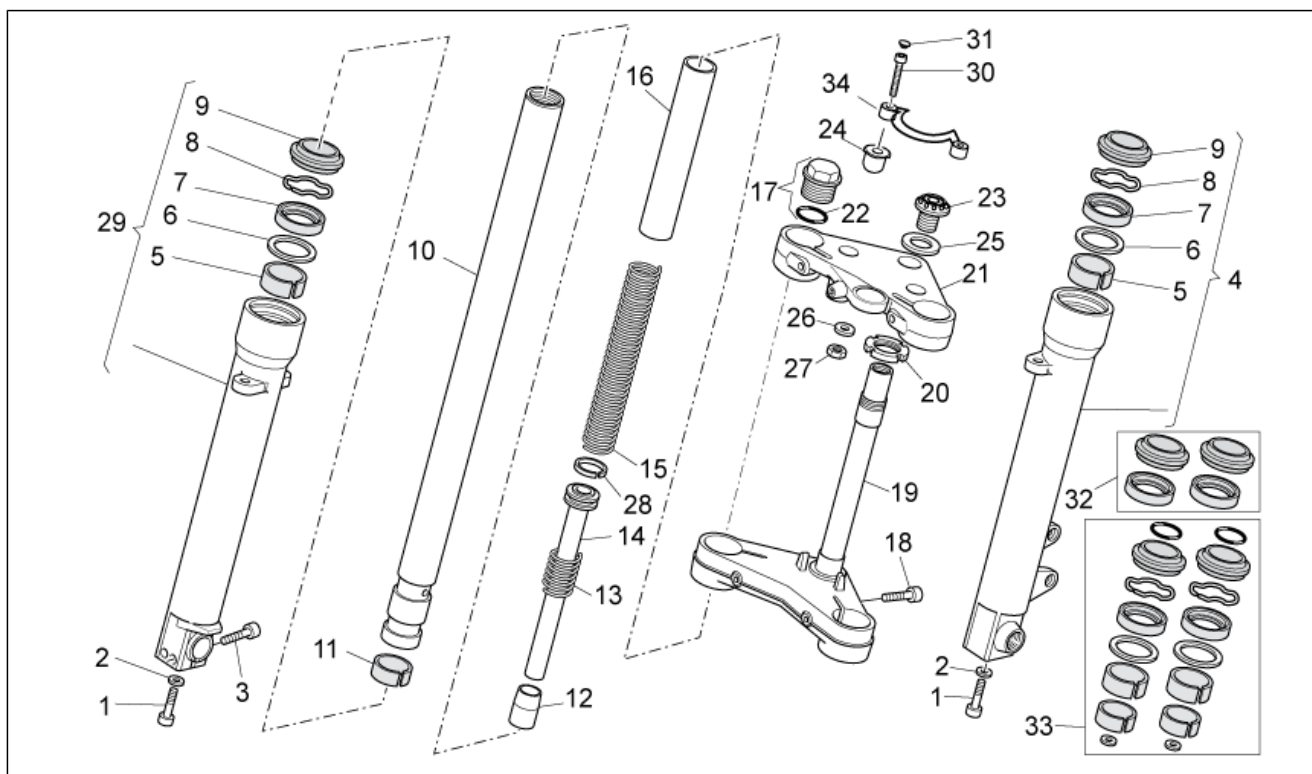
| Pos. | Code       | Beschrijving         | Aant. | Varianten |
|------|------------|----------------------|-------|-----------|
| 1    | 886677     | Voorvork cpl.        | 1     |           |
| 2    | GU92249225 | Conische kogellager  | 2     |           |
| 3    | AP8144146  | Dichtingsring        | 1     |           |
| 4    | AP8121307  | Sluitring            | 1     |           |
| 5    | AP8144081  | Rubbertje            | 1     |           |
| 6    | AP8220460  | Plaatje in rubber    | 1     |           |
| 7    | 898086     | Blower vork          | 7     |           |
| 8    | CM001929   | Klembandje buis 36.5 | 2     |           |
| 9    | CM001928   | Klembandje buis 44   | 2     |           |

|                     |               |
|---------------------|---------------|
| <b>Groep</b>        | FRAME         |
| <b>Code</b>         | 33.08         |
| <b>Beschrijving</b> | Front fork II |
| <b>Revisie</b>      | 1             |



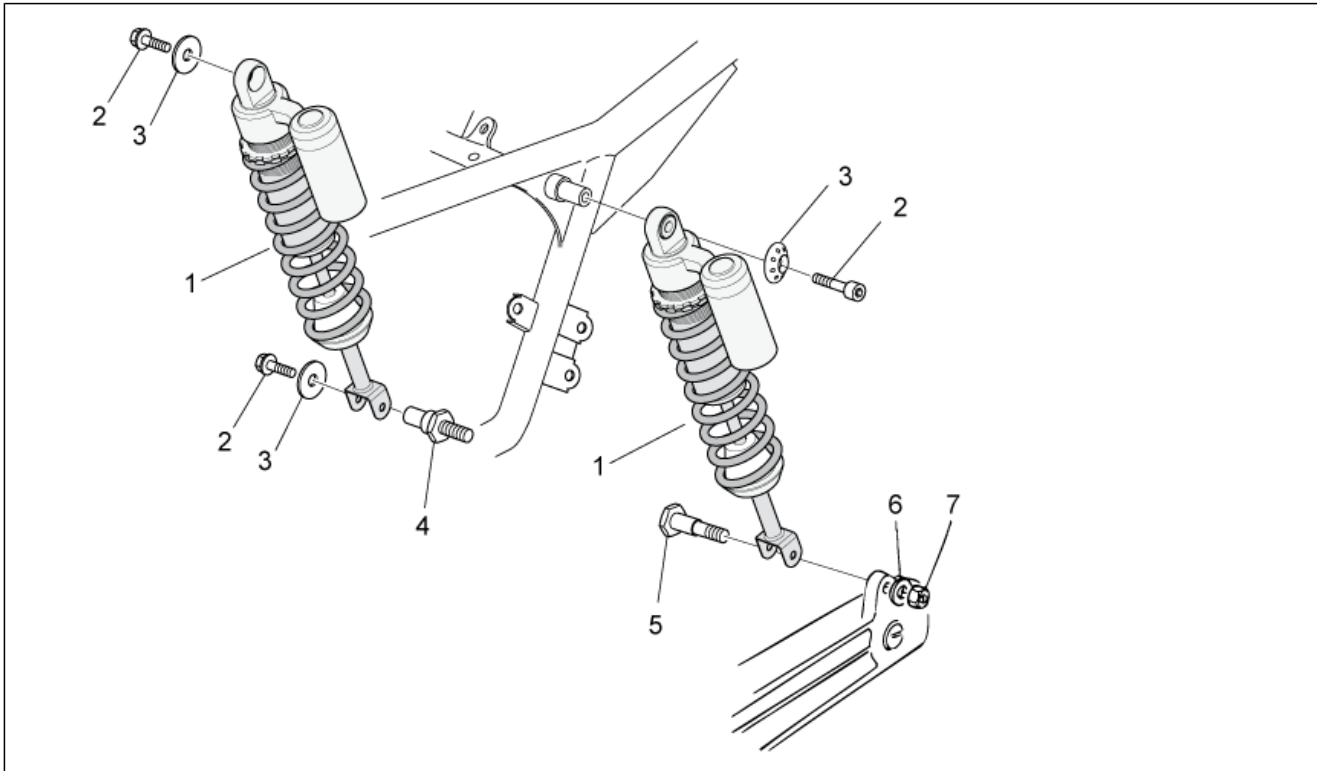
| Pos. | Code       | Beschrijving                         | Aant. | Varianten |
|------|------------|--------------------------------------|-------|-----------|
| 1    | GU03530530 | Bout M10x30                          | 2     |           |
| 2    | GU03530529 | Sluitring                            | 2     |           |
| 3    | GU98680330 | Binnenzeskantbout M6x30              | 2     |           |
| 4    | 978978     | Huls li cpl. Black                   | 1     |           |
| 5    | GU30526761 | Huls bov.                            | 2     |           |
| 6    | 599504     | Plaatje geleiderhuls (Marzocchi)     | 2     |           |
| 7    | 599501     | Dichtingsring (Marzocchi)            | 2     |           |
| 8    | 599503     | Blokkeerring (Marzocchi)             | 2     |           |
| 9    | 599502     | Stofkeerring met veertje (Marzocchi) | 2     |           |
| 10   | GU32525410 | Stang                                | 2     |           |
| 11   | GU30525861 | Huls ond.                            | 2     |           |
| 12   | GU03530551 | Buffer                               | 2     |           |
| 13   | GU32530502 | Tegenveer                            | 2     |           |
| 14   | GU32530503 | Pompend deel cpl.                    | 2     |           |
| 15   | GU32526610 | Veer                                 | 2     |           |
| 16   | GU32526310 | Buis                                 | 2     |           |
| 17   | 886684     | Dop cpl.                             | 2     |           |
| 18   | GU98620540 | Bout                                 | 2     |           |
| 19   | 978974     | Basis met kop Black                  | 1     |           |
| 20   | GU31513480 | Moer M25X1                           | 1     |           |
| 21   | 886842     | Plaat bov.vork                       | 1     |           |
| 22   | GU32530505 | OR-ring 4118                         | 2     |           |
| 23   | 883498     | Huls bevest. plaat bov.              | 1     |           |
| 24   | 883552     | Huls                                 | 2     |           |
| 25   | GU27530510 | Sluitring                            | 2     |           |
| 26   | GU95005330 | Sluitring 6,4x30x1,5                 | 2     |           |
| 27   | GU92630106 | Moer M6x1                            | 2     |           |
| 28   | GU32530504 | Segment                              | 2     |           |

|                     |               |
|---------------------|---------------|
| <b>Groep</b>        | FRAME         |
| <b>Code</b>         | 33.08         |
| <b>Beschrijving</b> | Front fork II |
| <b>Revisie</b>      | 1             |



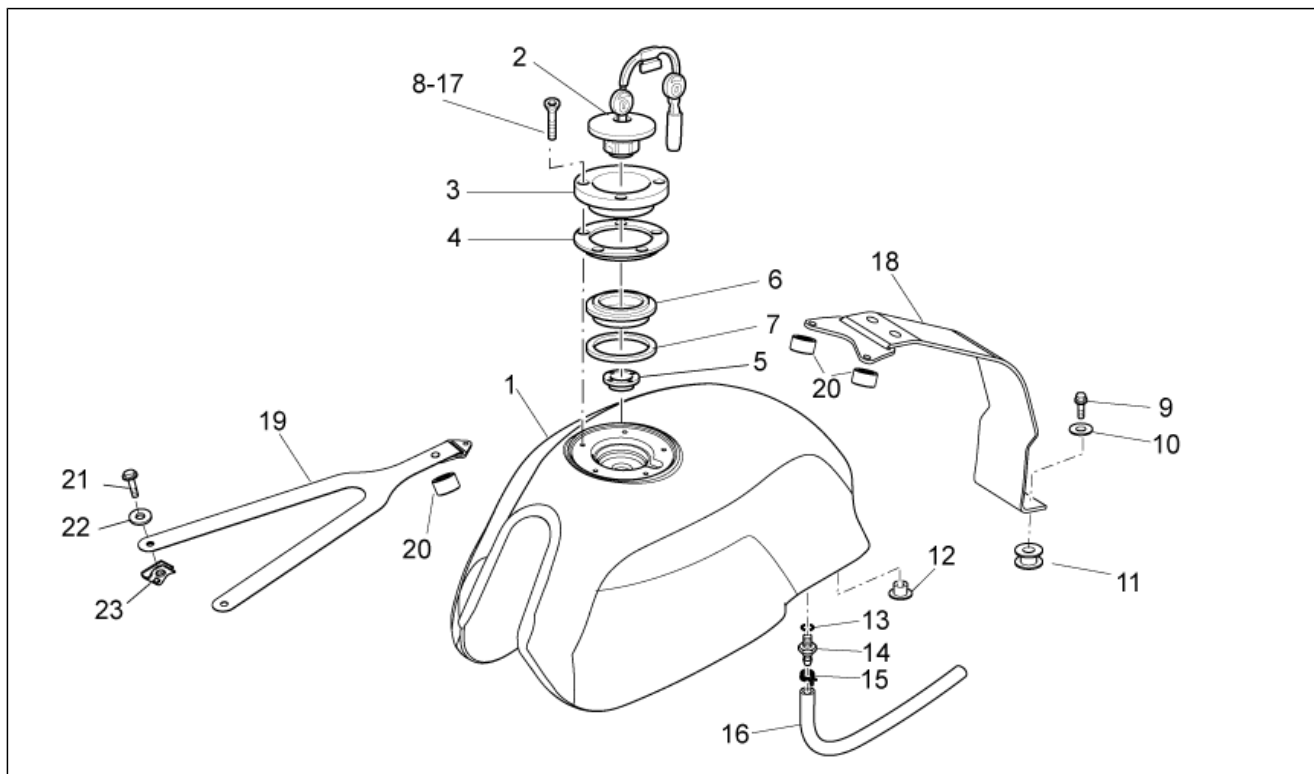
| Pos. | Code       | Beschrijving            | Aant. | Varianten |
|------|------------|-------------------------|-------|-----------|
| 29   | 978977     | Huls re cpl.            | 1     |           |
| 30   | GU98680350 | Binnenzeskantbout M6x50 | 2     |           |
| 31   | GU23943410 | Dop verchr.             | 8     |           |
| 32   | GU32530610 | Kit pakkingen           | 1     |           |
| 33   | GU32530611 | Kit oliekeerringen      | 1     |           |
| 34   | 883602     | Buisje                  | 1     |           |

|                     |                     |
|---------------------|---------------------|
| <b>Groep</b>        | FRAME               |
| <b>Code</b>         | 33.11               |
| <b>Beschrijving</b> | Rear shock absorber |
| <b>Revisie</b>      | 1                   |



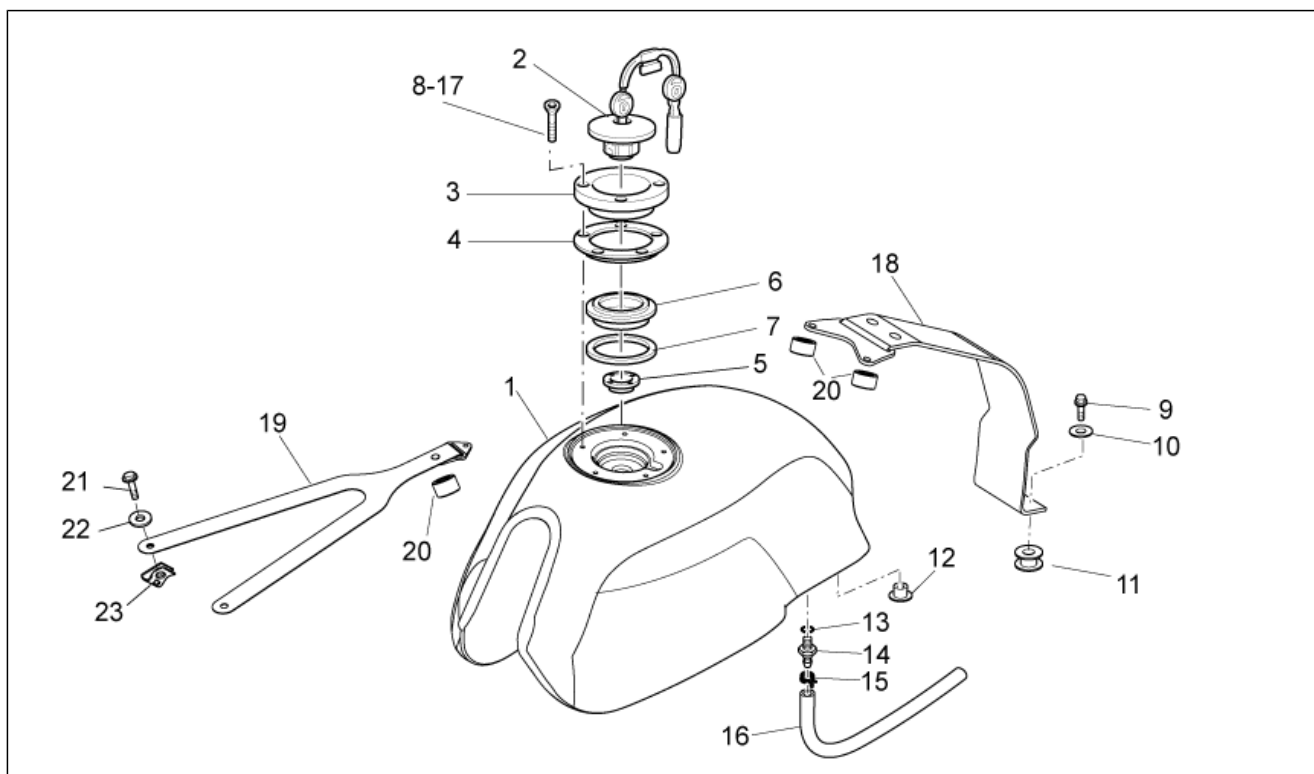
| Pos. | Code       | Beschrijving      | Aant. | Varianten |
|------|------------|-------------------|-------|-----------|
| 1    | 886675     | Schokdemper acht. | 2     |           |
| 2    | GU98692318 | Binnenzeskantbout | 3     |           |
| 3    | 886630     | ***BUSH           | 3     |           |
| 4    | GU32555210 | Pin               | 1     |           |
| 5    | GU32555211 | Pin               | 1     |           |
| 6    | GU95129181 | Sluitring gegolfd | 1     |           |
| 7    | GU92606210 | Moer M10x1,5      | 1     |           |

|                     |           |
|---------------------|-----------|
| <b>Groep</b>        | FRAME     |
| <b>Code</b>         | 33.12     |
| <b>Beschrijving</b> | Fuel tank |
| <b>Revisie</b>      | 1         |



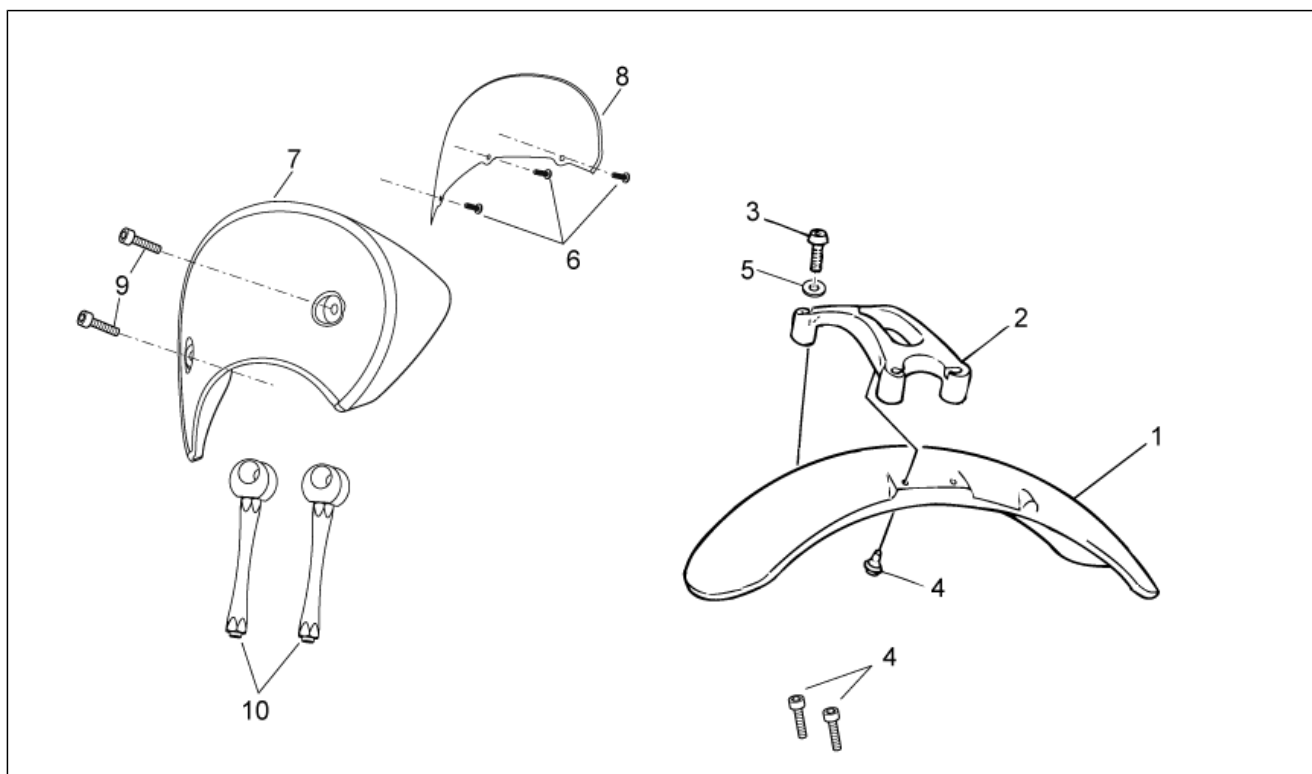
| Pos. | Code          | Beschrijving              | Aant. | Varianten   |
|------|---------------|---------------------------|-------|---|
| 1    | 883469        | Brandstoftank ruw         | 1     | LAND:Canadian[CA], USA[USA]   |
| 1    | 887205        | Tank zwart                | 1     | LAND:Canadian[CA], USA[USA]<br>Technical specification:Decal[D]   |
| 1    | 887445        | Tank zwart                | 1     | Kleur van het voertuig: Black[Black]<br>LAND:Japan[J]   |
| 1    | 898172        | Serbatoio cromato         | 1     | Kleur van het voertuig:Chromed[CR]<br>LAND:Australia[AA], europa[EU], Japan[J], Great Britain[UK]<br>Technical specification:Decal[D] |
| 1    | 978928        | Brandstoftank ruw         | 1     | LAND:Australia[AA], europa[EU], Japan[J], Great Britain[UK]   |
| 2    | 883185        | Tankdop                   | 1     | LAND:Australia[AA], europa[EU], Japan[J], Great Britain[UK]   |
| 2    | 883476        | Tankdop                   | 1     | LAND:Canadian[CA], USA[USA]   |
| 3    | 886369        | Flens brandstoftank       | 1     |   |
| 4    | 883193        | Pakking                   | 1     |   |
| 5    | GU03101720    | Reductie 38 mm            | 1     |   |
| 6    | GU03102200    | Moer dop                  | 1     |   |
| 7    | GU03101600    | Pakking                   | 1     |   |
| 8    | GU98370520    | Bolbout met binnenzeskant | 3     |   |
| 9    | AP8152291     | Zeskantbout geflenst      | 1     |   |
| 10   | GU95005312    | Sluitring 8,5x24x2        | 1     |   |
| 11   | GU02107100    | Rubbetje                  | 1     |   |
| 12   | 883252        | Afstandhouder             | 1     |   |
| 13   | AP8120965     | OR-ring 2018              | 1     |   |
| 14   | GU30103730    | Verbinding                | 1     |   |
| 15   | AP8101595     | Klemmetje D10,1*          | 1     |   |
| 16   | GU00823944050 | Buis 5X9                  | 1     |   |
| 17   | GU98692210    | Binnenzeskantbout         | 2     |   |
| 18   | 886617        | Cinghia post.             | 1     |   |

|                     |           |
|---------------------|-----------|
| <b>Groep</b>        | FRAME     |
| <b>Code</b>         | 33.12     |
| <b>Beschrijving</b> | Fuel tank |
| <b>Revisie</b>      | 1         |



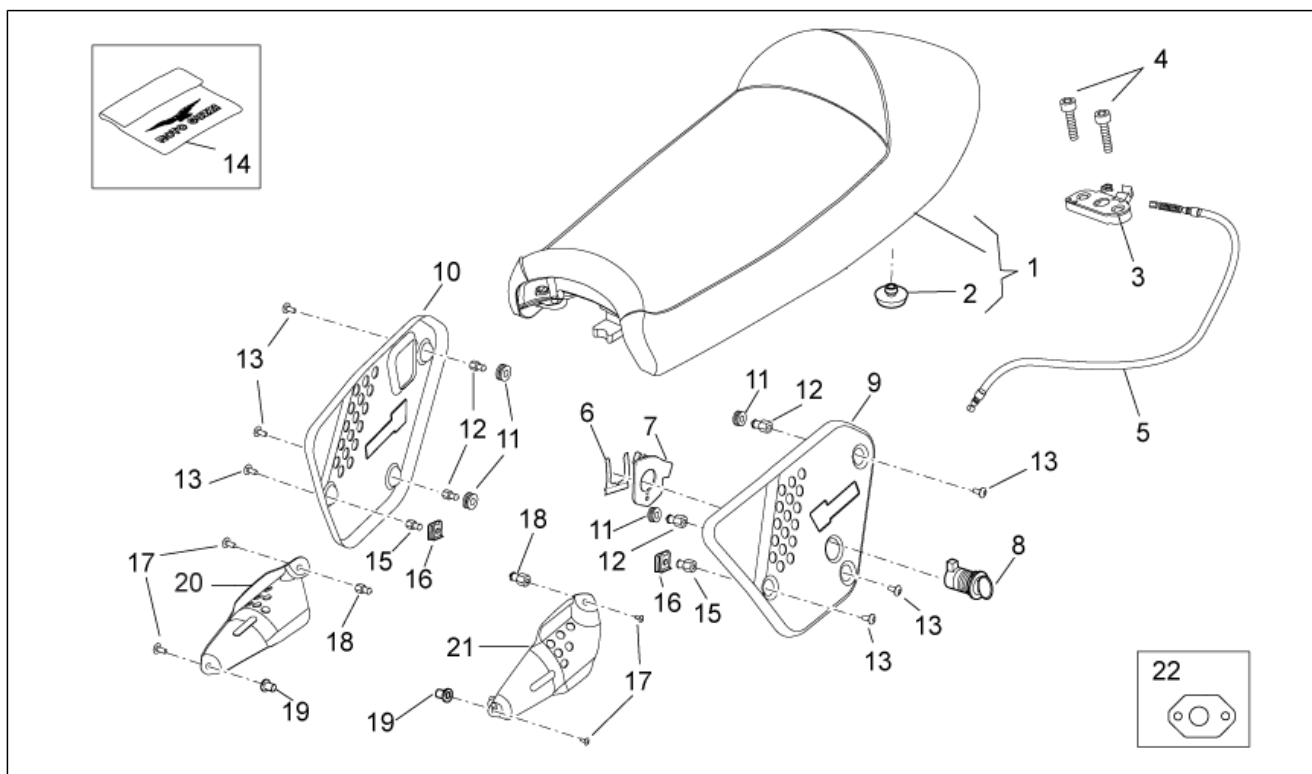
| Pos. | Code       | Beschrijving                   | Aant. | Varianten |
|------|------------|--------------------------------|-------|-----------|
| 19   | 886625     | cinghia ant.                   | 1     |           |
| 20   | 886370     | Huls afstandhouder 5.5x9.5x5.5 | 3     |           |
| 21   | GU98370616 | Bolbout met binnenzeskant      | 2     |           |
| 22   | GU95100141 | Sluitring 6,4x12x1,2           | 2     |           |
| 23   | GU28576591 | Clip M6                        | 2     |           |

|                     |                             |
|---------------------|-----------------------------|
| <b>Groep</b>        | FRAME                       |
| <b>Code</b>         | 33.13                       |
| <b>Beschrijving</b> | Front body - Front mudguard |
| <b>Revisie</b>      | 1                           |



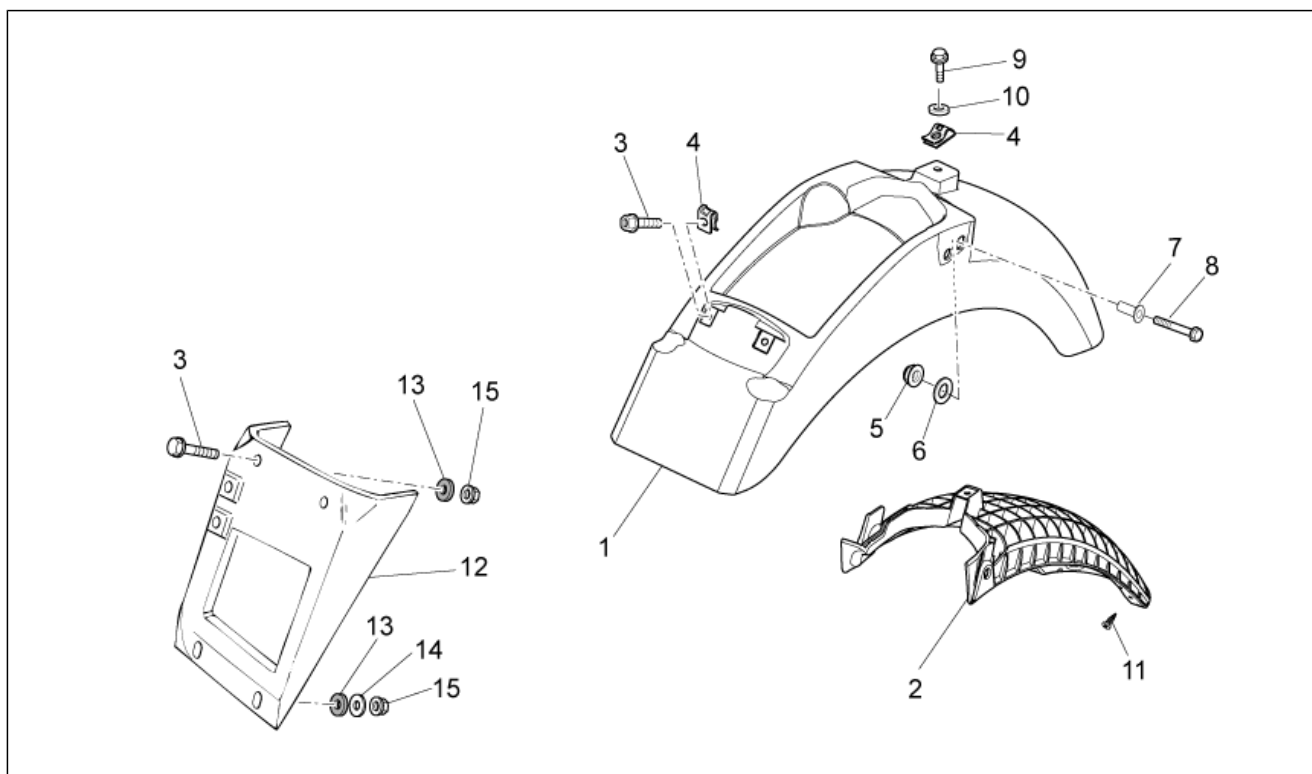
| Pos. | Code        | Beschrijving              | Aant. | Varianten                               |
|------|-------------|---------------------------|-------|---|
| 1    | 88673000Y02 | Spatbord voor.v.zwart     | 1     |   |
| 2    | 886784      | Stabiliseerplaat          | 1     |   |
| 3    | GU98350440  | Bout                      | 4     |   |
| 4    | GU31439565  | Bout                      | 4     |   |
| 5    | GU14615901  | Sluitring 8,4X13X0,8      | 4     |   |
| 6    | AP8150413   | Zelftap. bout 3,9x14      | 3     |   |
| 7    | 88673100Y02 | Kapje v.zwart             | 1     | <b>Technical specification:Decal[D]</b> |
| 7    | 898179      | Kapje ruw                 | 1     |   |
| 8    | 898180      | Glas kapje                | 1     |   |
| 9    | GU98370616  | Bolbout met binnenzeskant | 2     |   |
| 10   | 886724      | Steun kapje               | 2     |   |

|                     |                    |
|---------------------|--------------------|
| <b>Groep</b>        | FRAME              |
| <b>Code</b>         | 33.14              |
| <b>Beschrijving</b> | Saddle-Central bod |
| <b>Revisie</b>      | 1                  |



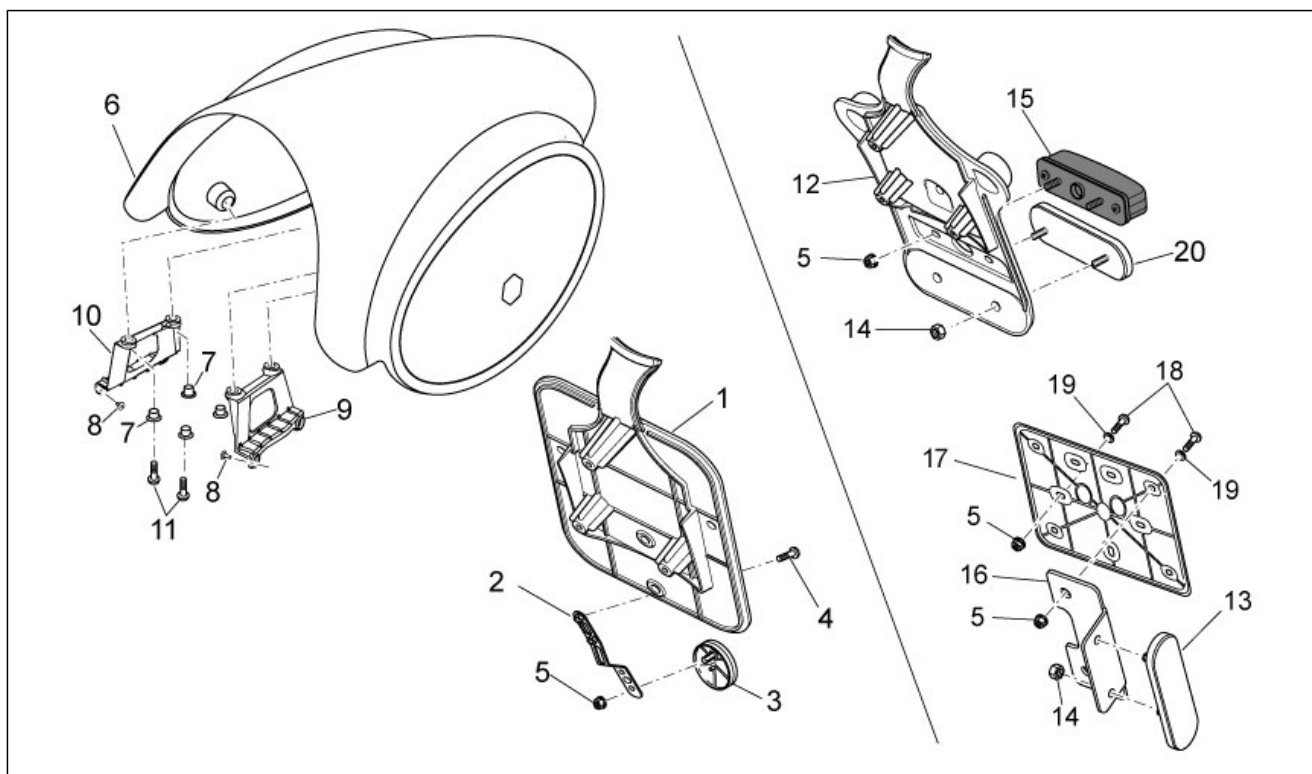
| Pos. | Code       | Beschrijving                | Aant. | Varianten                             |
|------|------------|-----------------------------|-------|---------------------------------------|
| 1    | 898178     | Zadel                       | 1     |                                       |
| 2    | GU32461610 | Rubbetje                    | 10    |                                       |
| 3    | AP8102913  | Koppelingsplaat zadel pass. | 1     |                                       |
| 4    | GU98370625 | Bolbout met binnenzeskant   | 2     |                                       |
| 5    | 883295     | Kabel slot zadel            | 1     |                                       |
| 6    | AP8121420  | Vorkveer                    | 1     |                                       |
| 7    | 978415     | Plaatje steun kabel         | 1     |                                       |
| 8    | 977527     | Zadelslot                   | 1     |                                       |
| 9    | 898278     | Zijplaatje li               | 1     | Technical specification:No decals[ND] |
| 10   | 898277     | Zijplaatje re               | 1     | Technical specification:No decals[ND] |
| 11   | GU91551086 | Rubbetje                    | 4     |                                       |
| 12   | 886368     | Bevestigingspin             | 4     |                                       |
| 13   | 896174     | Bolbout met binnenzeskant   | 6     |                                       |
| 14   | 886841     | sacchetto prot. sella       | 1     |                                       |
| 15   | 886706     | Bevestigingspin             | 2     |                                       |
| 16   | 254485     | Spring plate M6             | 2     |                                       |
| 17   | GU98370515 | Bout                        | 4     |                                       |
| 18   | AP8120531  | Rubbetje met inzetstuk *    | 2     |                                       |
| 19   | 886727     | Bevestigingspin             | 2     |                                       |
| 20   | 898270     | coprifarfalla DX            | 1     |                                       |
| 21   | 898271     | coprifarfalla SX            | 1     |                                       |
| 22   | 886820     | Plaatje slot zadel          | 1     |                                       |

|                     |                       |
|---------------------|-----------------------|
| <b>Groep</b>        | FRAME                 |
| <b>Code</b>         | 33.15                 |
| <b>Beschrijving</b> | Rear body I- Mudguard |
| <b>Revisie</b>      | 1                     |



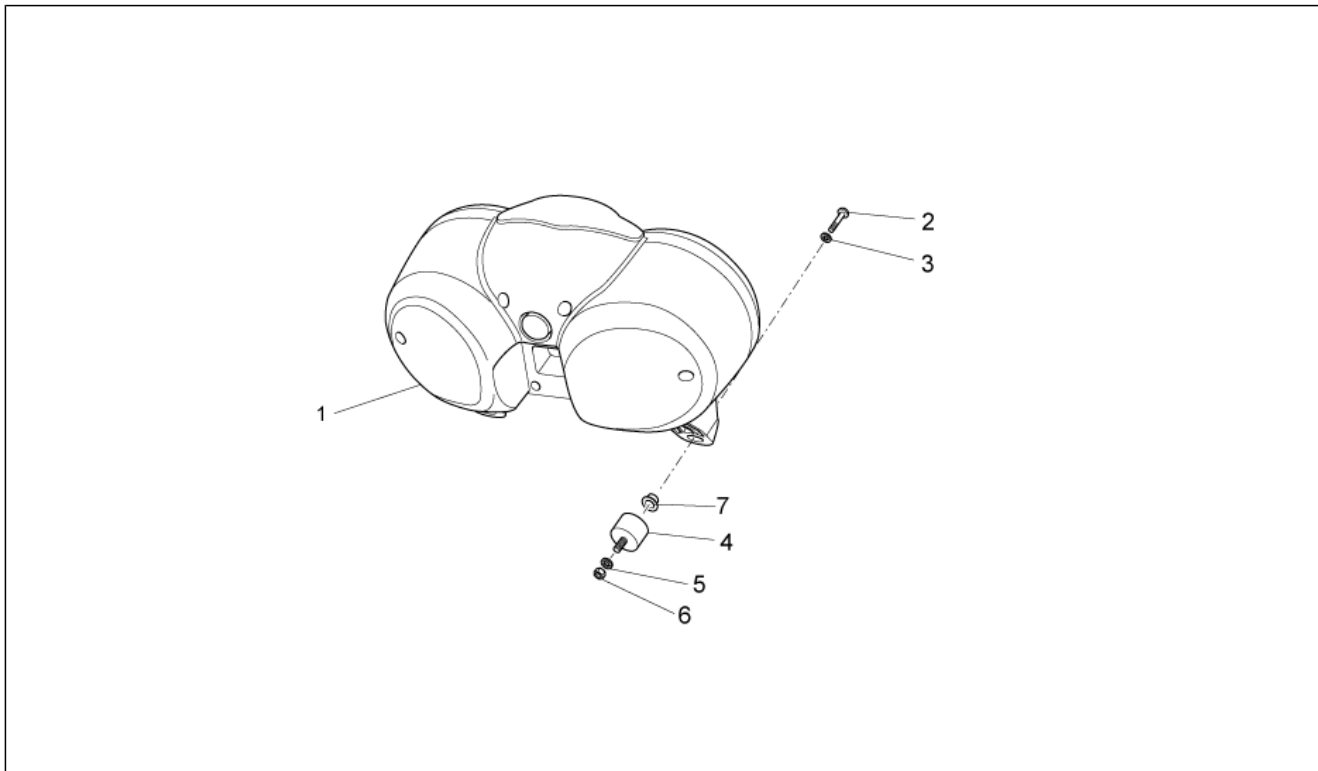
| Pos. | Code        | Beschrijving                    | Aant. | Varianten |
|------|-------------|---------------------------------|-------|-----------|
| 1    | 97894600Y02 | Spatbord acht.zwart             | 1     |           |
| 2    | 978947      | Versterking                     | 1     |           |
| 3    | AP8152278   | Zeskantbout geflenst M6x16      | 4     |           |
| 4    | GU28576591  | Clip M6                         | 3     |           |
| 5    | GU98370831  | Bolbout met binnenzeskant M8x30 | 2     |           |
| 6    | GU91120806  | Afstandhouder                   | 2     |           |
| 7    | GU03270300  | Sluitring 8,4x15                | 2     |           |
| 8    | GU92787008  | Moer blind M8x1,25              | 2     |           |
| 9    | AP8152279   | Zeskantbout geflenst M6x20      | 2     |           |
| 10   | GU91180601  | Afstandhouder 6,2x8x3           | 2     |           |
| 11   | AP8152329   | Bout SWP kruiskop gefl. M5x20   | 3     |           |
| 12   | GU31438765  | Spatbordjes                     | 1     |           |
| 13   | GU93110060  | Rubbetje                        | 4     |           |
| 14   | GU95100141  | Sluitring 6,4x12x1,2            | 2     |           |
| 15   | AP8152299   | Zelfborg.bout gefl. M6          | 4     |           |

|                     |                            |
|---------------------|----------------------------|
| <b>Groep</b>        | FRAME                      |
| <b>Code</b>         | 33.16                      |
| <b>Beschrijving</b> | Rear body II- Plate holder |
| <b>Revisie</b>      | 1                          |



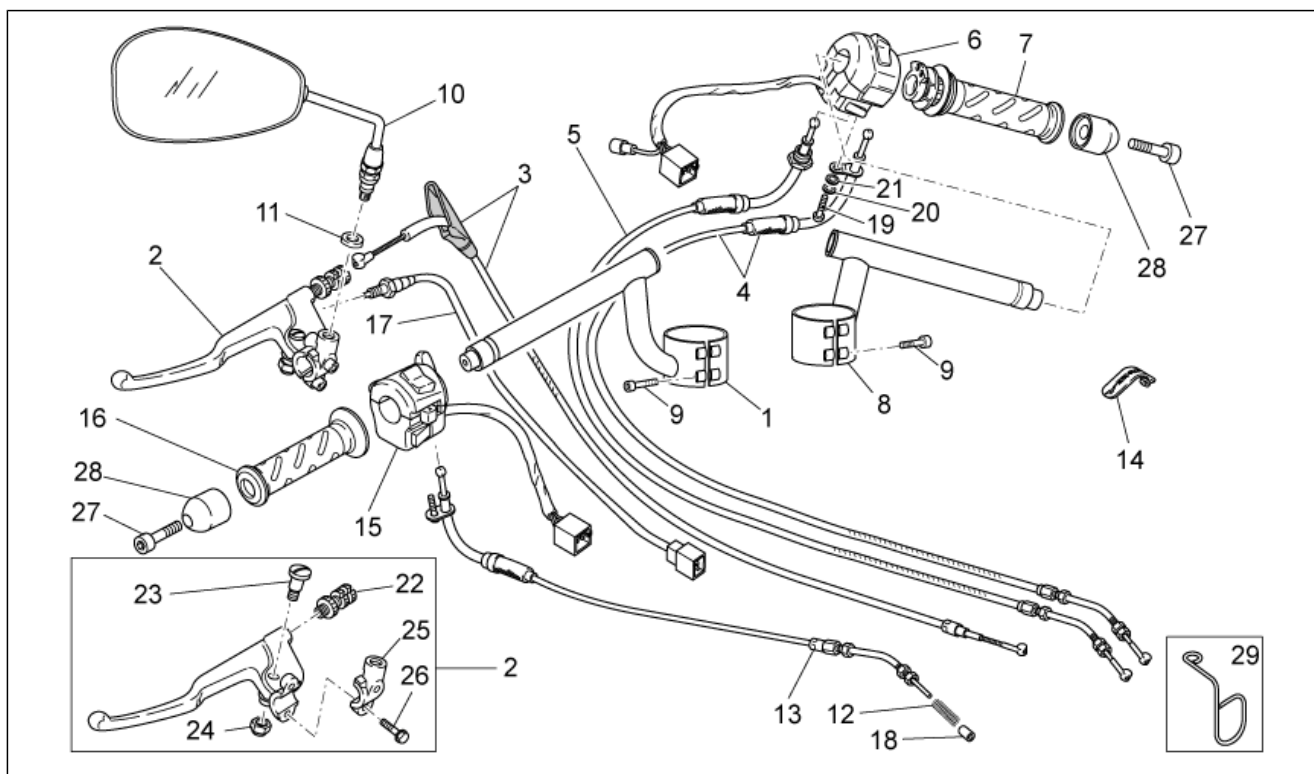
| Pos. | Code        | Beschrijving                             | Aant. | Varianten                        |
|------|-------------|--|-------|----------------------------------|
| 1    | 978949      | Nummerplaathouder                        | 1     |                                  |
| 2    | AP8134448   | Houder reflector                         | 1     |                                  |
| 3    | AP8224164   | Reflector rood                           | 1     |                                  |
| 4    | GU98230510  | Bolbout met binnenzeskant                | 2     |                                  |
| 5    | AP8152306   | Zelfborg.bout gefl. m5                   | 1     |                                  |
| 6    | 88673200Y02 | Eindstuk v.zwart                         | 1     | Technical specification:Decal[D] |
| 6    | 898280      | Eindstuk ruw                             | 1     |                                  |
| 7    | AP8121929   | 'T'-vormige huls 6,5x8,6x9               | 4     |                                  |
| 8    | AP8152339   | Bolbout met binnenzeskant, geflenst M5x9 | 4     |                                  |
| 9    | 886712      | Beugel li                                | 1     |                                  |
| 10   | 886713      | Beugel re                                | 1     |                                  |
| 11   | AP8152273   | Geflenste bout                           | 4     |                                  |
| 12   | 883470      | Nummerplaathouder                        | 1     | LAND:Canadian[CA], USA[USA]      |
| 13   | AP8124718   | Reflector rood                           | 2     | LAND:Canadian[CA], USA[USA]      |
| 14   | GU92630204  | Moer                                     | 6     | LAND:Canadian[CA], USA[USA]      |
| 15   | 883480      | Licht nummerplaat                        | 1     | LAND:Canadian[CA], USA[USA]      |
| 16   | GU32781910  | Houder reflector                         | 2     | LAND:Canadian[CA], USA[USA]      |
| 17   | AP8149034   | Steun van de nummerplaat                 | 1     | LAND:Canadian[CA], USA[USA]      |
| 18   | AP8152268   | Speciale bolbout met binnenzeskant       | 7     | LAND:Canadian[CA], USA[USA]      |
| 19   | AP8150248   | Sluitring 5,5x15x1,6                     | 7     | LAND:Canadian[CA], USA[USA]      |
| 20   | GU05781630  | Reflector amber                          | 1     | LAND:Canadian[CA], USA[USA]      |

|                     |           |
|---------------------|-----------|
| <b>Groep</b>        | FRAME     |
| <b>Code</b>         | 33.17     |
| <b>Beschrijving</b> | Dashboard |
| <b>Revisie</b>      | 1         |



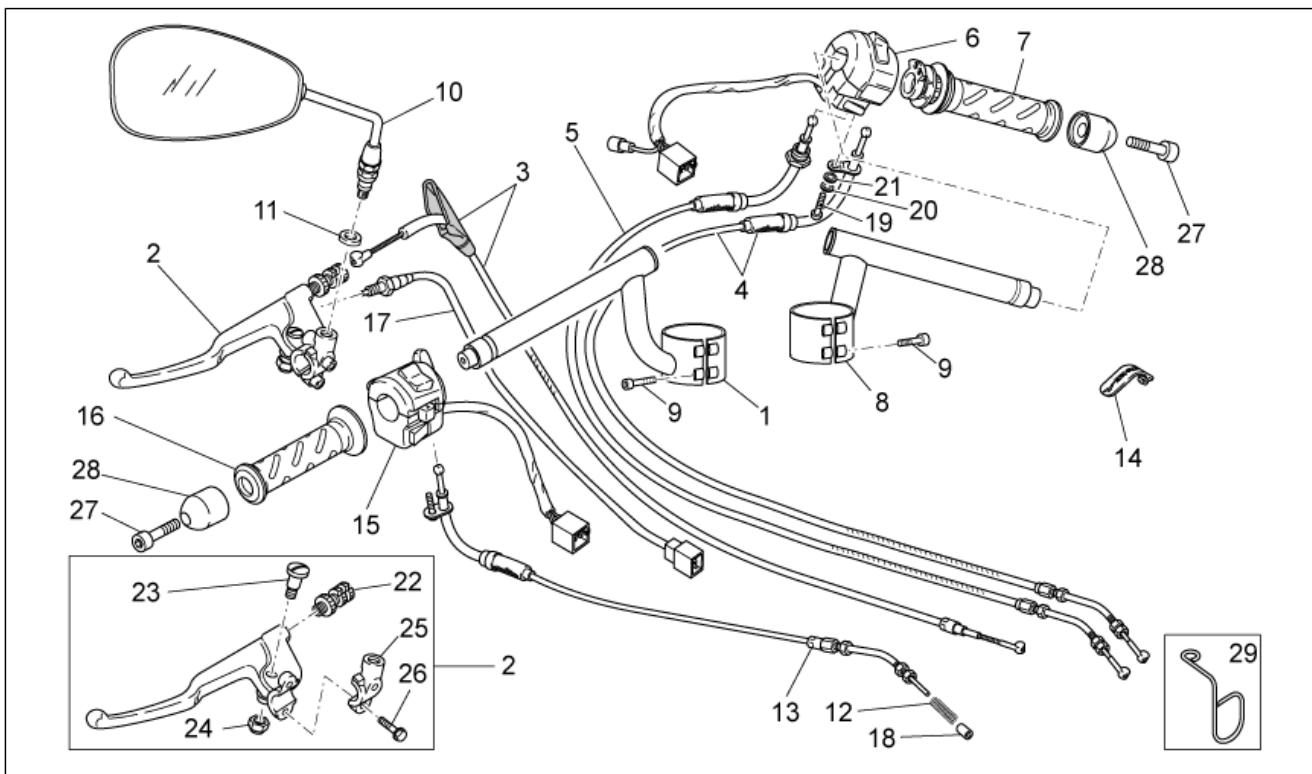
| Pos. | Code       | Beschrijving                    | Aant. | Varianten  |
|------|------------|---------------------------------|-------|--|
| 1    | 883796     | Dashboard cpl.                  | 1     | LAND:Australia[AA], Canadian[CA], europa[EU], Japan[J] |
| 1    | 883797     | Dashboard cpl.                  | 1     | LAND:Great Britain[UK], USA[USA]                       |
| 2    | GU98370609 | Bolbout met binnenzeskant M6x10 | 3     |  |
| 3    | GU95005306 | Sluitring 6,4x13x1,5            | 3     |  |
| 4    | GU93222023 | Silent-block                    | 3     |  |
| 5    | GU95021206 | Sluitring                       | 3     |  |
| 6    | GU92606206 | Moer                            | 3     |  |
| 7    | AP8121032  | Huls                            | 3     |  |

|                     |                      |
|---------------------|----------------------|
| <b>Groep</b>        | FRAME                |
| <b>Code</b>         | 33.18                |
| <b>Beschrijving</b> | Handlebar - Controls |
| <b>Revisie</b>      | 1                    |



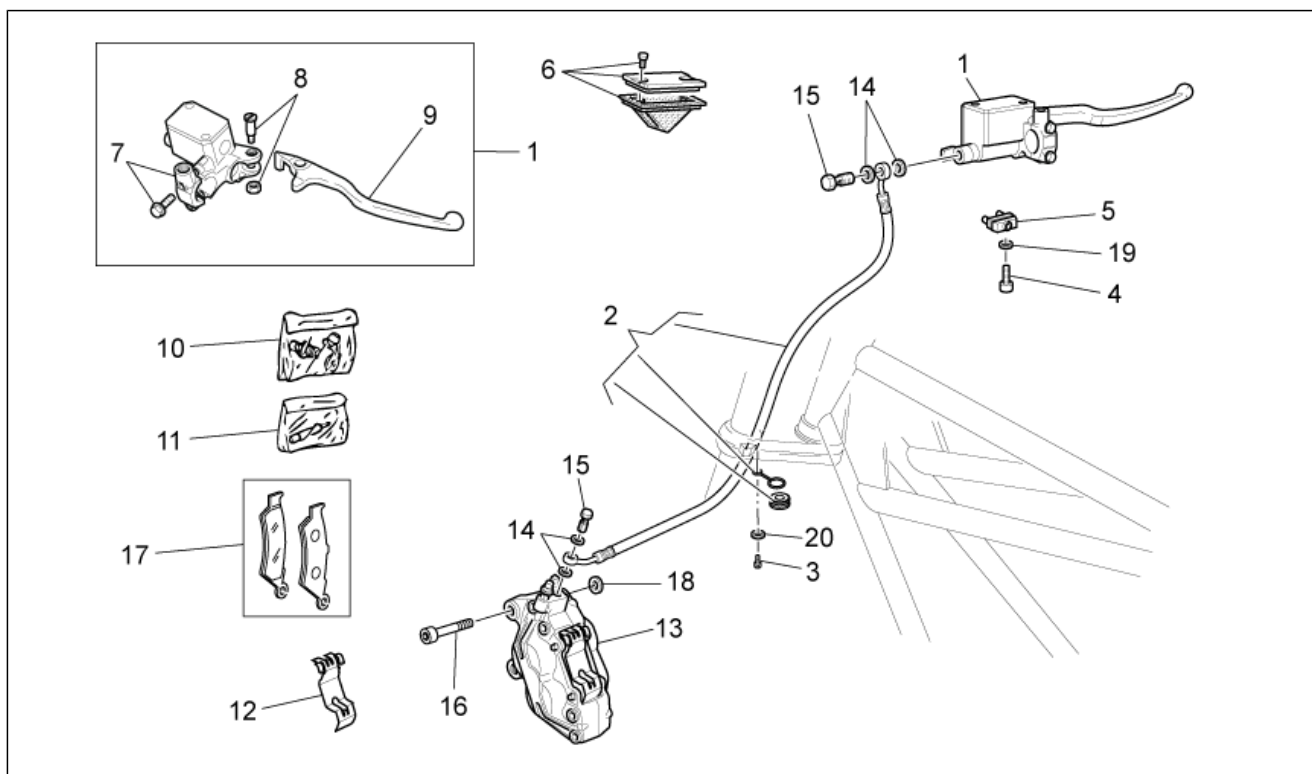
| Pos. | Code       | Beschrijving                 | Aant. | Varianten                                     |
|------|------------|------------------------------|-------|---|
| 1    | 898170     | Halfstuur li                 | 1     |   |
| 2    | GU32605510 | Koppelingshendel             | 1     |   |
| 3    | 883940     | Kabel koppeling              | 1     |   |
| 4    | GU32117010 | Kabel opening gas            | 1     |   |
| 5    | GU32117011 | Kabel sluiting gas           | 1     |   |
| 6    | GU32738810 | Schak.lichten re             | 1     |   |
| 7    | GU32603310 | Handvat re                   | 1     |   |
| 8    | 898171     | Halfstuur re                 | 1     |   |
| 9    | GU98692325 | Binnenzeskantbout M6x25      | 4     |   |
| 10   | 883802     | Achteruitkijkspiegel re/li   | 2     | Technical specification:"FU E1181R-001047"[B] |
| 10   | 978570     | Achteruitkijkspiegel re/li   | 2     | Technical specification:"FAR"[A]              |
| 11   | GU91181003 | Afstandhouder 10,25X20X4     | 2     |   |
| 12   | GU94321074 | Veer 7x1,1x25                | 1     |   |
| 13   | GU32137010 | Kabel starter                | 1     |   |
| 14   | GU01609630 | Klemmetje L46 mm             | 2     |   |
| 14   | GU03609600 | Klemmetje L36 mm             | 1     |   |
| 15   | 883075     | Schak.lichten li             | 1     |   |
| 16   | GU32603010 | Handvat li                   | 1     |   |
| 17   | GU29759150 | Schakelaar standaard         | 1     |   |
| 18   | GU39094200 | Dop                          | 1     |   |
| 19   | GU98230510 | Bolbout met binnenzeskant    | 1     |   |
| 20   | GU95008305 | Sluitring 5,3X10X1           | 1     |   |
| 21   | GU95021105 | Getande sluitring            | 1     |   |
| 22   | GU30602500 | Register                     | 1     |   |
| 23   | AP8213028  | Bout                         | 1     |   |
| 24   | AP8118490  | Moer                         | 1     |   |
| 25   | GU30601060 | Klem                         | 1     |   |
| 26   | GU97202325 | Zeskantbout gefl.zwart M6x25 | 2     |   |

|                     |                      |
|---------------------|----------------------|
| <b>Groep</b>        | FRAME                |
| <b>Code</b>         | 33.18                |
| <b>Beschrijving</b> | Handlebar - Controls |
| <b>Revisie</b>      | 1                    |



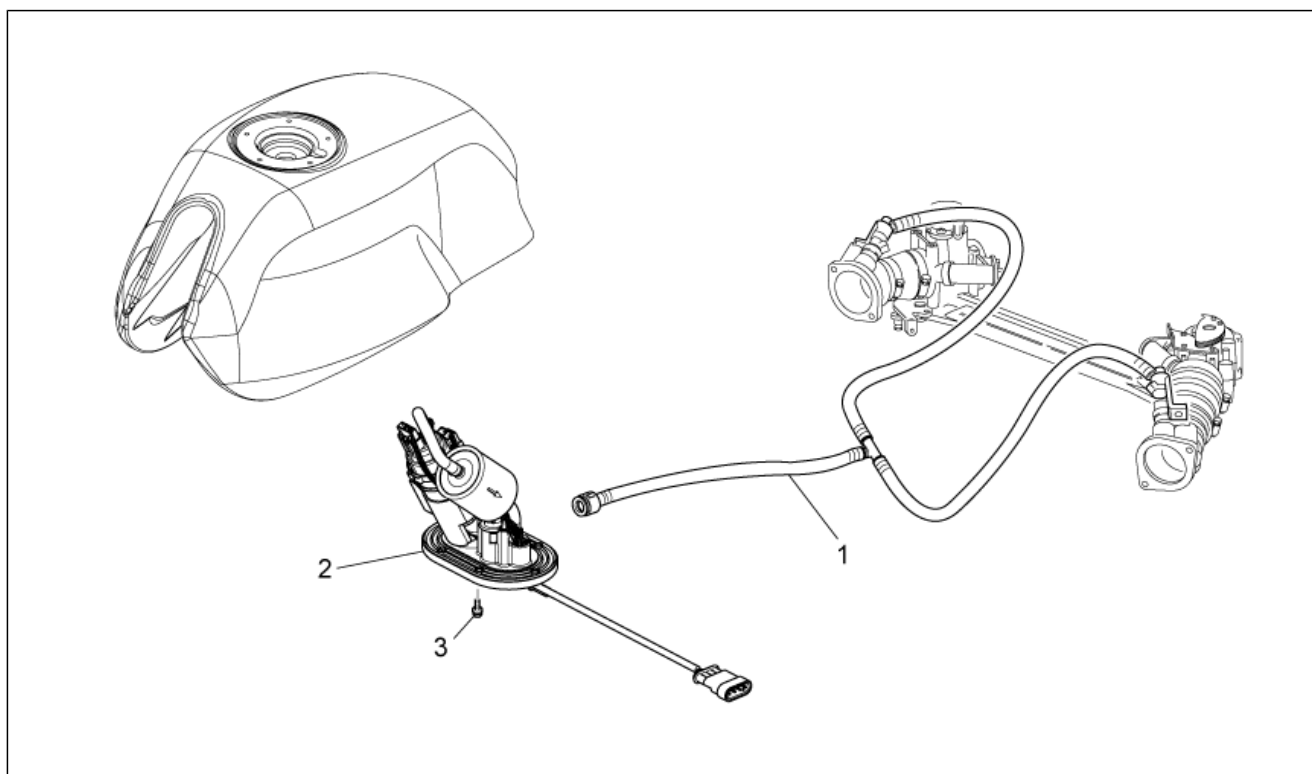
| Pos. | Code       | Beschrijving            | Aant. | Varianten |
|------|------------|-------------------------|-------|-----------|
| 27   | GU98690335 | Binnenzeskantbout       | 2     |           |
| 28   | GU32602860 | Antitrilgewicht v.cromo | 2     |           |
| 29   | AP8221172  | Kabelgeleider           | 1     |           |

|                     |                    |
|---------------------|--------------------|
| <b>Groep</b>        | FRAME              |
| <b>Code</b>         | 33.19              |
| <b>Beschrijving</b> | Front brake system |
| <b>Revisie</b>      | 1                  |



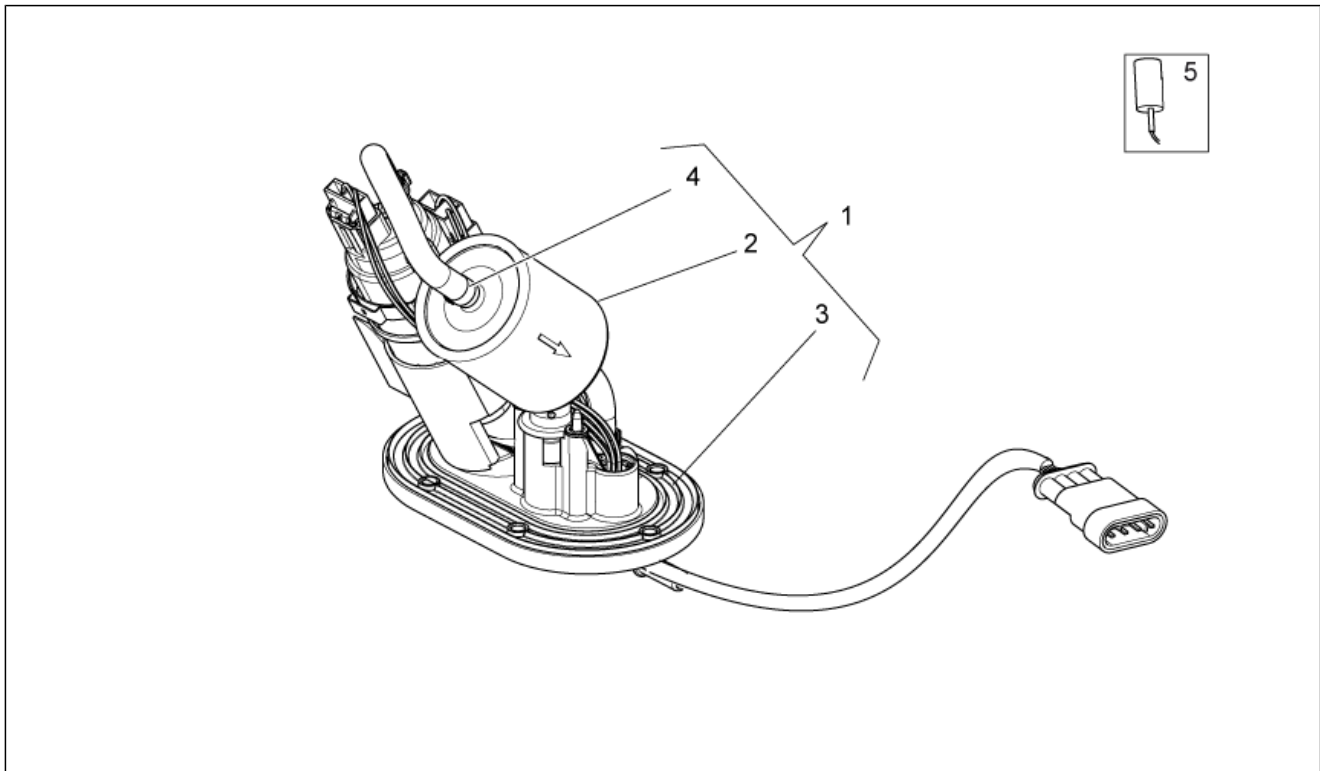
| Pos. | Code       | Beschrijving                    | Aant. | Varianten |
|------|------------|---------------------------------|-------|-----------|
| 1    | GU03660145 | Pomp voorrem                    | 1     |           |
| 2    | 883581     | Remleiding                      | 1     |           |
| 3    | AP8152277  | Zeskantbout geflenst M6x12      | 1     |           |
| 4    | GU98370412 | Bolbout met binnenzeskant M4x12 | 1     |           |
| 5    | GU03749845 | Stopschakelaar                  | 1     |           |
| 6    | GU03661145 | Bedekking pomp                  | 1     |           |
| 7    | GU03664045 | Beugel                          | 1     |           |
| 8    | GU03604845 | Pin hendel                      | 1     |           |
| 9    | GU03605645 | Remhendel                       | 1     |           |
| 10   | GU05659230 | Ontluchting+kapje               | 1     |           |
| 11   | GU01659130 | Pinnen+Veren tang               | 1     |           |
| 12   | GU01659131 | Veer                            | 1     |           |
| 13   | 883303     | Tang voorrem li zwart           | 1     |           |
| 14   | AP8113004  | Sluitring 10x14x1,6*            | 4     |           |
| 15   | 978323     | Bout olieleiding *              | 2     |           |
| 16   | AP8152385  | Binnenzeskantbout M10x1,25      | 2     |           |
| 17   | GU01654630 | Pastilles - koppel              | 1     |           |
| 18   | GU91181003 | Afstandhouder 10,25X20X4        | 2     |           |
| 19   | GU95021104 | Sluitring 4,3x8x1,5             | 1     |           |
| 20   | GU95008306 | Sluitring 6,4x12x1,2            | 1     |           |

|                     |             |
|---------------------|-------------|
| <b>Groep</b>        | FRAME       |
| <b>Code</b>         | 33.20       |
| <b>Beschrijving</b> | Fuel supply |
| <b>Revisie</b>      | 1           |



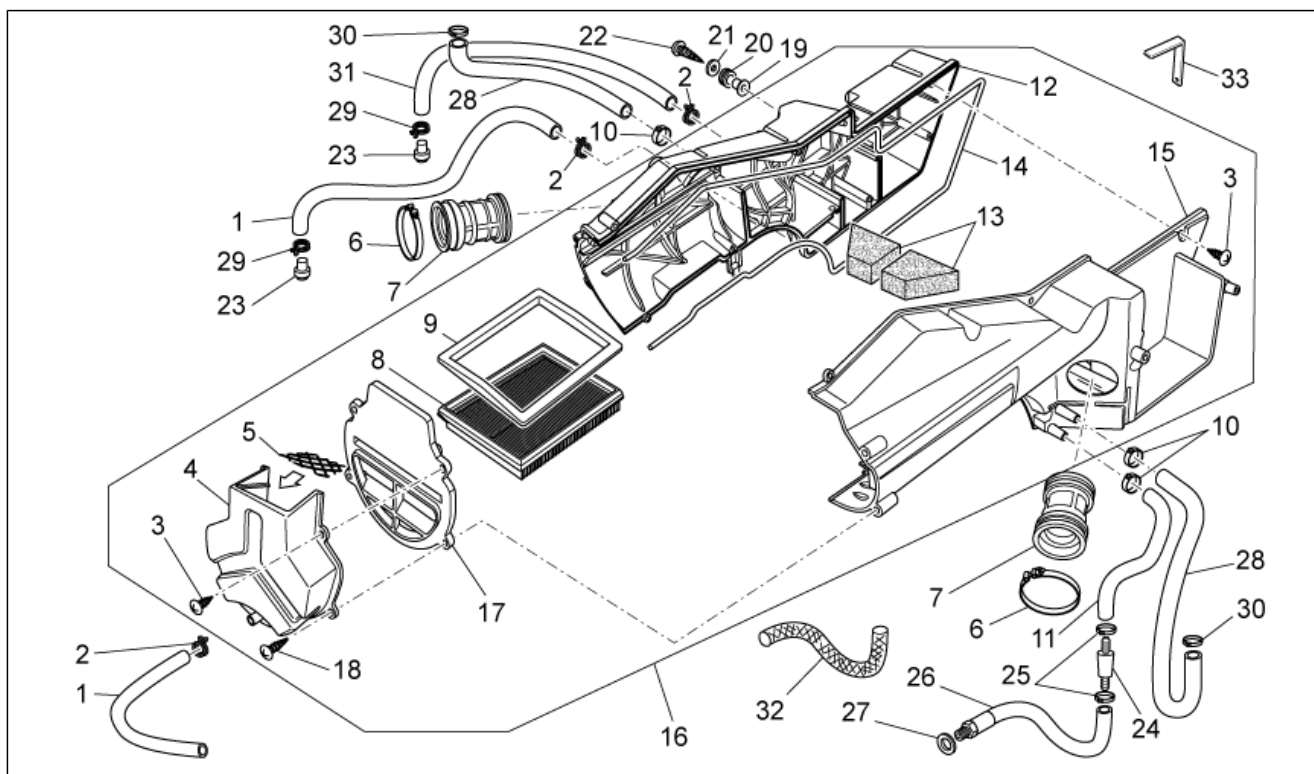
| Pos. | Code      | Beschrijving   | Aant. | Varianten |
|------|-----------|----------------|-------|-----------|
| 1    | 883265    | Benzineleiding | 1     |           |
| 2    | 978930    | Benzinepomp    | 1     |           |
| 3    | AP8152273 | Geflenste bout | 6     |           |

|                     |           |
|---------------------|-----------|
| <b>Groep</b>        | FRAME     |
| <b>Code</b>         | 33.21     |
| <b>Beschrijving</b> | Fuel pump |
| <b>Revisie</b>      | 1         |



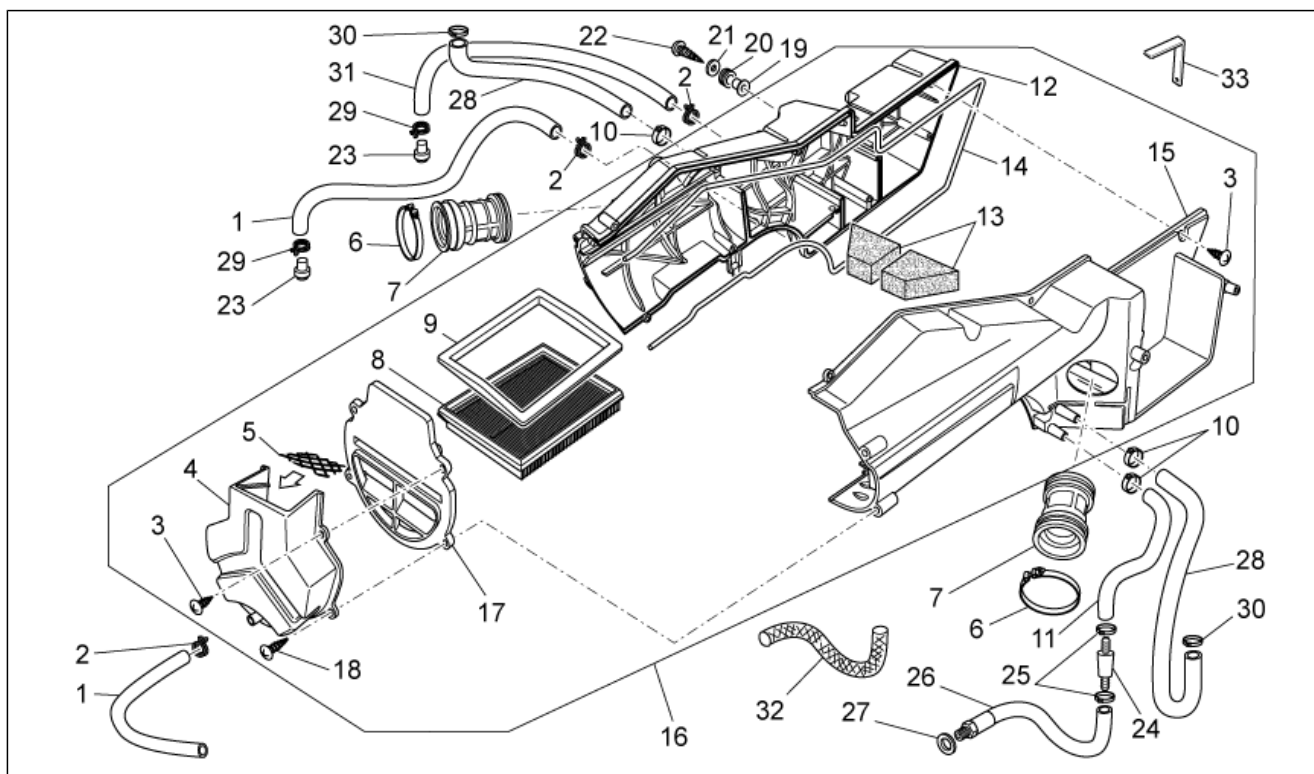
| Pos. | Code       | Beschrijving   | Aant. | Varianten |
|------|------------|----------------|-------|-----------|
| 1    | 978930     | Benzinepomp    | 1     |           |
| 2    | GU01106090 | Benzinefilter  | 1     |           |
| 3    | GU05107430 | Pakking flens  | 1     |           |
| 4    | GU01108490 | Klemmetje 11,3 | 4     |           |
| 5    | 883852     | Thermistor     | 1     |           |

|                     |         |
|---------------------|---------|
| <b>Groep</b>        | FRAME   |
| <b>Code</b>         | 33.22   |
| <b>Beschrijving</b> | Air box |
| <b>Revisie</b>      | 1       |



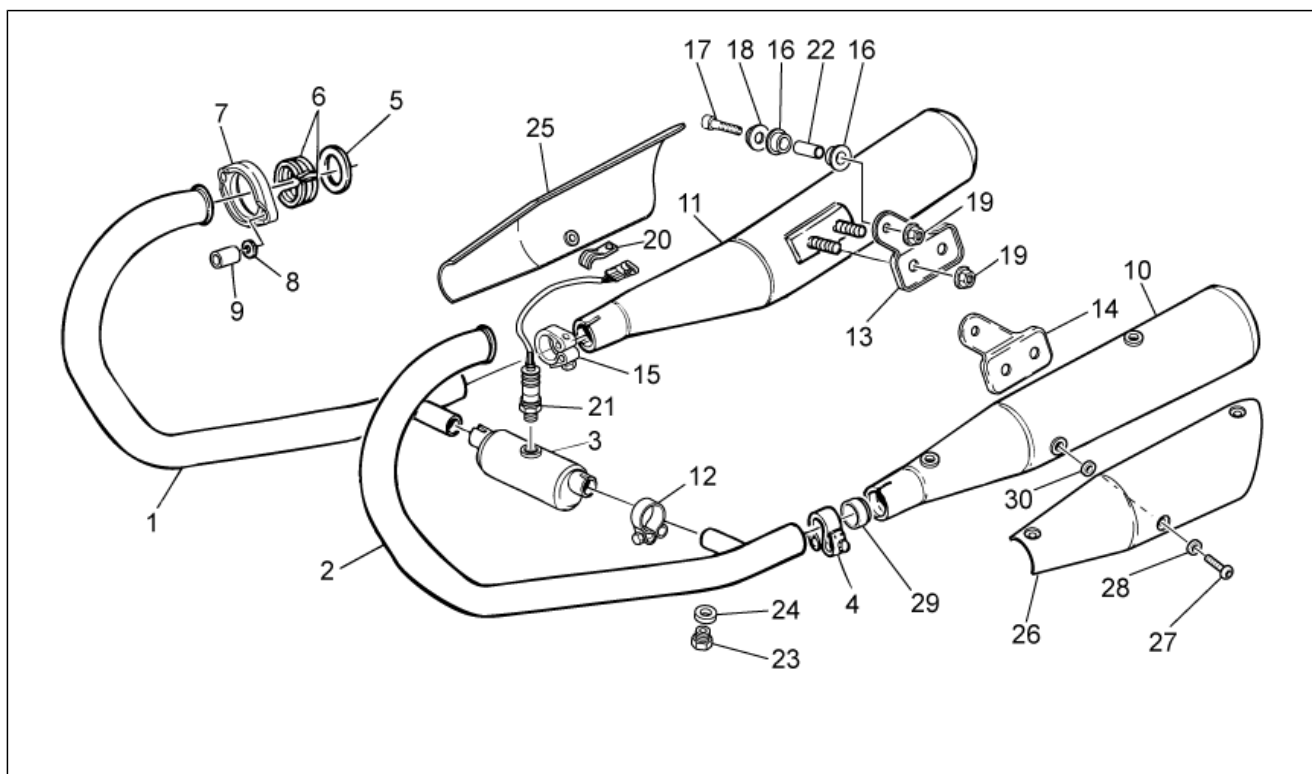
| Pos. | Code       | Beschrijving                  | Aant. | Varianten |
|------|------------|-------------------------------|-------|-----------|
| 1    | AP8120952  | Benzineleiding 5,5x10         | 2     |           |
| 2    | AP8201358  | Klemmetje D 11,9              | 2     |           |
| 3    | AP8150413  | Zelftap. bout 3,9x14          | 12    |           |
| 4    | GU32116910 | Bedekking filter              | 1     |           |
| 5    | GU32113510 | Net filterkast                | 1     |           |
| 6    | GU93305061 | Klemmetje 61/65,5             | 2     |           |
| 7    | GU32114410 | Aanzuigmof                    | 2     |           |
| 8    | AP8104242  | Luchtfiler                    | 1     |           |
| 9    | GU32114110 | Steun                         | 1     |           |
| 10   | AP8102766  | Klemmetje                     | 3     |           |
| 11   | AP8120772  | Ontluchttingsbuis             | 1     |           |
| 12   | GU32114011 | Halfdop re                    | 1     |           |
| 13   | AP8104525  | Filter blow-by                | 2     |           |
| 14   | AP8120615  | Pakking D3                    | 3     |           |
| 15   | 883697     | Halfdop li                    | 1     |           |
| 16   | 883696     | Filterkast                    | 1     |           |
| 17   | GU32113410 | Dop                           | 1     |           |
| 18   | AP8152329  | Bout SWP kruiskop gefl. M5x20 | 3     |           |
| 19   | GU30576100 | Afstandhouder D.6,5           | 3     |           |
| 20   | GU91551010 | Rubbetje                      | 3     |           |
| 21   | GU95100059 | Sluitring 5,25x14x1,5         | 3     |           |
| 22   | AP8152329  | Bout SWP kruiskop gefl. M5x20 | 3     |           |
| 23   | AP8120876  | Sluitdop                      | 3     |           |
| 24   | AP8104251  | Klep ontluchting olie         | 1     |           |
| 25   | AP8102159  | Klemmetje                     | 2     |           |
| 26   | GU32159310 | Buis recup.olie               | 1     |           |
| 27   | GU90714082 | Pakking                       | 1     |           |
| 28   | GU32159610 | Ontluchttingsbuis             | 2     |           |

|                     |         |
|---------------------|---------|
| <b>Groep</b>        | FRAME   |
| <b>Code</b>         | 33.22   |
| <b>Beschrijving</b> | Air box |
| <b>Revisie</b>      | 1       |



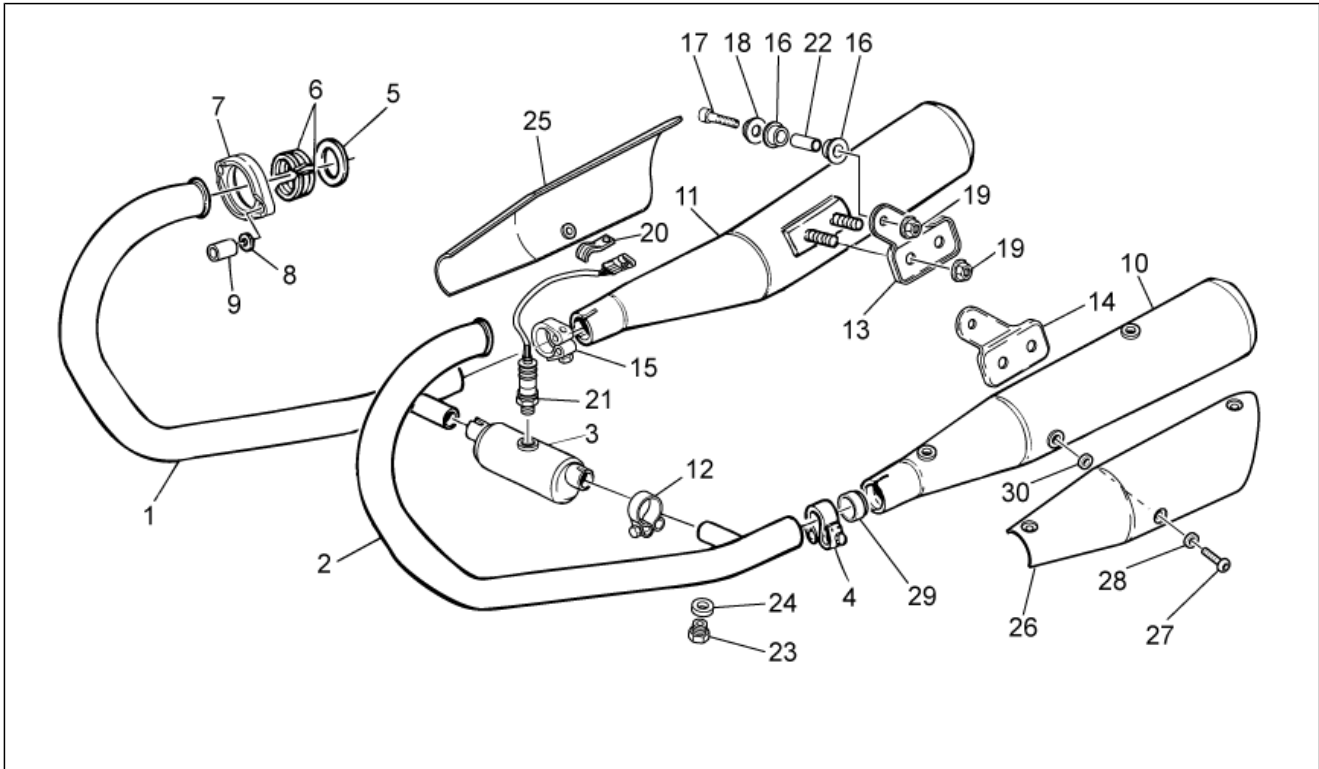
| Pos. | Code          | Beschrijving        | Aant. | Varianten |
|------|---------------|---------------------|-------|-----------|
| 29   | GU61108500    | Klemmetje D9        | 2     |           |
| 30   | AP8102239     | Klemmetje 12,5x8    | 2     |           |
| 31   | AP8144038     | Benzineleiding 6x10 | 1     |           |
| 32   | GU00823923140 | Thermische gaine    | 1     |           |
| 33   | GU31112965    | Steunbeugel filter  | 1     |           |

|                     |              |
|---------------------|--------------|
| <b>Groep</b>        | FRAME        |
| <b>Code</b>         | 33.23        |
| <b>Beschrijving</b> | Exhaust unit |
| <b>Revisie</b>      | 1            |



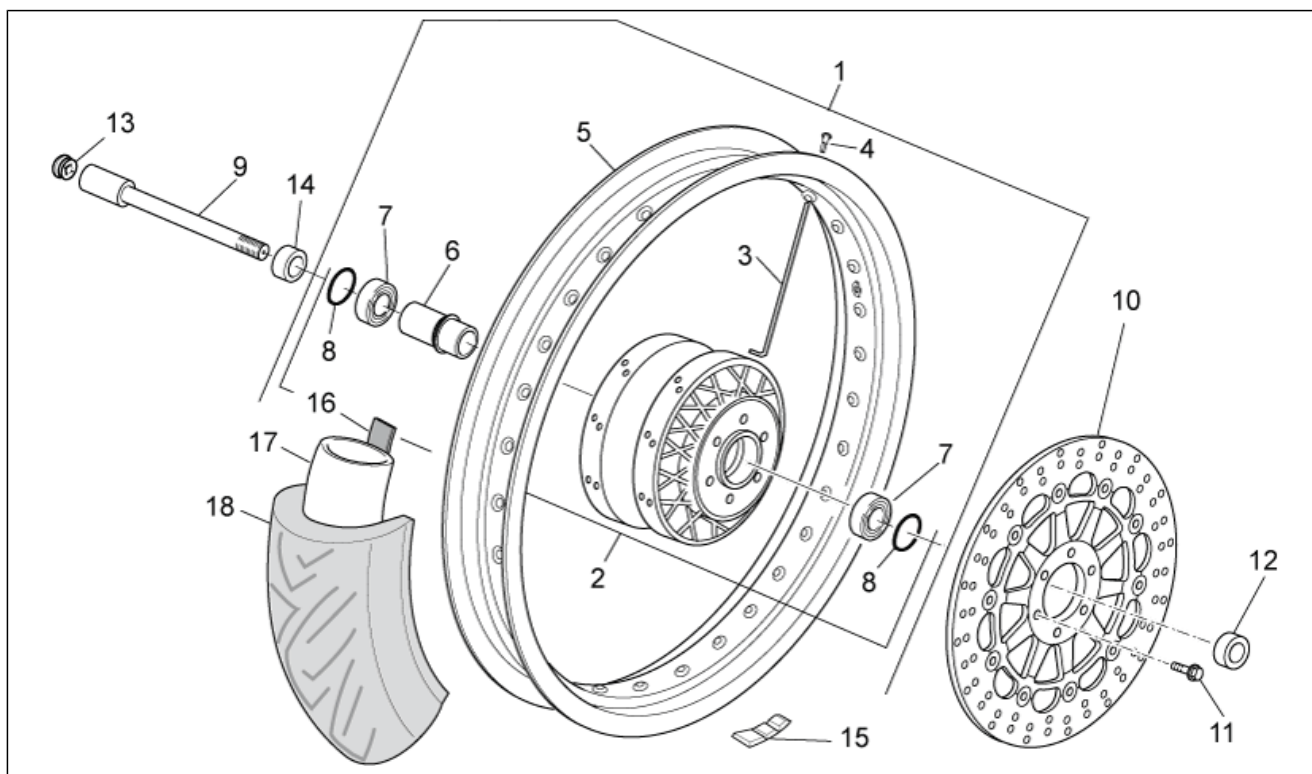
| Pos. | Code       | Beschrijving                  | Aant. | Varianten   |
|------|------------|-------------------------------|-------|---|
| 1    | 883870     | Buis afvoer re                | 1     | LAND:Japan[J]   |
| 1    | GU32120710 | Buis afvoer re                | 1     | LAND:Australia[AA], Canadian[CA], europa[EU], Great Britain[UK], USA[USA] |
| 2    | 883871     | Buis uitlaat li               | 1     | LAND:Japan[J]   |
| 2    | GU32120711 | Buis uitlaat li               | 1     | LAND:Australia[AA], Canadian[CA], europa[EU], Great Britain[UK], USA[USA] |
| 3    | GU32123910 | Expansiekamer                 | 1     |   |
| 4    | 978387     | Band geluiddemper li          | 1     |   |
| 5    | GU19025280 | Pakking                       | 2     |   |
| 6    | GU19025460 | Afstandhouder                 | 4     |   |
| 7    | GU32121010 | Moer                          | 2     |   |
| 8    | GU03013800 | Sluitring 6,4x12              | 4     |   |
| 9    | GU31121880 | Moer                          | 4     |   |
| 10   | 883712     | Geluiddemper li               | 1     |   |
| 11   | 883711     | Geluiddemper re               | 1     |   |
| 12   | 978385     | Klemmetje                     | 2     |   |
| 13   | GU32128610 | Plaat re                      | 1     |   |
| 14   | GU32129010 | Plaat li                      | 1     |   |
| 15   | 978386     | Band geluiddemper re          | 1     |   |
| 16   | AP8144071  | Rubbertje uitlaat             | 4     |   |
| 17   | GU98680440 | Binnenzeskantbout M8x40       | 2     |   |
| 18   | AP8134378  | Huls bevestiging geluiddemper | 2     |   |
| 19   | GU92640508 | Moer M8                       | 6     |   |
| 20   | GU93301175 | Beugel                        | 1     |   |
| 21   | GU32727010 | Lambdasonde                   | 1     |   |
| 22   | AP8121072  | Afstandhouder                 | 2     |   |
| 23   | GU98110007 | Dop                           | 2     |   |
| 24   | GU30109330 | Pakking                       | 2     |   |

|                     |              |
|---------------------|--------------|
| <b>Groep</b>        | FRAME        |
| <b>Code</b>         | 33.23        |
| <b>Beschrijving</b> | Exhaust unit |
| <b>Revisie</b>      | 1            |



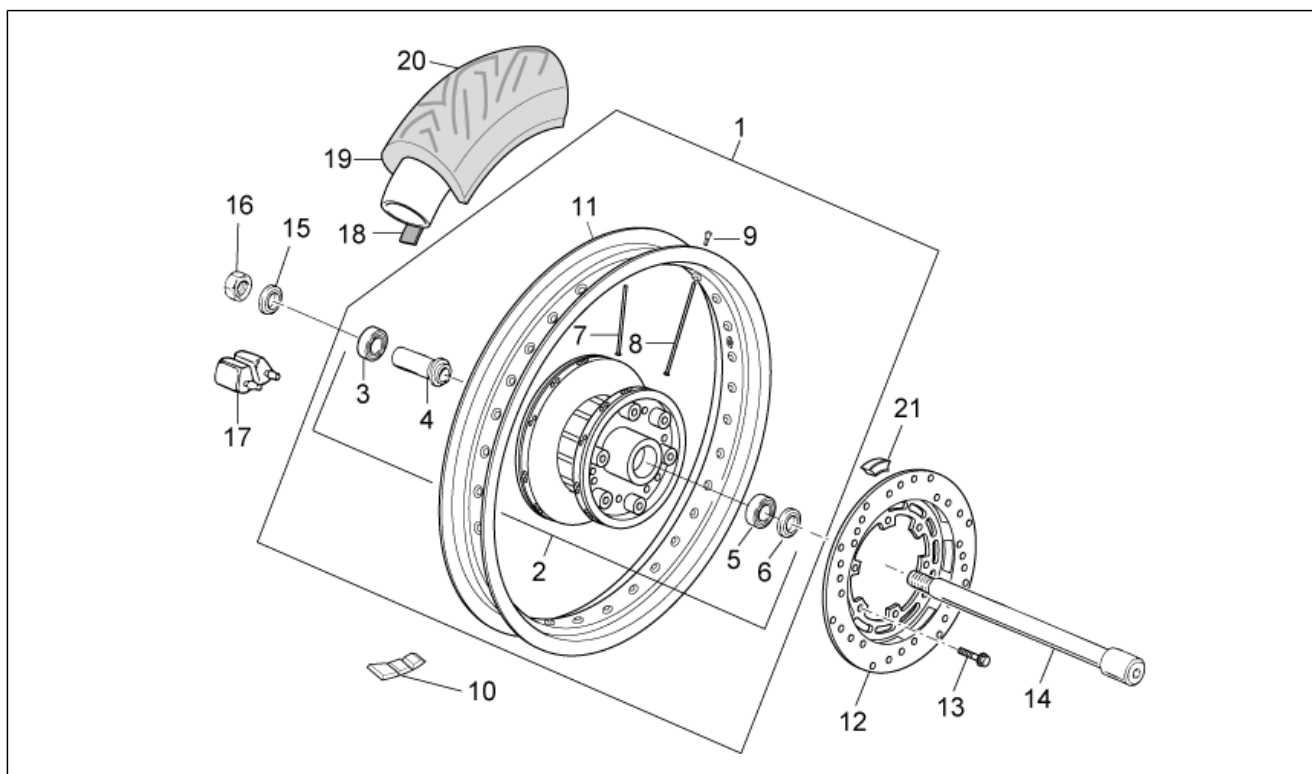
| Pos. | Code       | Beschrijving                    | Aant. | Varianten |
|------|------------|---------------------------------|-------|-----------|
| 25   | GU32121910 | Bescherming re                  | 1     |           |
| 26   | GU32121911 | Bescherming li                  | 1     |           |
| 27   | GU98370609 | Bolbout met binnenzeskant M6x10 | 6     |           |
| 28   | GU95005306 | Sluitring 6,4x13x1,5            | 6     |           |
| 29   | GU91113826 | Beslagring                      | 2     |           |
| 30   | AP8221297  | Isolerende sluitring            | 6     |           |

|                     |             |
|---------------------|-------------|
| <b>Groep</b>        | FRAME       |
| <b>Code</b>         | 33.24       |
| <b>Beschrijving</b> | Front wheel |
| <b>Revisie</b>      | 1           |



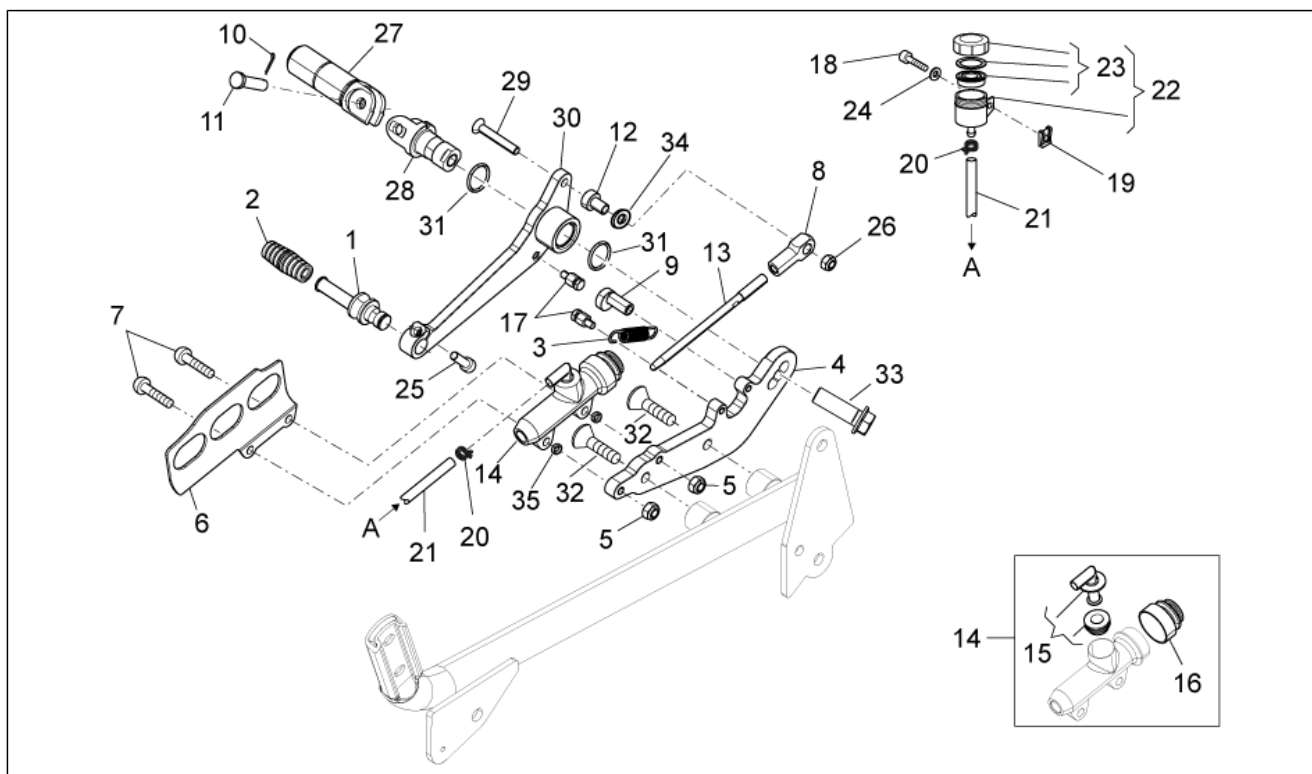
| Pos. | Code       | Beschrijving               | Aant. | Varianten |
|------|------------|----------------------------|-------|-----------|
| 1    | 898167     | Voorwiel naked             | 1     |           |
| 2    | 886681     | Voornaaf                   | 1     |           |
| 3    | GU32611660 | Spaak                      | 36    |           |
| 4    | GU03631250 | Nippels                    | 36    |           |
| 5    | 898118     | Wheel                      | 1     |           |
| 6    | GU31615260 | Afstandhouder lagers       | 1     |           |
| 7    | GU92204221 | Lager                      | 2     |           |
| 8    | GU90402642 | Dichtingsring              | 1     |           |
| 9    | GU31614183 | Pin voorwiel               | 1     |           |
| 10   | 883688     | Remschijf voor 320         | 1     |           |
| 11   | AP8152286  | Zeskantbout geflenst M8x20 | 6     |           |
| 12   | GU31616384 | Afstandhouder li           | 1     |           |
| 13   | GU93180111 | Dop 15 mm                  | 1     |           |
| 14   | GU32615660 | Afstandhouder re           | 1     |           |
| 15   | GU14616150 | Tegengewicht               | 1     |           |
| 16   | 0000000    | Bedekking 110/90"          | 1     |           |
| 17   | 0000000    | Bedekking 110/90"          | 1     |           |
| 18   | 0000000    | Bedekking 110/90"          | 1     |           |

|                     |            |
|---------------------|------------|
| <b>Groep</b>        | FRAME      |
| <b>Code</b>         | 33.25      |
| <b>Beschrijving</b> | Rear wheel |
| <b>Revisie</b>      | 1          |



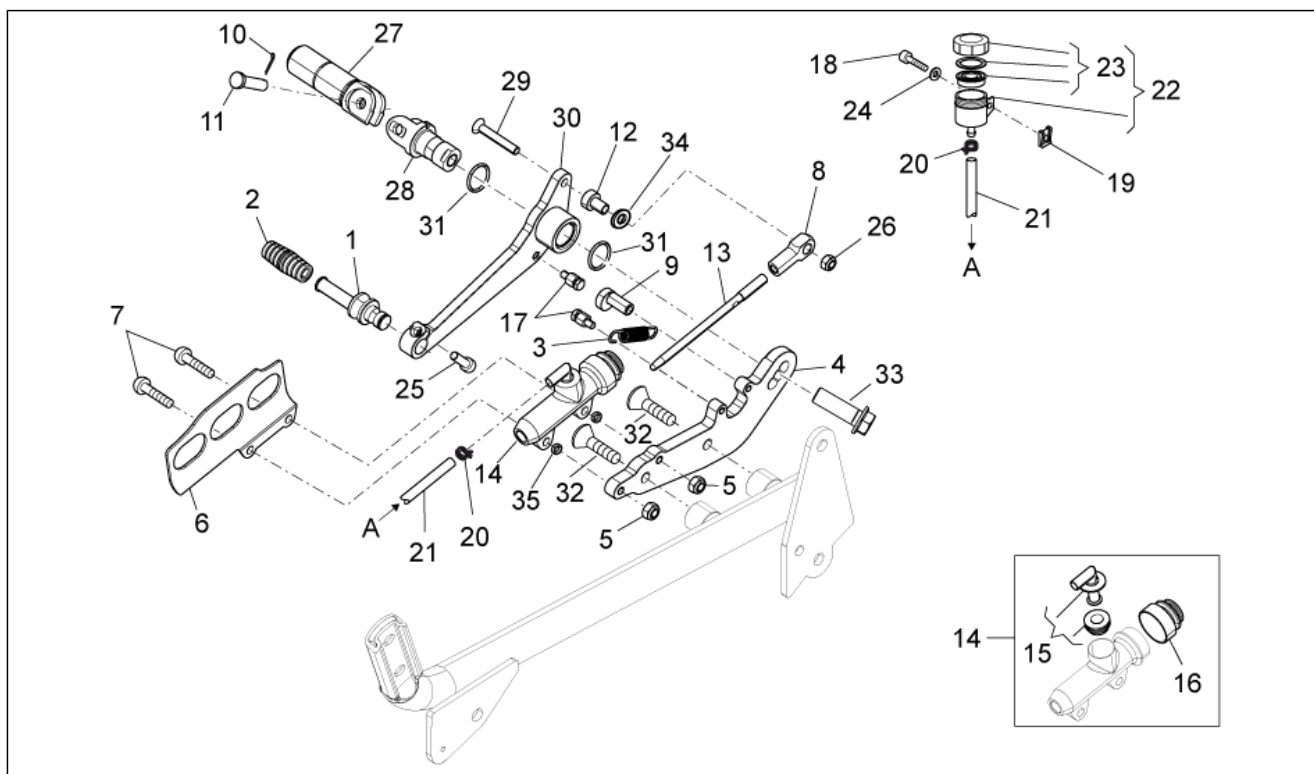
| Pos. | Code       | Beschrijving            | Aant. | Varianten |
|------|------------|-------------------------|-------|-----------|
| 1    | 898168     | Achterwiel 3.5"x17"     | 1     |           |
| 2    | 886711     | Achternaaf              | 1     |           |
| 3    | GU92204218 | Lager                   | 1     |           |
| 4    | GU27633910 | Afstandhouder           | 1     |           |
| 5    | GU92204217 | Lager                   | 1     |           |
| 6    | GU90402538 | Dichtingsring 25x40x7   | 1     |           |
| 7    | 883350     | Spaak kort              | 18    |           |
| 8    | 883349     | Spaak lang mm 158       | 18    |           |
| 9    | GU03631250 | Nippels                 | 36    |           |
| 10   | GU14616150 | Tegengewicht            | 1     |           |
| 11   | 898120     | WHEEL RIM               | 1     |           |
| 12   | GU31613381 | REMSCHIJF               | 1     |           |
| 13   | GU98682425 | Binnenzeskantbout M8x25 | 6     |           |
| 14   | GU32633360 | PIN ACHTERWIEL          | 1     |           |
| 15   | GU31634481 | SLUITRING               | 1     |           |
| 16   | GU92606316 | MOER M16x1,5            | 1     |           |
| 17   | GU32632510 | ELEMENT SCHOKBESCH.     | 6     |           |
| 18   | 0000000    | BEDEKING 110/90"        | 1     |           |
| 19   | 0000000    | BEDEKING 110/90"        | 1     |           |
| 20   | 0000000    | BEDEKING 110/90"        | 1     |           |
| 21   | GU32636160 | RUBBER                  | 1     |           |

|                     |                      |
|---------------------|----------------------|
| <b>Groep</b>        | FRAME                |
| <b>Code</b>         | 33.26                |
| <b>Beschrijving</b> | Rear master cylinder |
| <b>Revisie</b>      | 1                    |



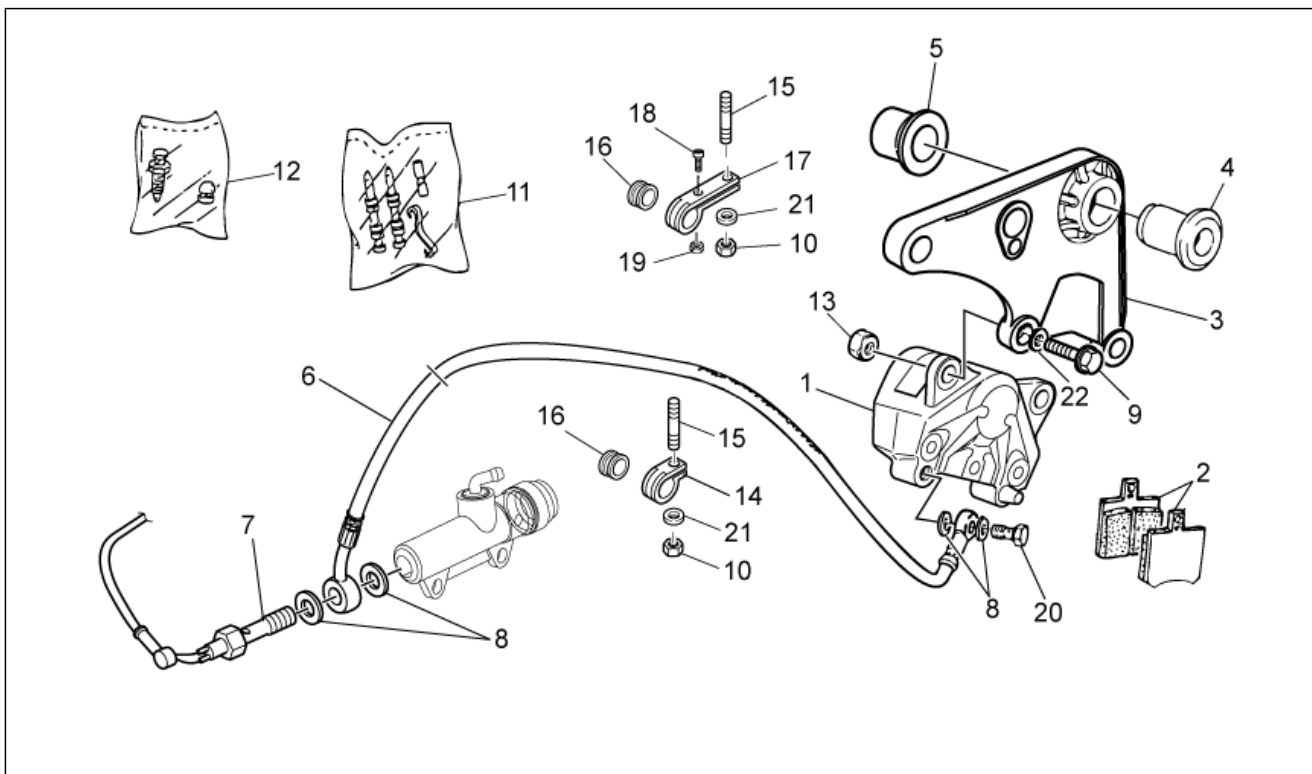
| Pos. | Code          | Beschrijving                | Aant. | Varianten |
|------|---------------|-----------------------------|-------|-----------|
| 1    | 886665        | Pin                         | 1     |           |
| 2    | AP8120912     | Rubbetje voor hendel        | 1     |           |
| 3    | AP8121927     | Veer hendel achterrem       | 1     |           |
| 4    | 898288        | Piastra pedana pilota       | 1     |           |
| 5    | GU92630206    | Moer M6x1                   | 2     |           |
| 6    | GU01665410    | Bescherming rem pomp zwart  | 1     |           |
| 7    | GU98370625    | Bolbout met binnenzeskant   | 2     |           |
| 8    | GU18257551    | Blokje                      | 1     |           |
| 9    | 886666        | Excentrieke huls            | 1     |           |
| 10   | GU95401215    | Splitpen                    | 1     |           |
| 11   | GU23442210    | Pin                         | 1     |           |
| 12   | 898287        | Pin hendel                  | 1     |           |
| 13   | 978970        | Staaft pomp rem             | 1     |           |
| 14   | AP8133643     | Pomp achterrem              | 1     |           |
| 15   | AP8213057     | Verbinding pomp acht.       | 1     |           |
| 16   | AP8113288     | Blower van rubber           | 1     |           |
| 17   | 898286        | Pin koppeling veren         | 2     |           |
| 18   | GU98682215    | Binnenzeskantbout           | 1     |           |
| 19   | AP8102375     | Clip m5                     | 1     |           |
| 20   | AP8101594     | Klemmetje D10,1*            | 2     |           |
| 21   | GU00823950050 | Olieleiding                 | 1     |           |
| 22   | AP8133873     | Oliereservoir remmen cpl.   | 1     |           |
| 23   | AP8113553     | Tankdop                     | 1     |           |
| 24   | GU95100059    | Sluitring 5,25x14x1,5       | 1     |           |
| 25   | AP8150044     | Binnenzeskantbout M6x20     | 1     |           |
| 26   | AP8150115     | Zelfborg. moer laag M6      | 1     |           |
| 27   | 898281        | Voetensteun bestuurder re   | 1     |           |
| 28   | 898612        | Steun voetst. bestuurder re | 1     |           |

|                     |                      |
|---------------------|----------------------|
| <b>Groep</b>        | FRAME                |
| <b>Code</b>         | 33.26                |
| <b>Beschrijving</b> | Rear master cylinder |
| <b>Revisie</b>      | 1                    |



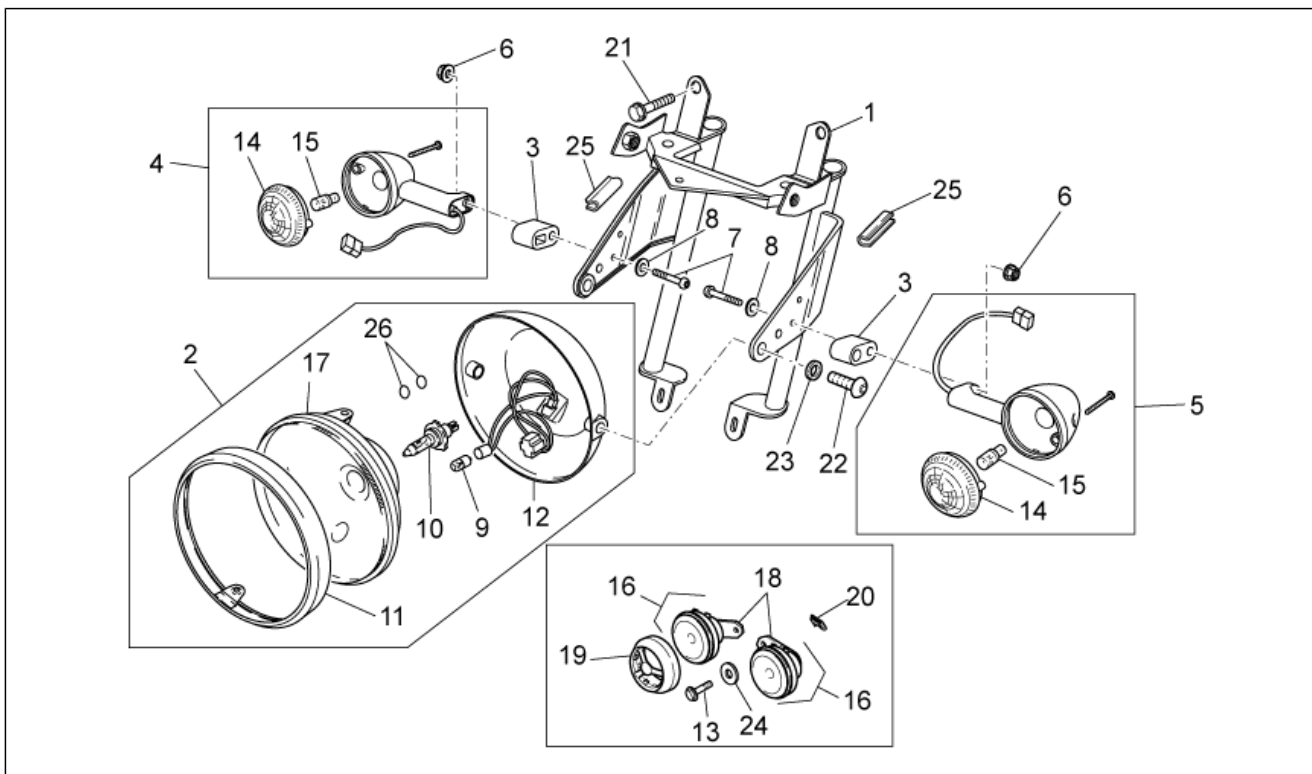
| Pos. | Code       | Beschrijving                              | Aant. | Varianten |
|------|------------|---|-------|-----------|
| 29   | AP8150468  | Binnenzeskantbout met verzonken kop M6x40 | 1     |           |
| 30   | 898285     | Remhendel                                 | 1     |           |
| 31   | AP9100477  | O-ring 18x2                               | 2     |           |
| 32   | GU98252420 | Binnenzeskantbout met verzonken kop M8x20 | 2     |           |
| 33   | AP8152320  | Zeskantbout geflenst                      | 1     |           |
| 34   | GU03270300 | Sluitring 8,4x15                          | 1     |           |
| 35   | AP8134640  | Afstandhouder filterkast                  | 2     |           |

|                     |                    |
|---------------------|--------------------|
| <b>Groep</b>        | FRAME              |
| <b>Code</b>         | 33.27              |
| <b>Beschrijving</b> | Rear brake caliper |
| <b>Revisie</b>      | 1                  |



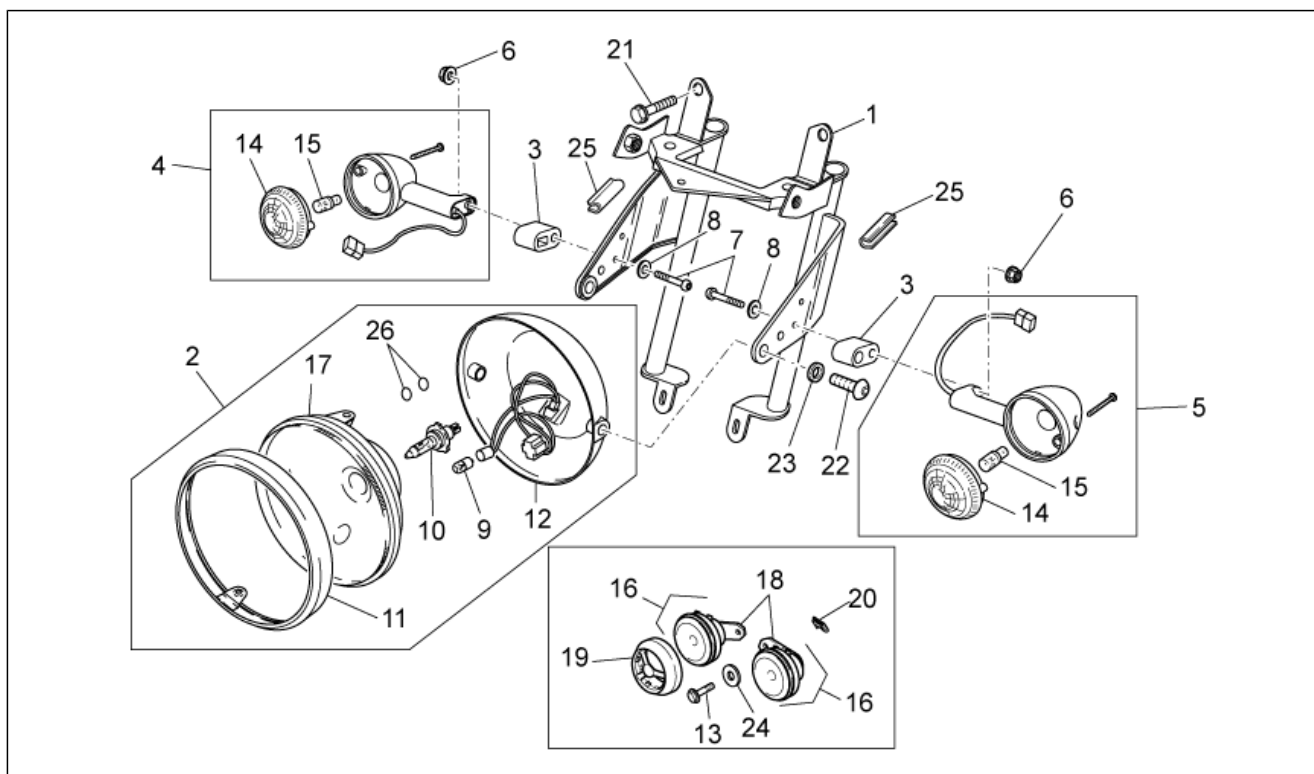
| Pos. | Code        | Beschrijving            | Aant. | Varianten |
|------|-------------|-------------------------|-------|-----------|
| 1    | 883296      | Tang achterrem Brembo   | 1     |           |
| 2    | GU31654681  | Pastilles - koppel      | 1     |           |
| 3    | GU326358601 | Plaat koppeling remtang | 1     |           |
| 4    | GU31634281  | Beslagring              | 1     |           |
| 5    | GU32634160  | Afstandhouder           | 1     |           |
| 6    | 883180      | Remleiding              | 1     |           |
| 7    | 883192      | Hydraulische schakelaar | 1     |           |
| 8    | AP8113004   | Sluitring 10x14x1,6*    | 4     |           |
| 9    | GU97202435  | Bout                    | 2     |           |
| 10   | AP8152299   | Zelfborg.bout gefl. M6  | 2     |           |
| 11   | GU31659181  | Kit pinnen+veer         | 1     |           |
| 12   | GU31659281  | Ontluchting+kapje       | 1     |           |
| 13   | AP8152300   | Zelfborg.bout gefl. M8  | 2     |           |
| 14   | GU03658430  | Klemmetje               | 1     |           |
| 15   | GU96451316  | Stiftbout               | 1     |           |
| 16   | GU03658201  | Ring                    | 2     |           |
| 17   | GU03658330  | Klemmetje               | 1     |           |
| 18   | GU98257410  | Bout                    | 1     |           |
| 19   | GU92630104  | Moer M4x0,7             | 1     |           |
| 20   | 978323      | Bout olieleiding *      | 1     |           |
| 21   | GU95008306  | Sluitring 6,4x12x1,2    | 2     |           |
| 22   | GU03270300  | Sluitring 8,4x15        | 1     |           |

|                     |              |
|---------------------|--------------|
| <b>Groep</b>        | FRAME        |
| <b>Code</b>         | 33.28        |
| <b>Beschrijving</b> | Front lights |
| <b>Revisie</b>      | 1            |



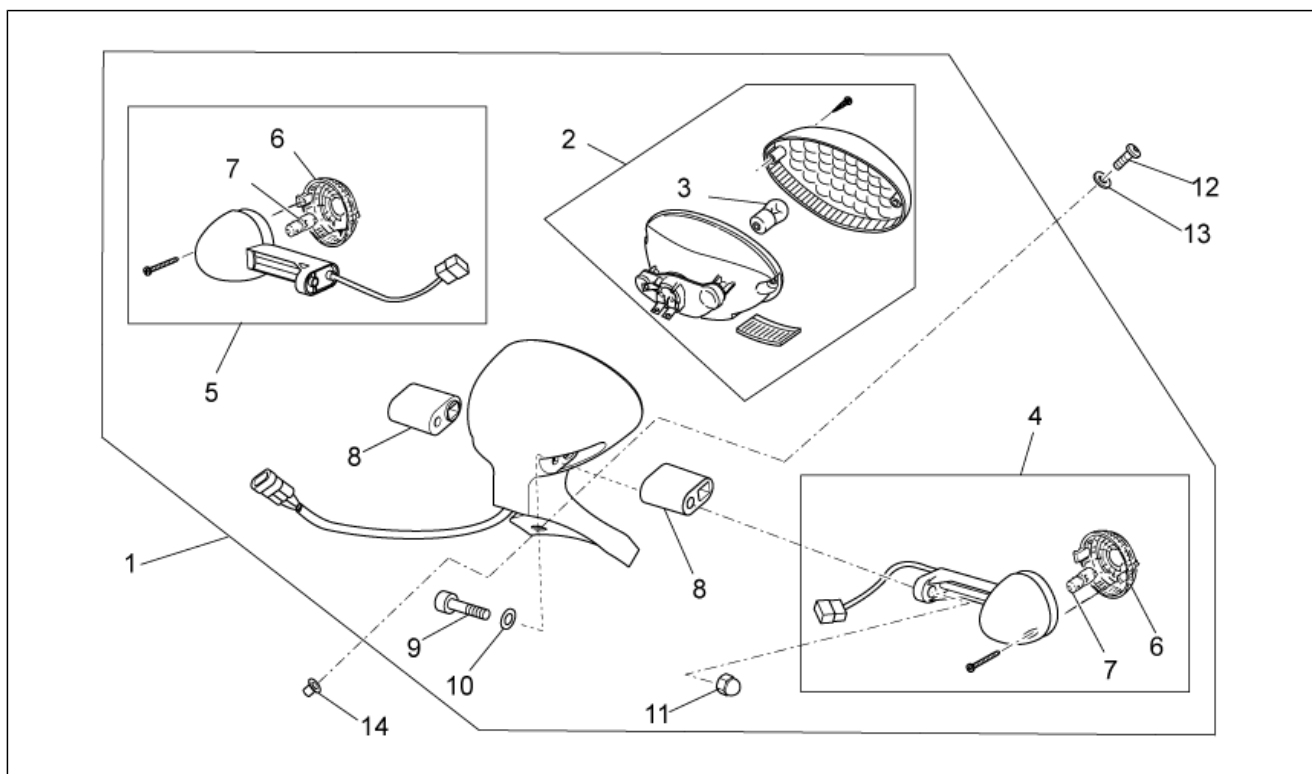
| Pos. | Code       | Beschrijving                | Aant. | Varianten   |
|------|------------|-----------------------------|-------|---|
| 1    | GU32506360 | Steunbeugel licht           | 1     |   |
| 2    | 978311     | Voorlicht                   | 1     | LAND:Canadian[CA], europa[EU], USA[USA]                     |
| 2    | 978662     | Voorlicht m/o geleider li   | 1     | LAND:Australia[AA], Japan[J], Great Britain[UK]             |
| 3    | GU32753410 | Afstandhouder               | 2     |   |
| 4    | GU32750660 | Richt.aanw. voor.re/acht.li | 1     | LAND:Australia[AA], europa[EU], Japan[J], Great Britain[UK] |
| 4    | GU32750661 | Richt.aanw. voor.re/acht.li | 1     | LAND:Canadian[CA], USA[USA]                                 |
| 5    | 883478     | Richt.aanw. voor.li/acht.re | 1     | LAND:Canadian[CA], USA[USA]                                 |
| 5    | GU06751600 | Richt.aanw. voor.li/acht.re | 1     | LAND:Australia[AA], europa[EU], Japan[J], Great Britain[UK] |
| 6    | GU92787006 | Moer blind M6x1             | 2     |   |
| 7    | GU98370655 | Bolbout met binnenzeskant   | 2     |   |
| 8    | GU95021206 | Sluitring                   | 2     |   |
| 9    | 292022     | Lamp 12V-5W                 | 1     |   |
| 10   | 292723     | Lamp H4 60/55W 12V          | 1     |   |
| 11   | 640598     | Moer verchr.                | 1     |   |
| 12   | 981149     | Cap, black                  | 1     | LAND:Canadian[CA], europa[EU], USA[USA]                     |
| 12   | GU06740200 | Kap verchr. voorlicht       | 1     | LAND:Australia[AA], Japan[J], Great Britain[UK]             |
| 13   | AP8152278  | Zeskantbout geflenst M6x16  | 2     |   |
| 14   | GU32753711 | Glas richtingaanw.          | 2     | LAND:Canadian[CA], USA[USA]                                 |
| 14   | GU32753760 | Glas richtingaanw.          | 2     | LAND:Australia[AA], europa[EU], Japan[J], Great Britain[UK] |
| 15   | 584332     | Lamp 12V-10W                | 2     | LAND:Australia[AA], europa[EU], Japan[J], Great Britain[UK] |
| 15   | GU93450127 | Lamp                        | 2     | LAND:Canadian[CA], USA[USA]                                 |
| 16   | 886714     | Claxon                      | 2     |   |
| 17   | GU06740400 | Optische groep              | 1     | LAND:Canadian[CA], europa[EU], USA[USA]                     |
| 18   | GU01744200 | Beugel                      | 6     |   |
| 19   | GU03744760 | Masker claxon               | 2     |   |

|                     |              |
|---------------------|--------------|
| <b>Groep</b>        | FRAME        |
| <b>Code</b>         | 33.28        |
| <b>Beschrijving</b> | Front lights |
| <b>Revisie</b>      | 1            |



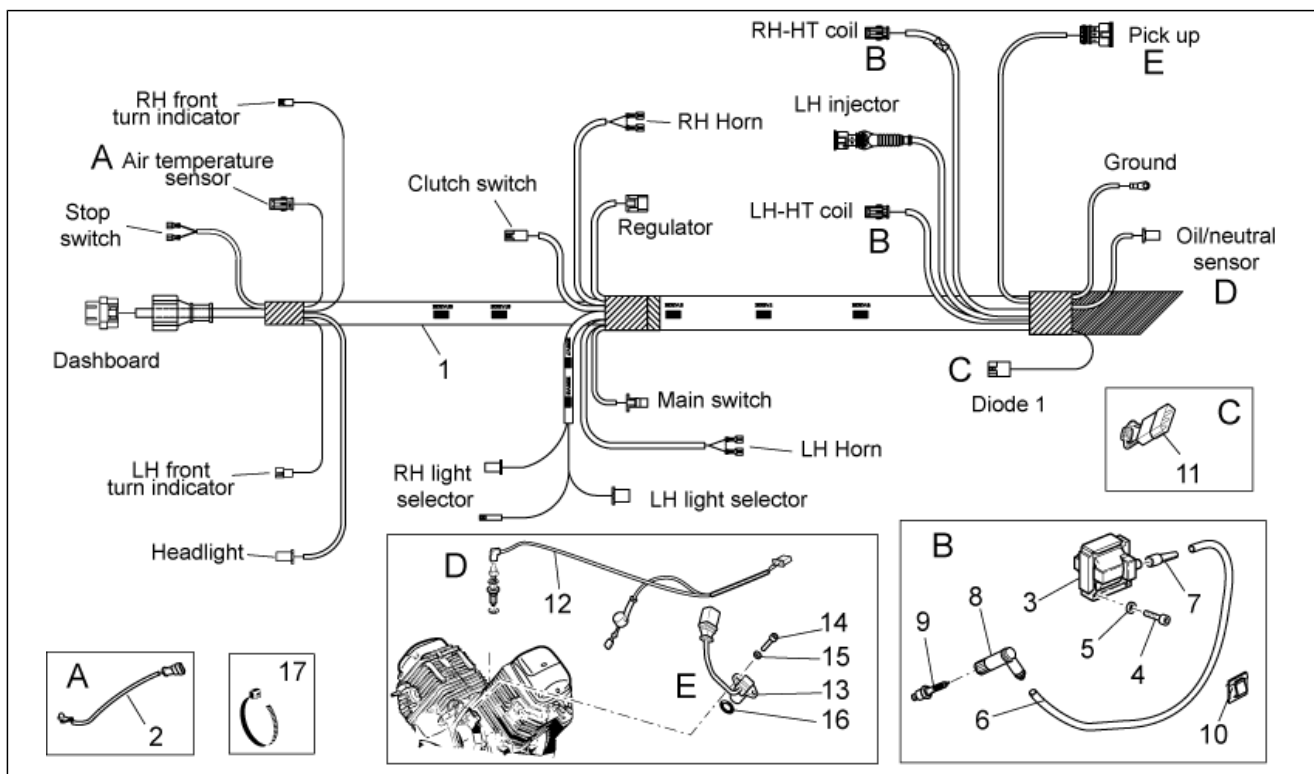
| Pos. | Code          | Beschrijving                    | Aant. | Varianten |
|------|---------------|---------------------------------|-------|-----------|
| 20   | GU28576591    | Clip M6                         | 2     |           |
| 21   | GU98880540    | Bout M10x40                     | 2     |           |
| 22   | GU98370831    | Bolbout met binnenzeskant M8x30 | 2     |           |
| 23   | GU95005308    | Sluitring 8,4x14,57x1,6         | 2     |           |
| 24   | GU95100141    | Sluitring 6,4x12x1,2            | 2     |           |
| 25   | GU00823931055 | Pakking                         | 1     |           |
| 26   | 883417        | OR-ring                         | 2     |           |

|                     |             |
|---------------------|-------------|
| <b>Groep</b>        | FRAME       |
| <b>Code</b>         | 33.29       |
| <b>Beschrijving</b> | Rear lights |
| <b>Revisie</b>      | 1           |



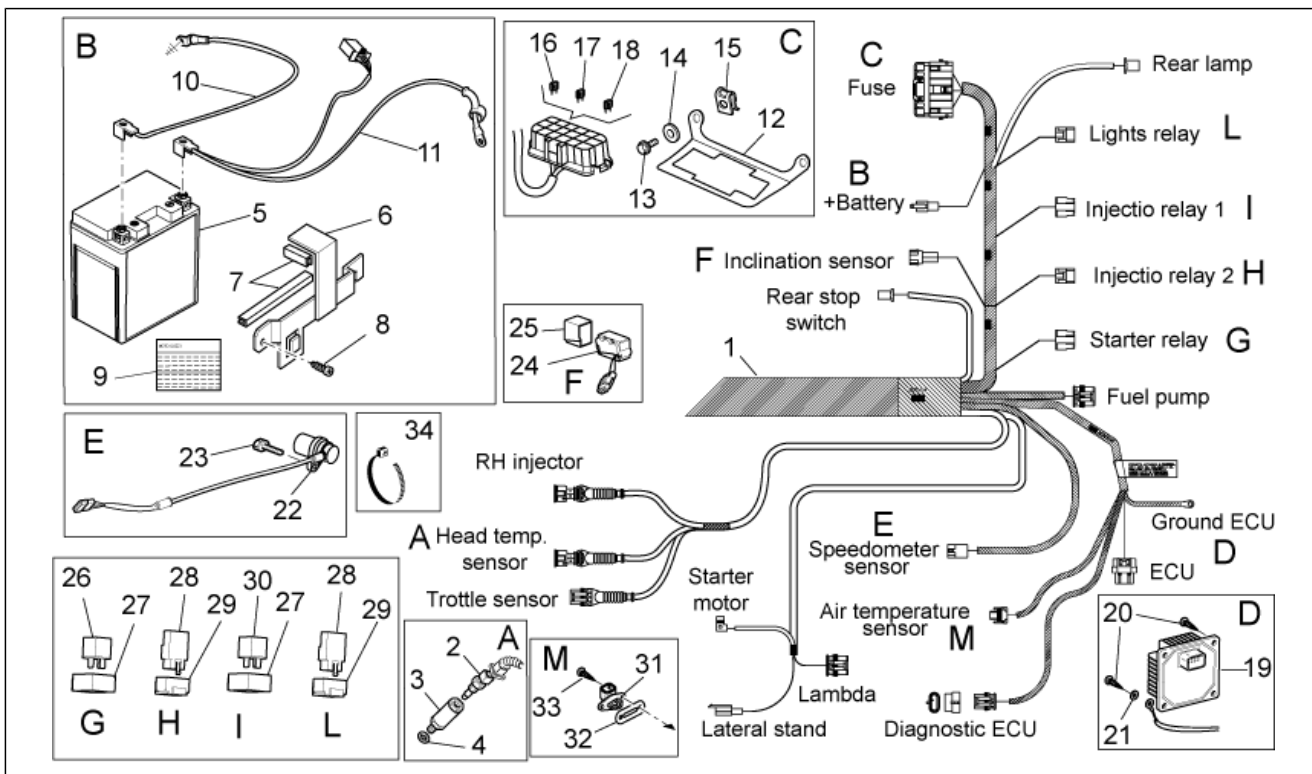
| Pos. | Code       | Beschrijving                | Aant. | Varianten   |
|------|------------|-----------------------------|-------|---|
| 1    | 883479     | Achterlicht cpl.            | 1     | LAND:Canadian[CA], USA[USA]                                 |
| 1    | 97895015   | Achterlicht cpl.            | 1     | LAND:Australia[AA], europa[EU], Japan[J], Great Britain[UK] |
| 2    | GU03740930 | Achterlicht                 | 1     |   |
| 3    | GU93450224 | Lamp                        | 1     |   |
| 4    | GU32750660 | Richt.aanw. voor.re/acht.li | 1     | LAND:Australia[AA], europa[EU], Japan[J], Great Britain[UK] |
| 4    | GU32750661 | Richt.aanw. voor.re/acht.li | 1     | LAND:Canadian[CA], USA[USA]                                 |
| 5    | GU06751600 | Richt.aanw. voor.li/acht.re | 1     |   |
| 5    | GU06751601 | Richt.aanw. voor.li/acht.re | 1     | LAND:Canadian[CA], USA[USA]                                 |
| 6    | GU32753711 | Glas richtingaanw.          | 2     | LAND:Canadian[CA], USA[USA]                                 |
| 6    | GU32753760 | Glas richtingaanw.          | 2     | LAND:Australia[AA], europa[EU], Japan[J], Great Britain[UK] |
| 7    | 584332     | Lamp 12V-10W                | 2     | LAND:Australia[AA], europa[EU], Japan[J], Great Britain[UK] |
| 7    | GU93450127 | Lamp                        | 2     | LAND:Canadian[CA], USA[USA]                                 |
| 8    | GU32753410 | Afstandhouder               | 2     |   |
| 9    | GU98370655 | Bolbout met binnenzeskant   | 2     |   |
| 10   | GU95021206 | Sluitring                   | 2     |   |
| 11   | GU92787006 | Moer blind M6x1             | 2     |   |
| 12   | GU98350215 | Bolbout met binnenzeskant   | 3     |   |
| 13   | GU30577800 | Sluitring in nylon 5,5X12X1 | 3     |   |
| 14   | GU93231605 | Huls antitrilling           | 3     |   |

|                     |                     |
|---------------------|---------------------|
| <b>Groep</b>        | FRAME               |
| <b>Code</b>         | 33.30               |
| <b>Beschrijving</b> | Electrical system I |
| <b>Revisie</b>      | 1                   |



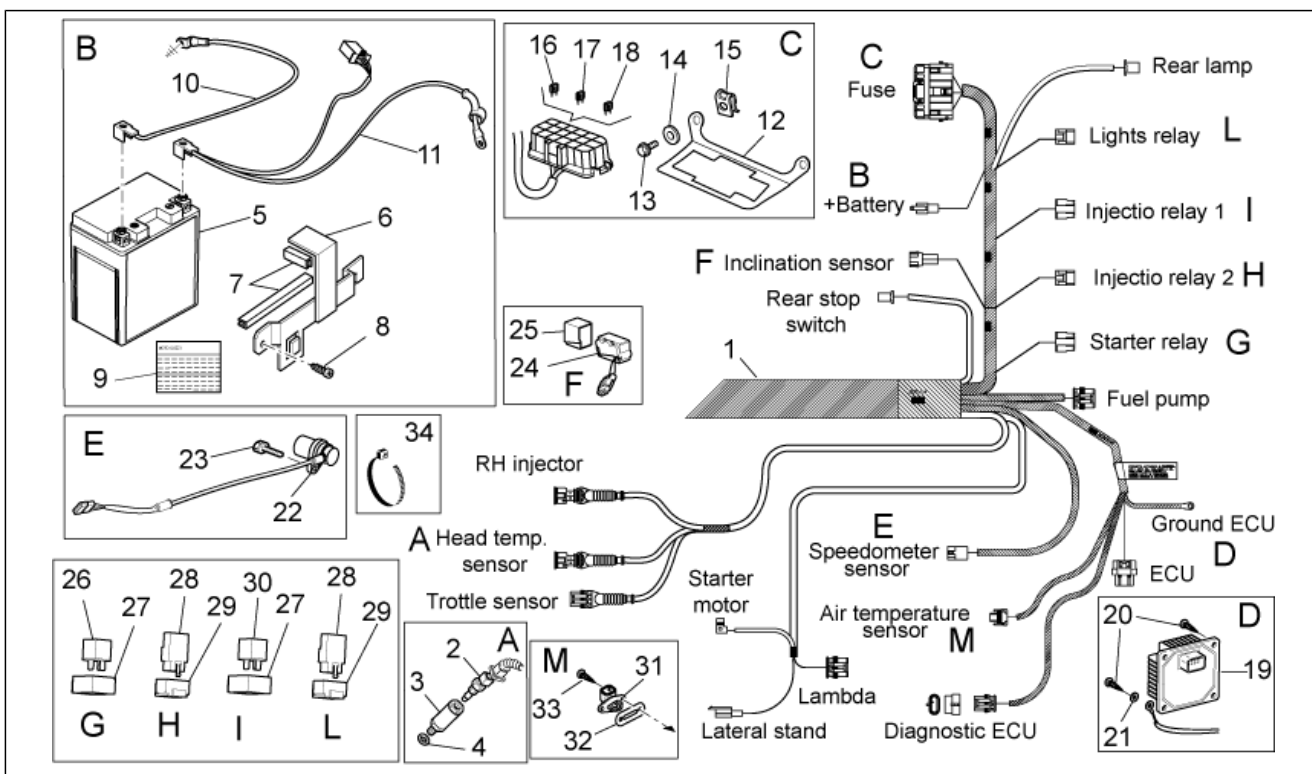
| Pos. | Code       | Beschrijving              | Aant. | Varianten |
|------|------------|---------------------------|-------|-----------|
| 1    | 883077     | Hoofdzakelijke bekabeling | 1     |           |
| 2    | AP8124936  | Sensor luchttemperatuur   | 1     |           |
| 3    | GU30716500 | H.S. bobine               | 2     |           |
| 4    | GU98682125 | Binnenzeskantbout         | 4     |           |
| 5    | GU95008204 | Sluitring 4,3x8x0,5       | 4     |           |
| 6    | GU01718330 | H.S. kabel                | 2     |           |
| 7    | GU14717600 | Kapje                     | 2     |           |
| 8    | GU01717430 | Pipet bougie              | 2     |           |
| 9    | GU31717061 | Bougie NGK BR8ES          | 2     |           |
| 10   | AP8120708  | Kabelgeleider             | 6     |           |
| 11   | AP8212588  | Veiligheidsdiode          | 1     |           |
| 12   | GU32724510 | Bekabeling vrij-olie      | 1     |           |
| 13   | GU01721600 | Fasesensor                | 1     |           |
| 14   | GU98682212 | Binnenzeskantbout M5x12   | 2     |           |
| 15   | GU95008205 | Sluitring 5,3x10x0,8      | 2     |           |
| 16   | GU90706141 | OR-ring                   | 1     |           |
| 17   | GU14609650 | Klemmetje 3,6x20,6        | 31    |           |
| 17   | GU49609601 | Klemmetje 2,4x92          | 1     |           |

|                     |                      |
|---------------------|----------------------|
| <b>Groep</b>        | FRAME                |
| <b>Code</b>         | 33.31                |
| <b>Beschrijving</b> | Electrical system II |
| <b>Revisie</b>      | 1                    |



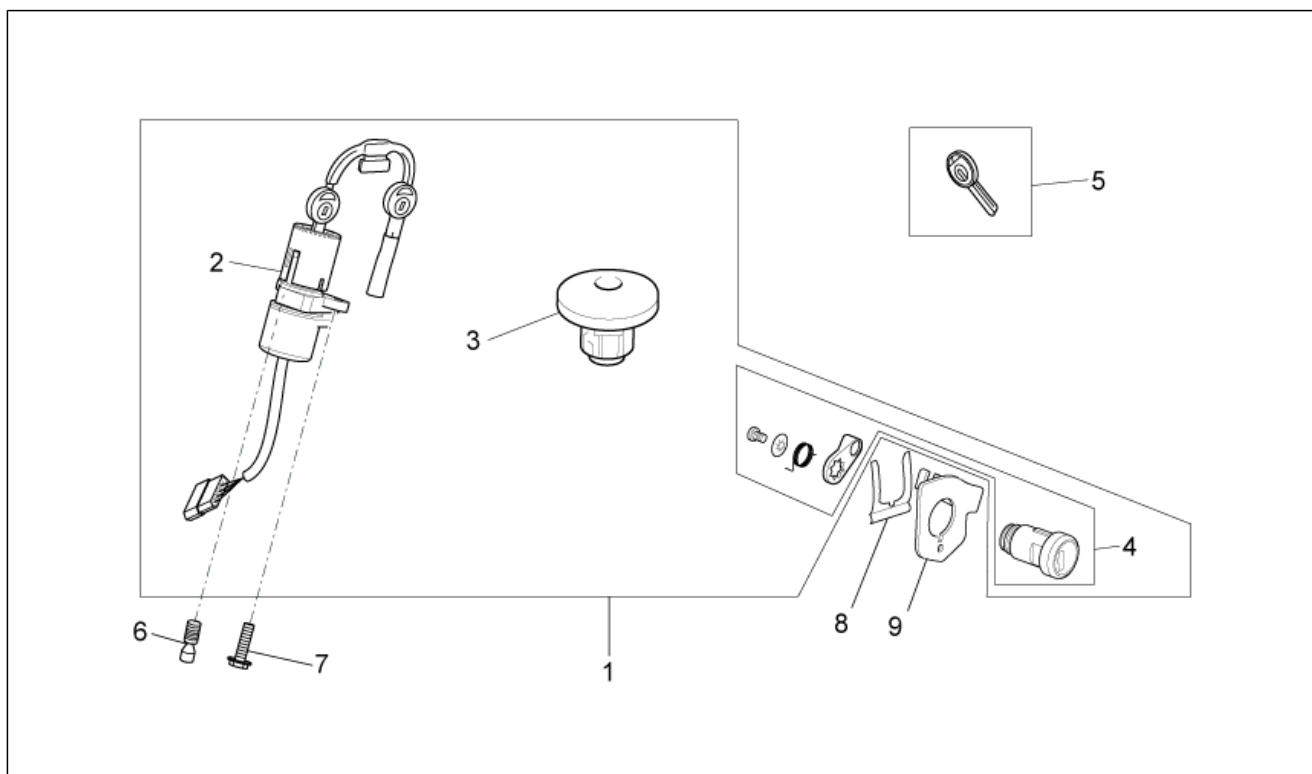
| Pos. | Code       | Beschrijving                  | Aant. | Varianten   |
|------|------------|-------------------------------|-------|---|
| 1    | 883077     | Hoofdzakelijke bekabeling     | 1     |   |
| 2    | GU29729461 | Temperatuursensor olie        | 1     |   |
| 3    | GU03163330 | Steun sensor                  | 1     |   |
| 4    | GU95004210 | Sluitring 10,2x18x2           | 1     |   |
| 5    | 640201     | Accu                          | 1     |   |
| 6    | GU32418210 | Beugel                        | 1     |   |
| 7    | AP8144538  | Pakking                       | 1     |   |
| 8    | AP8152329  | Bout SWP kruiskop gefl. M5x20 | 2     |   |
| 9    | GU32517710 | Plaat "Battery service"       | 1     |   |
| 10   | GU32747910 | Bekabeling massa-accu         | 1     |   |
| 11   | 883191     | Bekabeling                    | 1     |   |
| 12   | 883161     | Steun zek.houder              | 1     |   |
| 13   | GU98682212 | Binnenzeskantbout M5x12       | 2     |   |
| 14   | GU95100059 | Sluitring 5,25x14x1,5         | 2     |   |
| 15   | AP8102375  | Clip m5                       | 2     |   |
| 16   | 290860     | Zekering 15A                  | 3     |   |
| 17   | AP8127346  | Zekering 3A                   | 1     |   |
| 18   | GU28742562 | Zekering 30A                  | 2     |   |
| 19   | 883798     | Centrale                      | 1     | LAND:Australia[AA], europa[EU], Great Britain[UK] |
| 19   | CM2271024  | Centrale                      | 1     | LAND:Japan[J]                                     |
| 20   | AP8152329  | Bout SWP kruiskop gefl. M5x20 | 4     |   |
| 21   | GU95129101 | Sluitring                     | 1     |   |
| 22   | AP8124528  | Sensor snelheidsmeter cpl.    | 1     |   |
| 23   | AP8152277  | Zeskantbout geflenst M6x12    | 2     |   |
| 24   | 584509     | Sensore antiribaltamento      | 1     |   |
| 25   | AP8144046  | Steunrubbertje sensor         | 1     |   |
| 26   | GU29732550 | Relais schakelaar 5 pin       | 1     |   |
| 27   | AP8220546  | Rubbertje steun relais        | 2     |   |

|                     |                      |
|---------------------|----------------------|
| <b>Groep</b>        | FRAME                |
| <b>Code</b>         | 33.31                |
| <b>Beschrijving</b> | Electrical system II |
| <b>Revisie</b>      | 1                    |



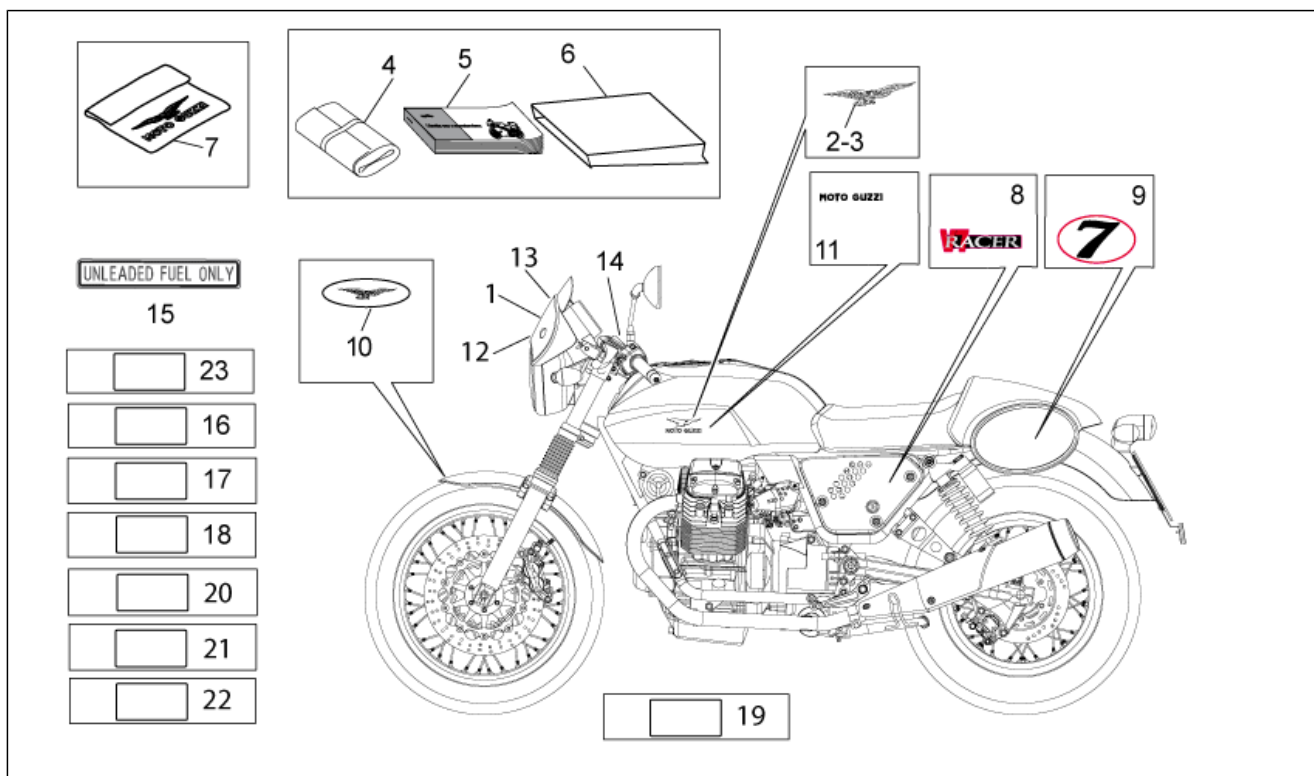
| Pos. | Code       | Beschrijving            | Aant. | Varianten |
|------|------------|-------------------------|-------|-----------|
| 28   | AP8124869  | Relais injectie         | 2     |           |
| 29   | AP8220283  | Rubbetje *              | 2     |           |
| 30   | AP8224462  | Relais 12V/30A          | 1     |           |
| 31   | GU30729330 | Sensor luchttemperatuur | 1     |           |
| 32   | GU30027931 | Pakking                 | 1     |           |
| 33   | AP8150421  | Zelftap. bout 2,9x12    | 2     |           |
| 34   | GU14609650 | Klemmetje 3,6x20,6      | 31    |           |
| 34   | GU49609601 | Klemmetje 2,4x92        | 1     |           |

|                     |                   |
|---------------------|-------------------|
| <b>Groep</b>        | FRAME             |
| <b>Code</b>         | 33.32             |
| <b>Beschrijving</b> | Lock hardware kit |
| <b>Revisie</b>      | 1                 |



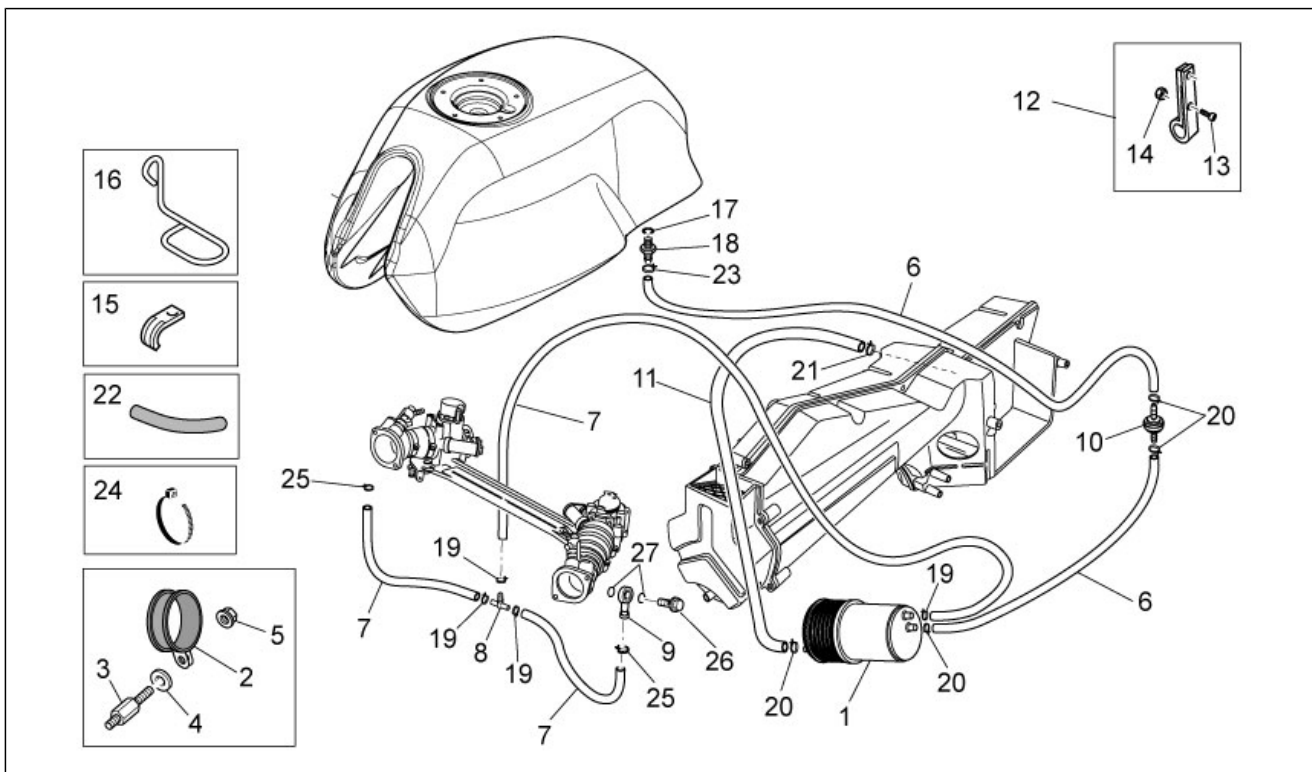
| Pos. | Code       | Beschrijving            | Aant. | Varianten   |
|------|------------|-------------------------|-------|---|
| 1    | 883182     | Kit sloten              | 1     | LAND:Australia[AA], europa[EU], Japan[J], Great Britain[UK] |
| 1    | 883477     | Kit sloten              | 1     | LAND:Canadian[CA], USA[USA]                                 |
| 2    | GU32782510 | Starblokje-blokk.       | 1     |   |
| 3    | 883185     | Tankdop                 | 1     | LAND:Australia[AA], europa[EU], Japan[J], Great Britain[UK] |
| 3    | 883476     | Tankdop                 | 0     | LAND:Canadian[CA], USA[USA]                                 |
| 4    | 977527     | Zadelslot               | 1     |   |
| 5    | GU32735510 | Sleutel glad ruw-dop go | 1     |   |
| 5    | GU32735511 | Sleutel glad ruw-dop cr | 1     |   |
| 6    | AP8150349  | Speciale bout M8x15     | 1     |   |
| 7    | GU98682416 | Binnenzeskantbout       | 1     |   |
| 8    | AP8121420  | Vorkveer                | 1     |   |
| 9    | 978415     | Plaatje steun kabel     | 1     |   |

|                     |                     |
|---------------------|---------------------|
| <b>Groep</b>        | FRAME               |
| <b>Code</b>         | 33.33               |
| <b>Beschrijving</b> | Decal and plate set |
| <b>Revisie</b>      | 1                   |



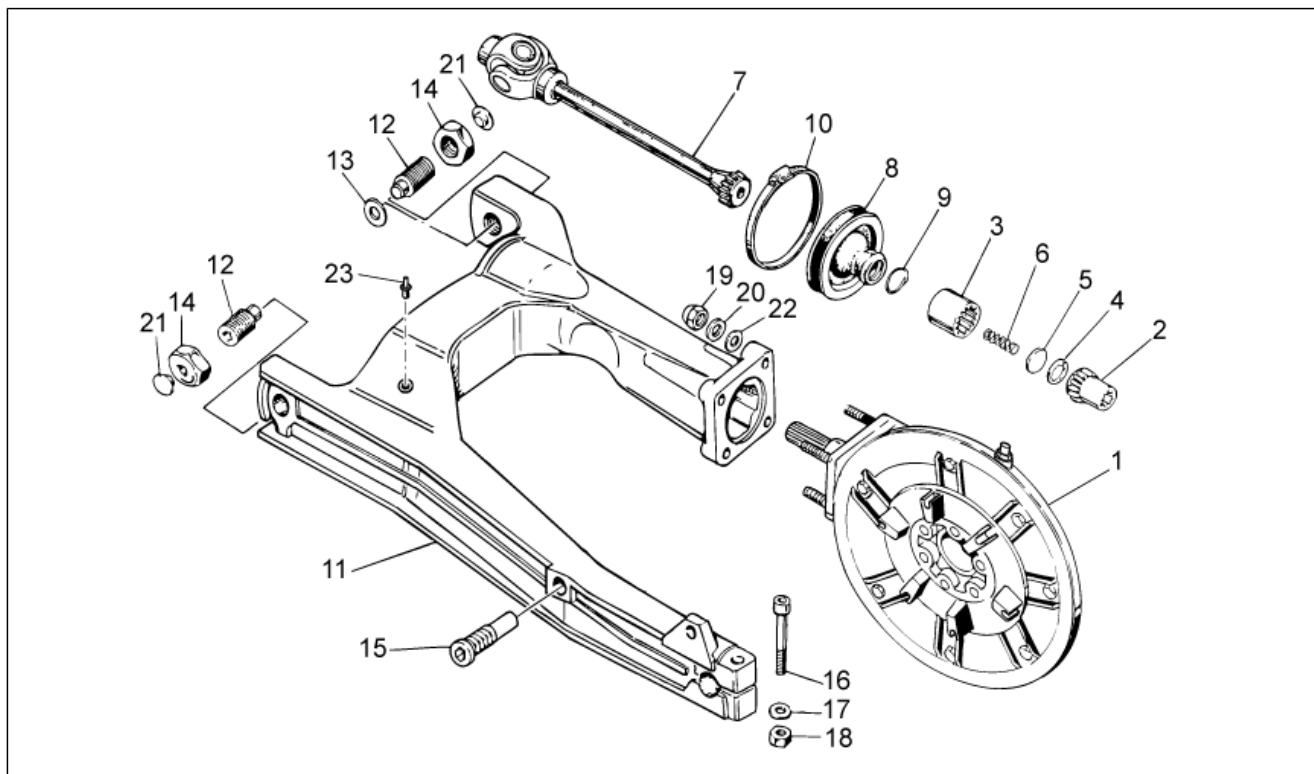
| Pos. | Code       | Beschrijving                | Aant. | Varianten   |
|------|------------|-----------------------------|-------|---|
| 1    | 886639     | Decalco kapje "7"           | 1     |   |
| 2    | 898174     | Decalco re "Aquila"         | 1     |   |
| 3    | 886678     | Decalco li "Aquila"         | 1     |   |
| 4    | GU32909960 | Gereedschapstas             | 2     |   |
| 5    | 886709     | Boekje gebruik/ond.         | 1     | LAND:Australia[AA], europa[EU], Japan[J], Great Britain[UK] |
| 5    | 887206     | LUM usa-can-                | 1     | LAND:Canadian[CA], USA[USA]                                 |
| 6    | GU05900130 | Zakje voor documenten       | 1     |   |
| 7    | GU30970200 | Doek voert.bedekk.          | 1     |   |
| 8    | 886643     | Plaatjes V7 Racer           | 2     |   |
| 9    | 886640     | Dec.eindstuk                | 2     |   |
| 10   | 886141     | Plaat "Aquila"              | 1     |   |
| 11   | 886825     | Plaat "Moto Guzzi"          | 1     |   |
| 12   | 886638     | Decalco schroefdr. rood     | 1     |   |
| 13   | 886637     | Decalco schroefdr. rood     | 1     |   |
| 14   | 886644     | Plaatjes "RACER"            | 1     |   |
| 15   | GU03995730 | Plaat "Unleaded Fuelonly"   | 1     | LAND:Australia[AA], Canadian[CA], USA[USA]                  |
| 16   | AP8257742  | Keys warning decal          | 1     | LAND:Canadian[CA], USA[USA]                                 |
| 17   | AP8257794  | Battery decal               | 1     | LAND:Canadian[CA], USA[USA]                                 |
| 18   | AP8257609  | Mirror decal                | 2     | LAND:Canadian[CA], USA[USA]                                 |
| 19   | 883930     | Decalco bandenspanning      | 1     | LAND:Canadian[CA], USA[USA]                                 |
| 20   | 883911     | Decalco geluidsemissie      | 1     | LAND:Canadian[CA], USA[USA]                                 |
| 21   | 883912     | Decalco vervuilende emissie | 1     | LAND:Canadian[CA], USA[USA]                                 |
| 22   | 883912     | Decalco vervuilende emissie | 1     | LAND:Canadian[CA], USA[USA]                                 |
| 23   | 672381     | Plaatje ices-002            | 1     | LAND:Canadian[CA]   |

|                     |                            |
|---------------------|----------------------------|
| <b>Groep</b>        | FRAME                      |
| <b>Code</b>         | 33.51                      |
| <b>Beschrijving</b> | Fuel vapour recover system |
| <b>Revisie</b>      | 1                          |



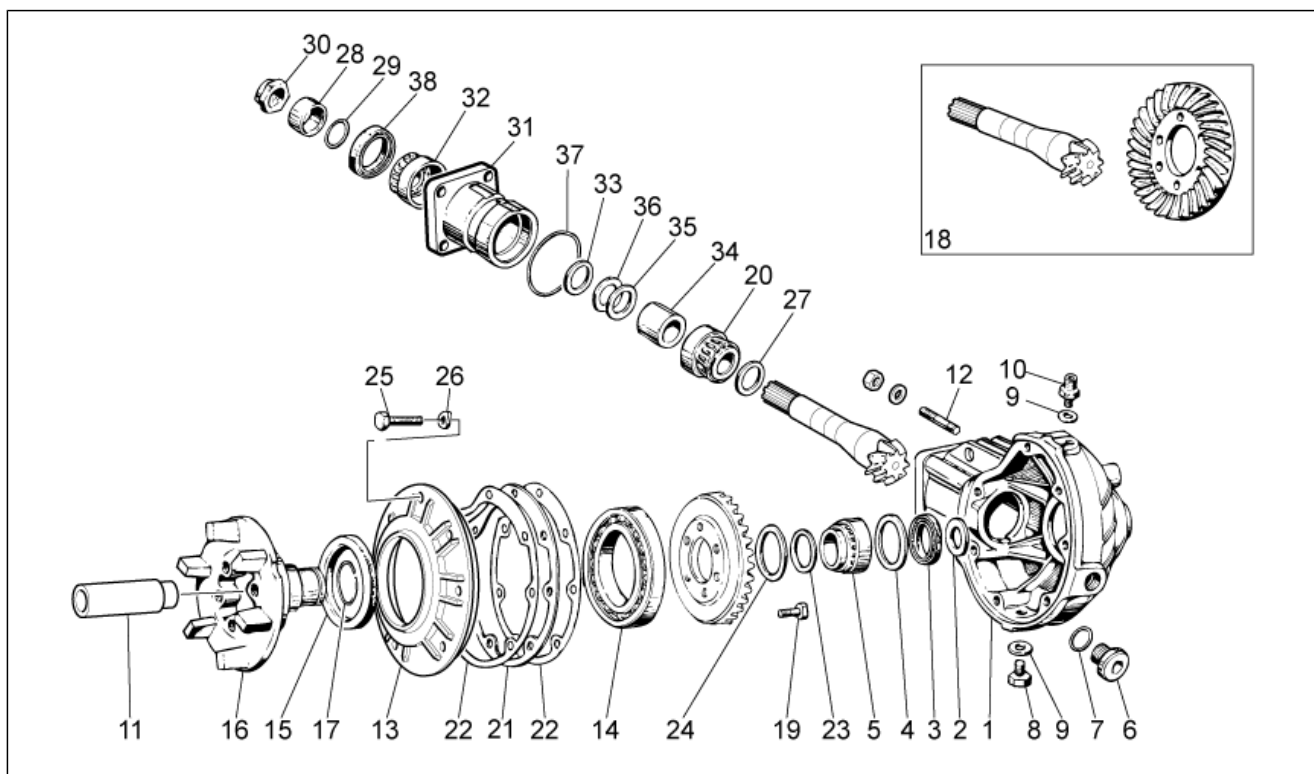
| Pos. | Code          | Beschrijving            | Aant. | Varianten                   |
|------|---------------|-------------------------|-------|-----------------------------|
| 1    | AP8102678     | Koolfilter              | 1     | LAND:Canadian[CA], USA[USA] |
| 2    | AP8102688     | Klemmetje d.76          | 1     | LAND:Canadian[CA], USA[USA] |
| 3    | GU32439260    | Houder canister USA     | 1     | LAND:Canadian[CA], USA[USA] |
| 4    | GU95005311    | Sluitring               | 1     | LAND:Canadian[CA], USA[USA] |
| 5    | AP8152299     | Zelfborg.bout gefl. M6  | 1     | LAND:Canadian[CA], USA[USA] |
| 6    | 856063        | Buis SAE 30 d.12,7x6,35 | 2     | LAND:Canadian[CA], USA[USA] |
| 7    | 856062        | Buis SAE 30 d.11,11x4,8 | 3     | LAND:Canadian[CA], USA[USA] |
| 8    | AP8120116     | Driewegsverbinding      | 1     | LAND:Canadian[CA], USA[USA] |
| 9    | GU95963062    | Verbinding              | 2     | LAND:Canadian[CA], USA[USA] |
| 10   | 860138        | Klep                    | 1     | LAND:Canadian[CA], USA[USA] |
| 11   | 856064        | Buis SAE 30 d.14,3x7,9  | 1     | LAND:Canadian[CA], USA[USA] |
| 12   | GU03658330    | Klemmetje               | 1     | LAND:Canadian[CA], USA[USA] |
| 13   | GU98257410    | Bout                    | 1     | LAND:Canadian[CA], USA[USA] |
| 14   | GU92630104    | Moer M4x0,7             | 1     | LAND:Canadian[CA], USA[USA] |
| 15   | GU93301313    | Beugel                  | 1     | LAND:Canadian[CA], USA[USA] |
| 16   | AP8221114     | Kabelgeleider           | 2     | LAND:Canadian[CA], USA[USA] |
| 17   | AP8120965     | OR-ring 2018            | 1     | LAND:Canadian[CA], USA[USA] |
| 18   | GU30103730    | Verbinding              | 1     | LAND:Canadian[CA], USA[USA] |
| 19   | GU29108550    | Klikband 11,5x6         | 6     | LAND:Canadian[CA], USA[USA] |
| 20   | GU28157950    | Klikband 12,5x8         | 5     | LAND:Canadian[CA], USA[USA] |
| 21   | AP8102766     | Klemmetje               | 1     | LAND:Canadian[CA], USA[USA] |
| 22   | GU00823923140 | Thermische gaine        | 4     | LAND:Canadian[CA], USA[USA] |
| 23   | AP8201358     | Klemmetje D 11,9        | 1     | LAND:Canadian[CA], USA[USA] |
| 24   | GU14609650    | Klemmetje 3,6x20,6      | 3     | LAND:Canadian[CA], USA[USA] |
| 25   | AP8102378     | Klemmetje D11,3         | 2     | LAND:Canadian[CA], USA[USA] |
| 26   | GU95990023    | Geperfor. bout          | 2     | LAND:Canadian[CA], USA[USA] |
| 27   | GU90706009    | OR-ring 6x1             | 4     | LAND:Canadian[CA], USA[USA] |

|                     |                         |
|---------------------|-------------------------|
| <b>Groep</b>        | ENGINE                  |
| <b>Code</b>         | 34.09                   |
| <b>Beschrijving</b> | Transmission complete I |
| <b>Revisie</b>      | 1                       |



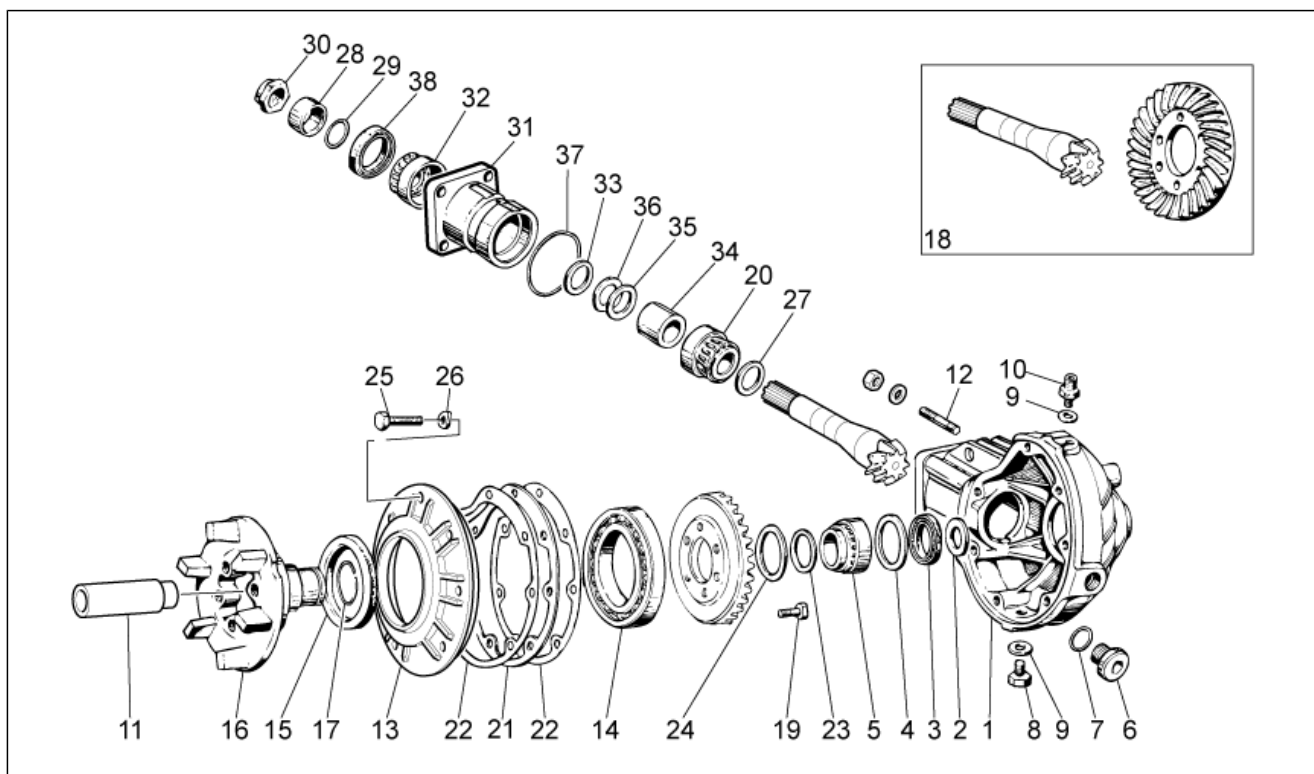
| Pos. | Code       | Beschrijving               | Aant. | Varianten |
|------|------------|----------------------------|-------|-----------|
| 1    | 976941     | Transmissiedoos cpl. zwart | 1     |           |
| 2    | GU31327783 | Mof                        | 1     |           |
| 3    | GU19328801 | Mof                        | 1     |           |
| 4    | GU90272023 | Seegerring                 | 1     |           |
| 5    | GU19327601 | Schijf                     | 1     |           |
| 6    | GU94321099 | Veer                       | 1     |           |
| 7    | GU23328081 | Cardankoppeling            | 1     |           |
| 8    | GU23548080 | Besch.band                 | 1     |           |
| 9    | GU23548180 | Veer                       | 1     |           |
| 10   | AP8120246  | Klemmetje D=60-80          | 1     |           |
| 11   | 886676     | Vork v.rood                | 1     |           |
| 12   | GU19547000 | Pin                        | 2     |           |
| 13   | GU35214300 | Dikte                      | 1     |           |
| 14   | GU31547882 | Moer                       | 2     |           |
| 15   | GU31544181 | Pin                        | 1     |           |
| 16   | GU98680545 | Bout M10x45                | 1     |           |
| 17   | GU95008210 | Sluitring 10,2X18X2        | 1     |           |
| 18   | GU92606210 | Moer M10x1,5               | 1     |           |
| 19   | GU92787008 | Moer blind M8x1,25         | 4     |           |
| 20   | GU14615901 | Sluitring 8,4X13X0,8       | 4     |           |
| 21   | GU93180105 | Dop                        | 2     |           |
| 22   | GU95005308 | Sluitring 8,4x14,57x1,6    | 4     |           |
| 23   | GU03922280 | Dop 5x9                    | 1     |           |

|                     |                          |
|---------------------|--------------------------|
| <b>Groep</b>        | ENGINE                   |
| <b>Code</b>         | 34.10                    |
| <b>Beschrijving</b> | Transmission complete II |
| <b>Revisie</b>      | 1                        |



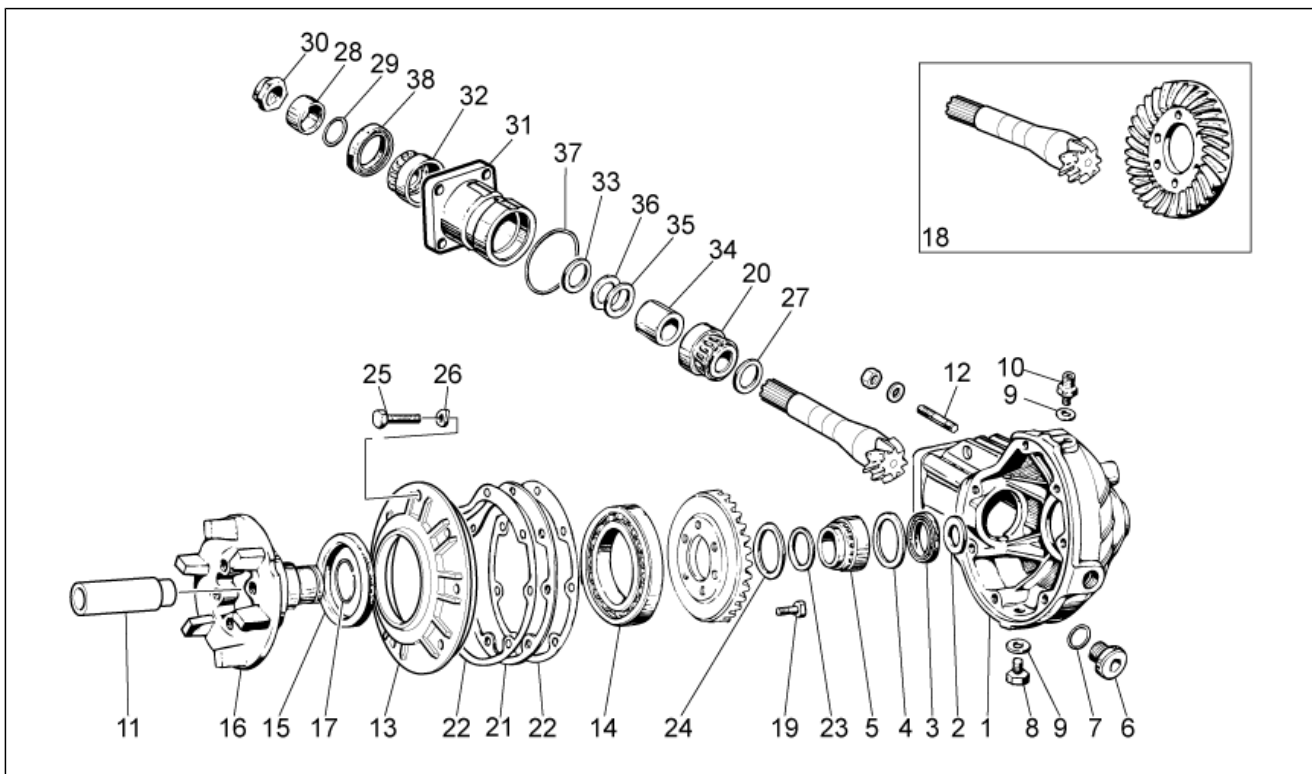
| Pos. | Code       | Beschrijving             | Aant. | Varianten |
|------|------------|--------------------------|-------|-----------|
| 1    | 976608     | Doos transm. zwart       | 1     |           |
| 2    | GU19351900 | Steunende sluitring      | 1     |           |
| 3    | GU90403549 | Dichtingsring 35x47x7    | 1     |           |
| 4    | GU19351100 | Steunende sluitring      | 1     |           |
| 5    | GU92252235 | Rollager 35x50x17        | 1     |           |
| 6    | GU12022600 | Oliedop                  | 1     |           |
| 7    | GU90706203 | OR-ring 20,24X2,62       | 1     |           |
| 8    | GU31003766 | Afvoerdop olie M10x1     | 1     |           |
| 9    | GU01528930 | Pakking 10x18x1,5        | 2     |           |
| 10   | GU19206501 | Dop ontluchting          | 1     |           |
| 11   | GU32633560 | Afstandhouder            | 1     |           |
| 12   | GU96508055 | Stiftbout                | 4     |           |
| 13   | GU32350410 | Bedekking                | 1     |           |
| 14   | GU92201070 | Kogellager 70x110x13     | 1     |           |
| 15   | GU90407591 | Dichtingsring 75x95x10   | 1     |           |
| 16   | GU32351410 | Pin                      | 1     |           |
| 17   | GU90353030 | Blokkeerring             | 1     |           |
| 18   | GU32354610 | Conisch koppel 8/33      | 1     |           |
| 19   | GU03067730 | Bout M8x25               | 6     |           |
| 20   | GU92249227 | Conische kogellager 25x5 | 1     |           |
| 21   | GU19355400 | Dikte 0,8 mm             | 1     |           |
| 21   | GU19355402 | Dikte 0,9 mm             | 1     |           |
| 21   | GU19355404 | Dikte 1 mm               | 1     |           |
| 21   | GU19355406 | Dikte 1,1 mm             | 1     |           |
| 21   | GU19355408 | Dikte 1,2 mm             | 1     |           |
| 21   | GU19355410 | Dikte 1,3 mm             | 1     |           |
| 21   | GU19355411 | Dikte 1,4 mm             | 1     |           |
| 21   | GU19355412 | Dikte 1,5 mm             | 1     |           |

|                     |                          |
|---------------------|--------------------------|
| <b>Groep</b>        | ENGINE                   |
| <b>Code</b>         | 34.10                    |
| <b>Beschrijving</b> | Transmission complete II |
| <b>Revisie</b>      | 1                        |



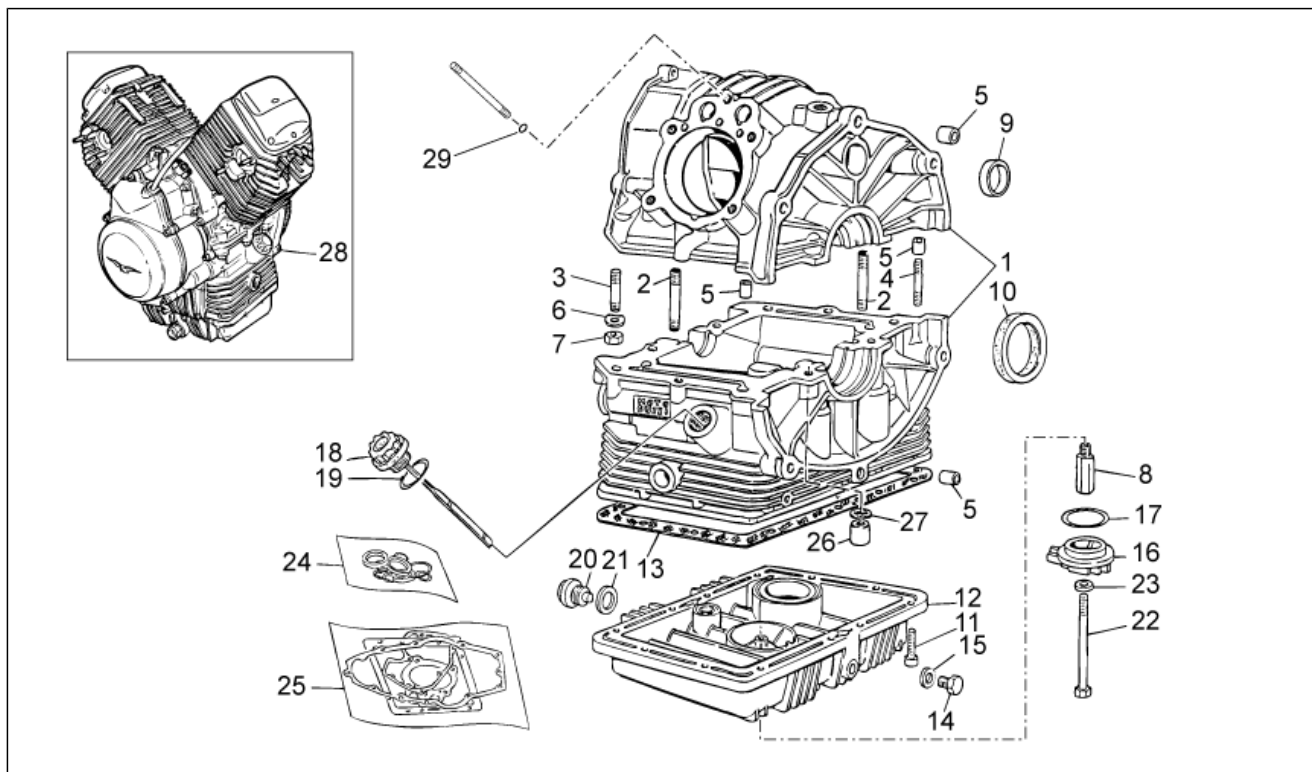
| Pos. | Code       | Beschrijving                  | Aant. | Varianten |
|------|------------|-------------------------------|-------|-----------|
| 21   | GU19355413 | Dikte 1,6 mm                  | 1     |           |
| 22   | GU19350700 | Pakking                       | 2     |           |
| 23   | GU19352300 | Schraapring                   | 1     |           |
| 24   | GU19353500 | Schraapring                   | 1     |           |
| 25   | GU19357660 | Bout                          | 7     |           |
| 26   | GU61270300 | Elastische sluitring 8x15x0,3 | 7     |           |
| 27   | GU19355320 | Dikte 1 mm                    | 1     |           |
| 27   | GU19355321 | Dikte 1,1 mm                  | 1     |           |
| 27   | GU19355322 | Dikte 1,2 mm                  | 1     |           |
| 27   | GU19355323 | Dikte 1,3 mm                  | 1     |           |
| 27   | GU19355324 | Dikte 1,4 mm                  | 1     |           |
| 27   | GU19355325 | Dikte 1,5 mm                  | 1     |           |
| 27   | GU19355326 | Dikte 1,6 mm                  | 1     |           |
| 27   | GU19355327 | Dikte 1,7 mm                  | 1     |           |
| 27   | GU19355328 | Dikte 1,8 mm                  | 1     |           |
| 27   | GU19355329 | Dikte 1,9 mm                  | 1     |           |
| 28   | GU19356801 | Afstandhouder                 | 1     |           |
| 29   | GU90706188 | Dichtingsring 18,77X1,78      | 1     |           |
| 30   | GU19356700 | Moer                          | 1     |           |
| 31   | GU20352421 | Cover                         | 1     |           |
| 32   | GU92249220 | Rollager 20x47x14             | 1     |           |
| 33   | GU19355300 | Dikte 1 mm                    | 1     |           |
| 33   | GU19355301 | Dikte 1,1 mm                  | 1     |           |
| 33   | GU19355302 | Dikte 1,2 mm                  | 1     |           |
| 33   | GU19355303 | Dikte 1,3 mm                  | 1     |           |
| 33   | GU19355304 | Dikte 1,4 mm                  | 1     |           |
| 33   | GU19355305 | Dikte 1,5 mm                  | 1     |           |
| 33   | GU19355306 | Dikte 1,6 mm                  | 1     |           |

|                     |                          |
|---------------------|--------------------------|
| <b>Groep</b>        | ENGINE                   |
| <b>Code</b>         | 34.10                    |
| <b>Beschrijving</b> | Transmission complete II |
| <b>Revisie</b>      | 1                        |



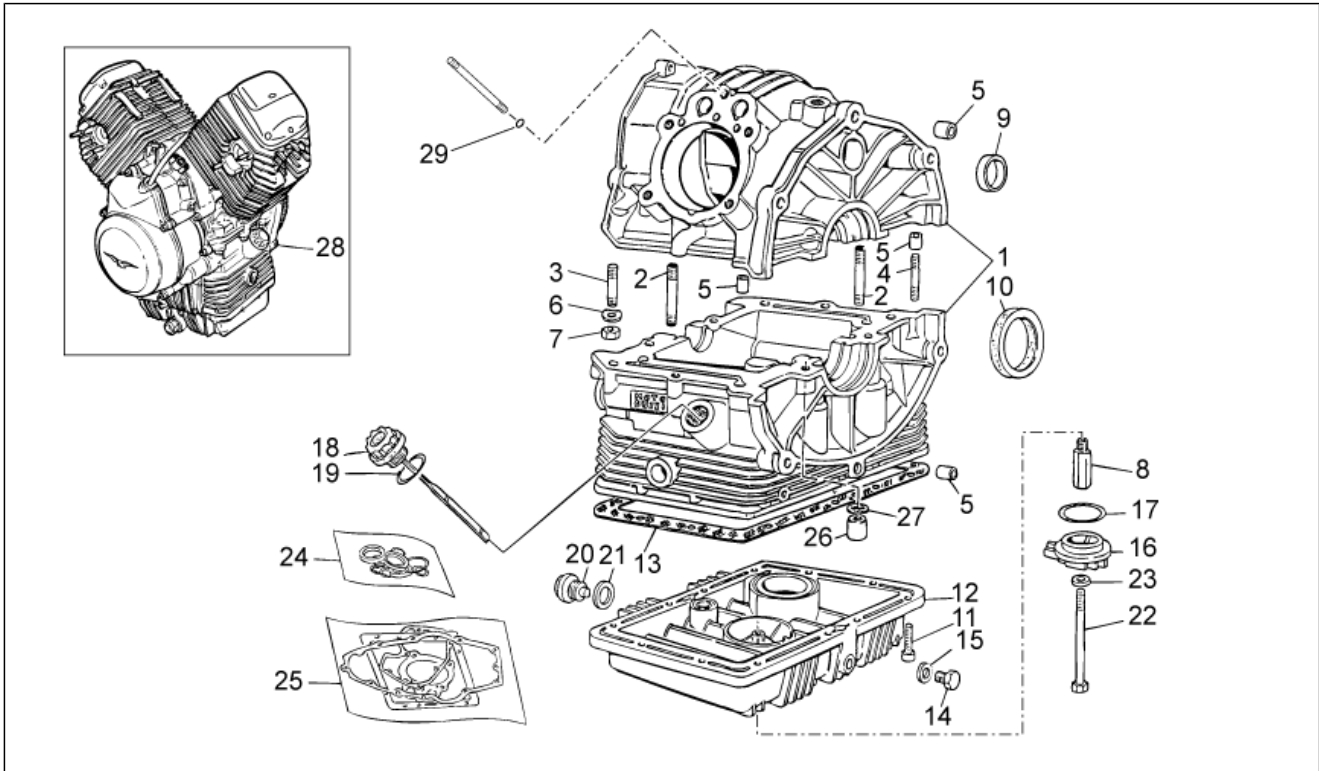
| Pos. | Code       | Beschrijving             | Aant. | Varianten |
|------|------------|--------------------------|-------|-----------|
| 33   | GU19355307 | Dikte 1,7 mm             | 1     |           |
| 33   | GU19355308 | Dikte 1,8 mm             | 1     |           |
| 33   | GU19355309 | Dikte 1,9 mm             | 1     |           |
| 34   | GU20355121 | Afstandhouder            | 1     |           |
| 35   | GU19355200 | Sluitring regel. 0,1 mm  | 1     |           |
| 36   | GU19355202 | Sluitring regel. 0,15 mm | 1     |           |
| 37   | GU90706584 | Pakking 58,42x2,62       | 1     |           |
| 38   | GU90403251 | Dichtingsring 32x47x10   | 1     |           |

|                     |            |
|---------------------|------------|
| <b>Groep</b>        | ENGINE     |
| <b>Code</b>         | 34.34      |
| <b>Beschrijving</b> | Crank-case |
| <b>Revisie</b>      | 1          |



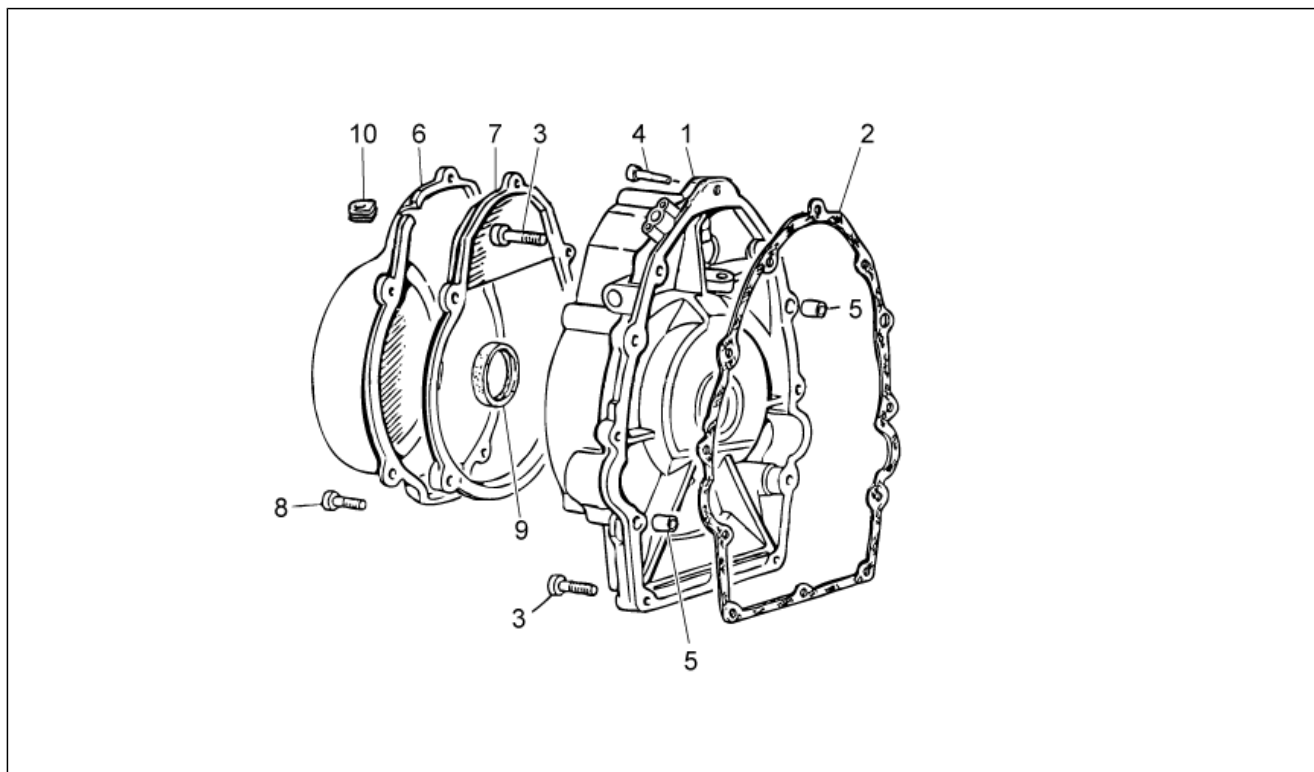
| Pos. | Code       | Beschrijving                  | Aant. | Varianten |
|------|------------|-------------------------------|-------|-----------|
| 1    | 976600     | Onderstel motor zwart         | 1     |           |
| 2    | GU96451560 | Stiftbout                     | 4     |           |
| 3    | GU96451430 | Stiftbout                     | 4     |           |
| 4    | GU96508055 | Stiftbout                     | 2     |           |
| 5    | GU19015020 | Beslagring                    | 4     |           |
| 6    | GU61270300 | Elastische sluitring 8x15x0,3 | 6     |           |
| 7    | GU92606208 | Moer M8x1,25                  | 6     |           |
| 8    | GU19003800 | Verbinding                    | 1     |           |
| 9    | GU19016320 | Dop                           | 1     |           |
| 10   | GU04000500 | Dichtingsring                 | 1     |           |
| 11   | GU98682325 | Binnenzeskantbout M6x25       | 12    |           |
| 12   | 976604     | Oliecarter motor grijs        | 1     |           |
| 13   | GU19003602 | Pakking                       | 1     |           |
| 14   | GU31003766 | Afvoerdop olie M10x1          | 1     |           |
| 15   | GU10528900 | Pakking in aluminium          | 1     |           |
| 16   | 976685     | Bedekking                     | 1     |           |
| 17   | GU90706444 | OR-ring                       | 1     |           |
| 18   | GU27004985 | Invoerdop olie                | 1     |           |
| 19   | GU90706281 | OR-ring 28,24x2,62            | 1     |           |
| 20   | GU12003702 | Afvoerdop olie                | 1     |           |
| 21   | GU95100709 | Pakking 20,1x28x2             | 1     |           |
| 22   | GU27152885 | Schroefbout                   | 1     |           |
| 23   | GU12154200 | Pakking 8,25x15x1             | 1     |           |
| 24   | GU32999510 | Oliekeerringen-serie          | 1     |           |
| 25   | GU32999010 | Pakkingen-serie               | 1     |           |
| 26   | GU13021900 | Kolomv. moer                  | 4     |           |
| 27   | GU95129180 | Sluitring 10,5X18X0,8         | 4     |           |
| 28   | 976939     | Motor cpl. zonder versn.bak   | 1     |           |

|                     |            |
|---------------------|------------|
| <b>Groep</b>        | ENGINE     |
| <b>Code</b>         | 34.34      |
| <b>Beschrijving</b> | Crank-case |
| <b>Revisie</b>      | 1          |



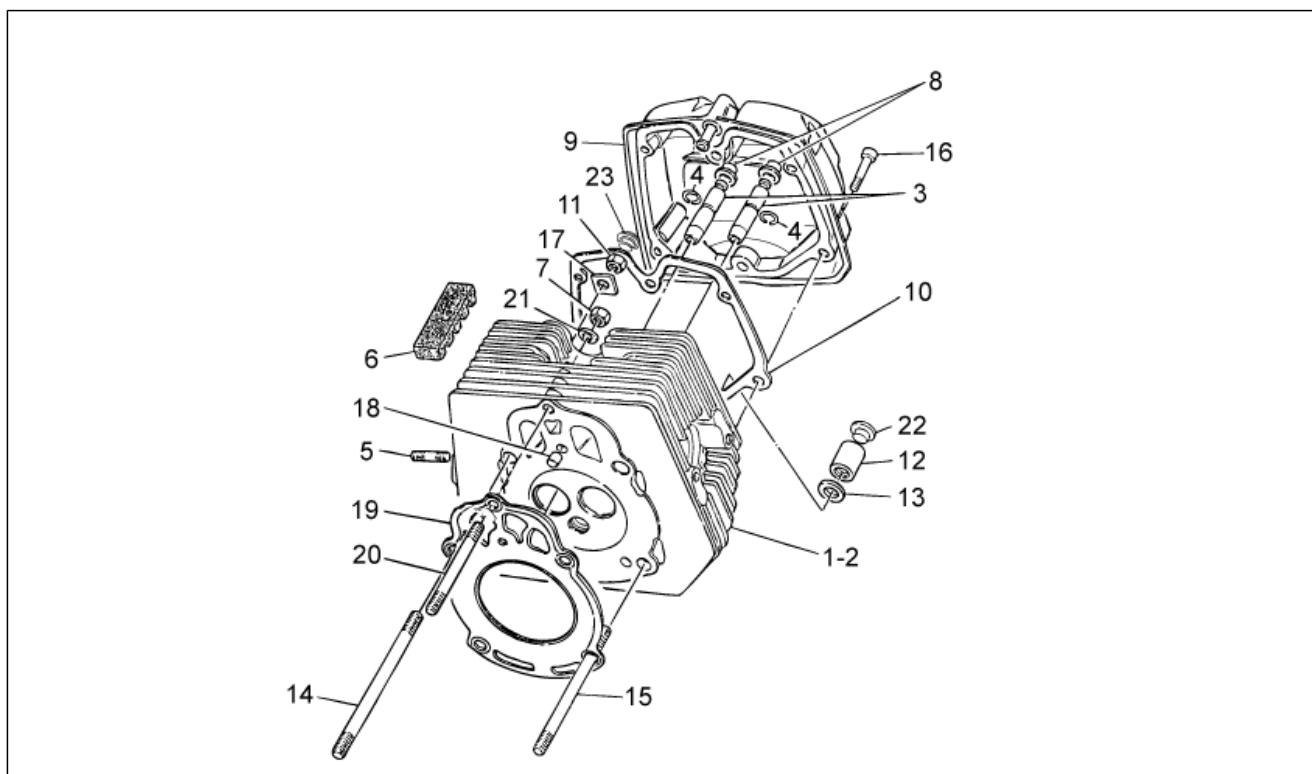
| Pos. | Code       | Beschrijving | Aant. | Varianten |
|------|------------|--------------|-------|-----------|
| 29   | GU90706076 | OR-ring      | 2     |           |

|                     |                     |
|---------------------|---------------------|
| <b>Groep</b>        | ENGINE              |
| <b>Code</b>         | 34.35               |
| <b>Beschrijving</b> | Timing system cover |
| <b>Revisie</b>      | 1                   |



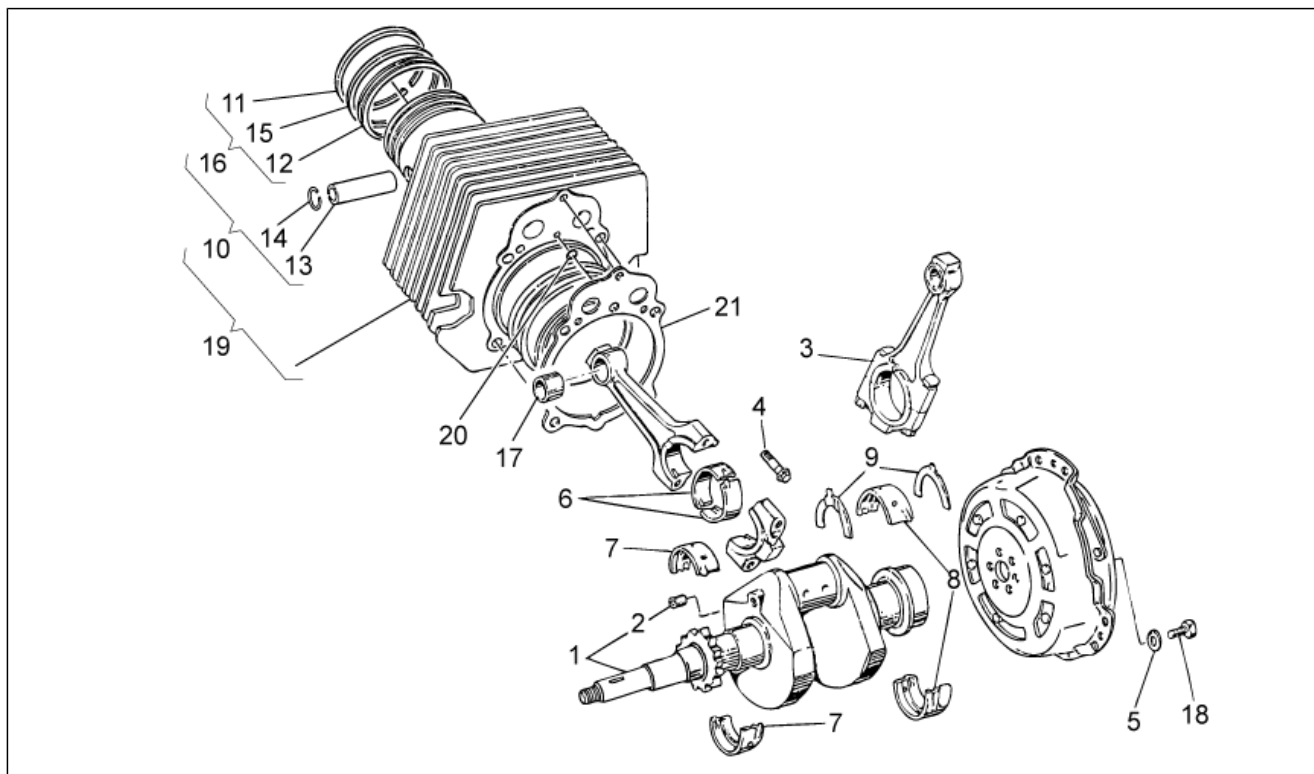
| Pos. | Code       | Beschrijving               | Aant. | Varianten |
|------|------------|----------------------------|-------|-----------|
| 1    | 976603     | Bedekking distr. zwart     | 1     |           |
| 2    | GU19001200 | Pakking                    | 1     |           |
| 3    | GU98682325 | Binnenzeskantbout M6x25    | 10    |           |
| 4    | GU98680330 | Binnenzeskantbout M6x30    | 2     |           |
| 5    | GU19002020 | Beslagring 6,6x9x13        | 2     |           |
| 6    | GU32001610 | Bedekking generator        | 1     |           |
| 7    | GU27001136 | Flens bedekking alternator | 1     |           |
| 8    | GU98680335 | Binnenzeskantbout M6x35    | 5     |           |
| 9    | GU90402842 | Dichtingsring              | 1     |           |
| 10   | GU19007700 | Rubbetje                   | 1     |           |

|                     |               |
|---------------------|---------------|
| <b>Groep</b>        | ENGINE        |
| <b>Code</b>         | 34.36         |
| <b>Beschrijving</b> | Cylinder head |
| <b>Revisie</b>      | 1             |



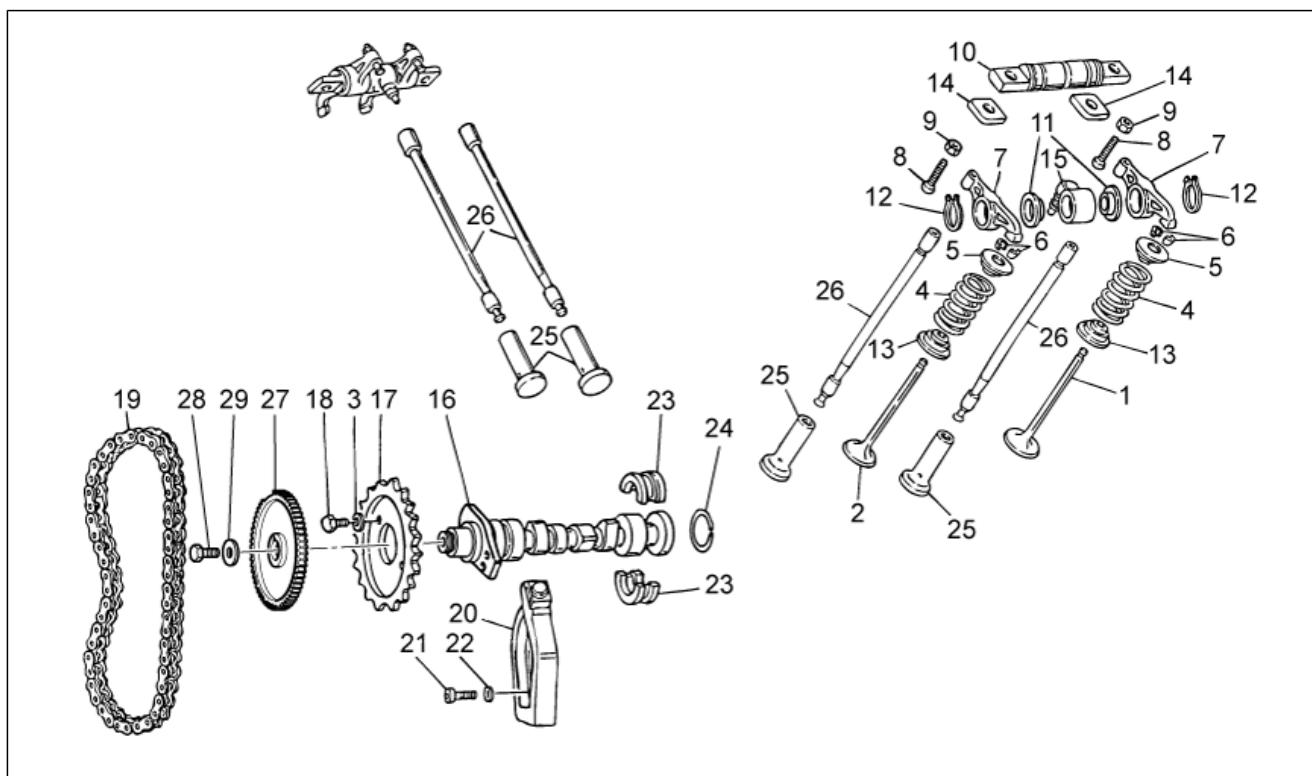
| Pos. | Code       | Beschrijving                  | Aant. | Varianten |
|------|------------|-------------------------------|-------|-----------|
| 1    | GU32022110 | Kop re grijs                  | 1     |           |
| 2    | GU32022210 | Kop li grijs                  | 1     |           |
| 3    | GU61036801 | Klepgeleider                  | 4     |           |
| 4    | GU90353009 | Elastische ring               | 4     |           |
| 5    | GU96506042 | Stiftbout                     | 4     |           |
| 6    | GU19025300 | Antitrilplaat                 | 4     |           |
| 7    | GU19021920 | Moer                          | 2     |           |
| 8    | GU19037820 | Oliekeerring                  | 4     |           |
| 9    | 886830     | Kopdeksel                     | 2     |           |
| 10   | GU19023700 | Pakking                       | 2     |           |
| 11   | GU92603010 | Moer M10X1,5                  | 4     |           |
| 12   | GU13021900 | Kolomv. moer                  | 4     |           |
| 13   | GU95129180 | Sluitring 10,5X18X0,8         | 4     |           |
| 14   | GU96510214 | Stiftbout M10x214             | 4     |           |
| 15   | GU96510181 | Stiftbout M10x182             | 4     |           |
| 16   | GU98692325 | Binnenzeskantbout M6x25       | 10    |           |
| 17   | GU19032980 | Dikte                         | 4     |           |
| 18   | GU19021360 | Beslagring                    | 2     |           |
| 19   | GU27022060 | Pakking                       | 2     |           |
| 20   | GU96508145 | Stiftbout M8x143              | 2     |           |
| 21   | GU61270300 | Elastische sluitring 8x15x0,3 | 2     |           |
| 22   | GU93180245 | Dop                           | 4     |           |
| 23   | AP8144071  | Rubbertje uitlaat             | 1     |           |

|                     |                 |
|---------------------|-----------------|
| <b>Groep</b>        | ENGINE          |
| <b>Code</b>         | 34.37           |
| <b>Beschrijving</b> | Crankshaft cpl. |
| <b>Revisie</b>      | 1               |



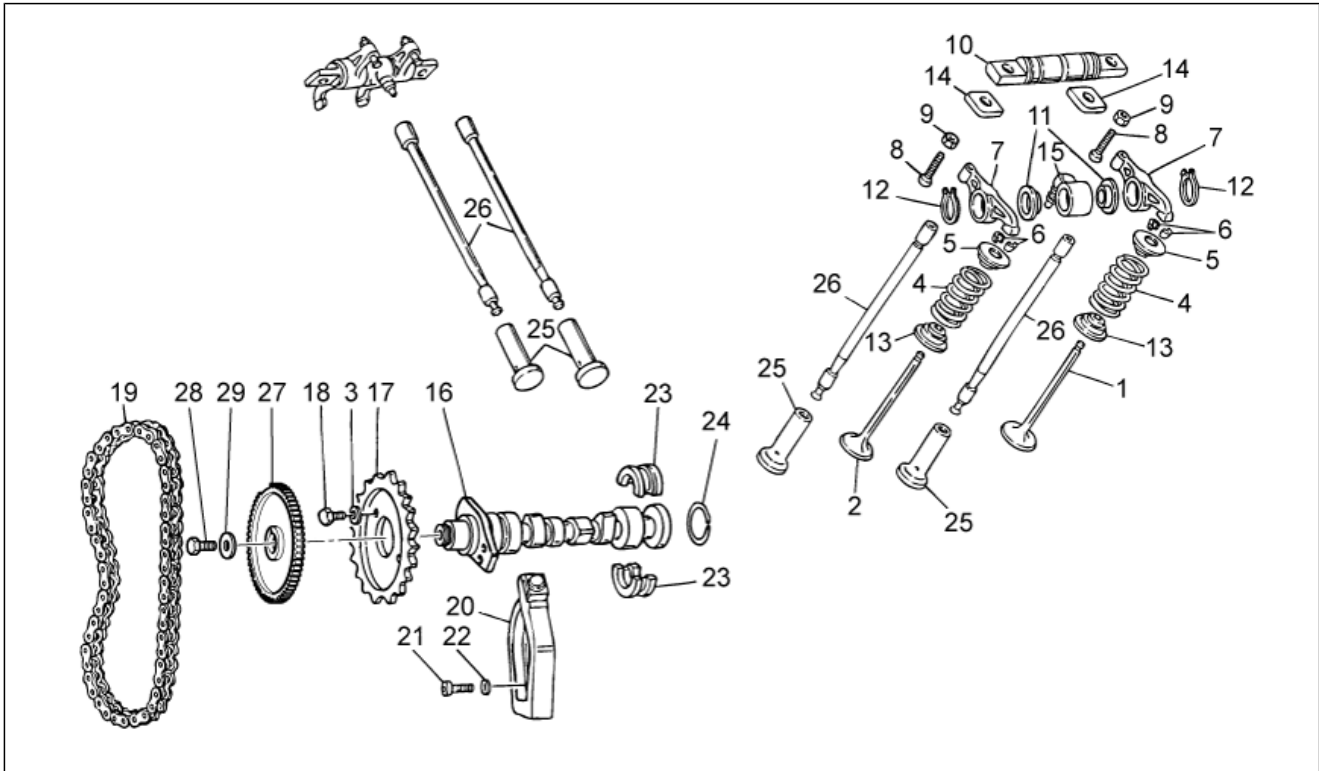
| Pos. | Code       | Beschrijving              | Aant. | Varianten |
|------|------------|---------------------------|-------|-----------|
| 1    | GU32064110 | Drijfjas cpl.             | 1     |           |
| 2    | GU19065400 | Dop                       | 1     |           |
| 3    | GU27061585 | Drijfstang cpl.           | 2     |           |
| 4    | GU19062261 | Bout                      | 4     |           |
| 5    | GU14615901 | Sluitring 8,4X13X0,8      | 6     |           |
| 6    | GU27062060 | Halfdop kussenblok        | 4     |           |
| 7    | GU27065660 | Halfdop kussenblok voor   | 2     |           |
| 8    | GU27066560 | Halfdop kussenblok acht.  | 2     |           |
| 9    | GU27066460 | Halfsluitring             | 2     |           |
| 10   | GU32060210 | Zuiger cpl.               | 2     |           |
| 11   | GU32060710 | Holle elastische band 1e  | 2     |           |
| 12   | GU19061063 | Band olieschraap          | 2     |           |
| 13   | GU27061286 | Zuigerpen                 | 2     |           |
| 14   | GU27061385 | Blokkeerring              | 4     |           |
| 15   | GU27060860 | Holle elastische band 2e  | 2     |           |
| 16   | GU32060610 | Kit elastische banden     | 2     |           |
| 17   | GU27061885 | Beslagring                | 2     |           |
| 18   | GU19067700 | Bout                      | 6     |           |
| 19   | GU32060110 | Cilinder met zuiger grijs | 2     |           |
| 20   | GU61027200 | OR-ring                   | 2     |           |
| 21   | GU27020820 | Pakking                   | 2     |           |

|                     |               |
|---------------------|---------------|
| <b>Groep</b>        | ENGINE        |
| <b>Code</b>         | 34.38         |
| <b>Beschrijving</b> | Timing system |
| <b>Revisie</b>      | 1             |



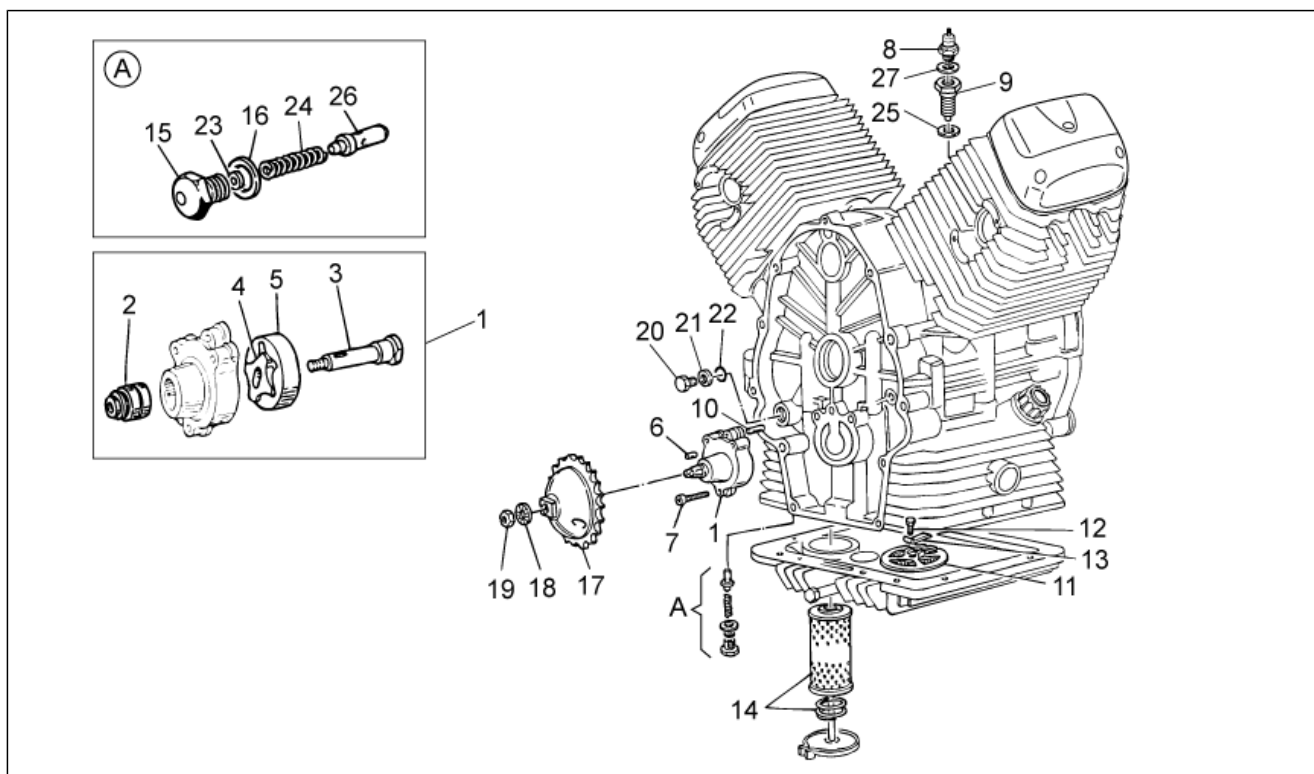
| Pos. | Code       | Beschrijving          | Aant. | Varianten |
|------|------------|-----------------------|-------|-----------|
| 1    | GU20036020 | Klep aanz.            | 2     |           |
| 2    | GU20036120 | Klep uitl.            | 2     |           |
| 3    | GU23217800 | Sluitring veiligheid  | 2     |           |
| 4    | GU27037521 | Veer                  | 4     |           |
| 5    | GU31038015 | Schijf bov.           | 4     |           |
| 6    | GU61038100 | Halfconus             | 8     |           |
| 7    | GU19030500 | Balancerings          | 4     |           |
| 8    | GU19034000 | Bout                  | 4     |           |
| 9    | GU92602406 | Moer M6x1             | 4     |           |
| 10   | GU19032080 | Pin balancering       | 2     |           |
| 11   | GU32032310 | Schraapring           | 4     |           |
| 12   | GU90271018 | Seegerring            | 4     |           |
| 13   | GU31037015 | Schijf ond.           | 4     |           |
| 14   | GU19032980 | Dikte                 | 4     |           |
| 15   | GU19027500 | Mof                   | 2     |           |
| 16   | GU32053410 | Nokkenas              | 1     |           |
| 17   | GU32054510 | Raderw.distrib.       | 1     |           |
| 18   | GU61054900 | Schroefbout           | 2     |           |
| 19   | GU19058021 | Distributieketting    | 1     |           |
| 20   | GU19058220 | Kettingspanner distr. | 1     |           |
| 21   | GU98882316 | Bout                  | 1     |           |
| 22   | GU95129115 | Sluitring             | 1     |           |
| 23   | GU19055700 | Sector blokk.         | 2     |           |
| 24   | GU90353029 | Elastische ring       | 1     |           |
| 25   | GU19045861 | Kleplicht.            | 4     |           |
| 26   | GU31045015 | Staaft balancerings   | 4     |           |
| 27   | GU32051710 | Geluidswiel           | 1     |           |
| 28   | GU98054422 | Bout M8x22            | 1     |           |

|                     |               |
|---------------------|---------------|
| <b>Groep</b>        | ENGINE        |
| <b>Code</b>         | 34.38         |
| <b>Beschrijving</b> | Timing system |
| <b>Revisie</b>      | 1             |



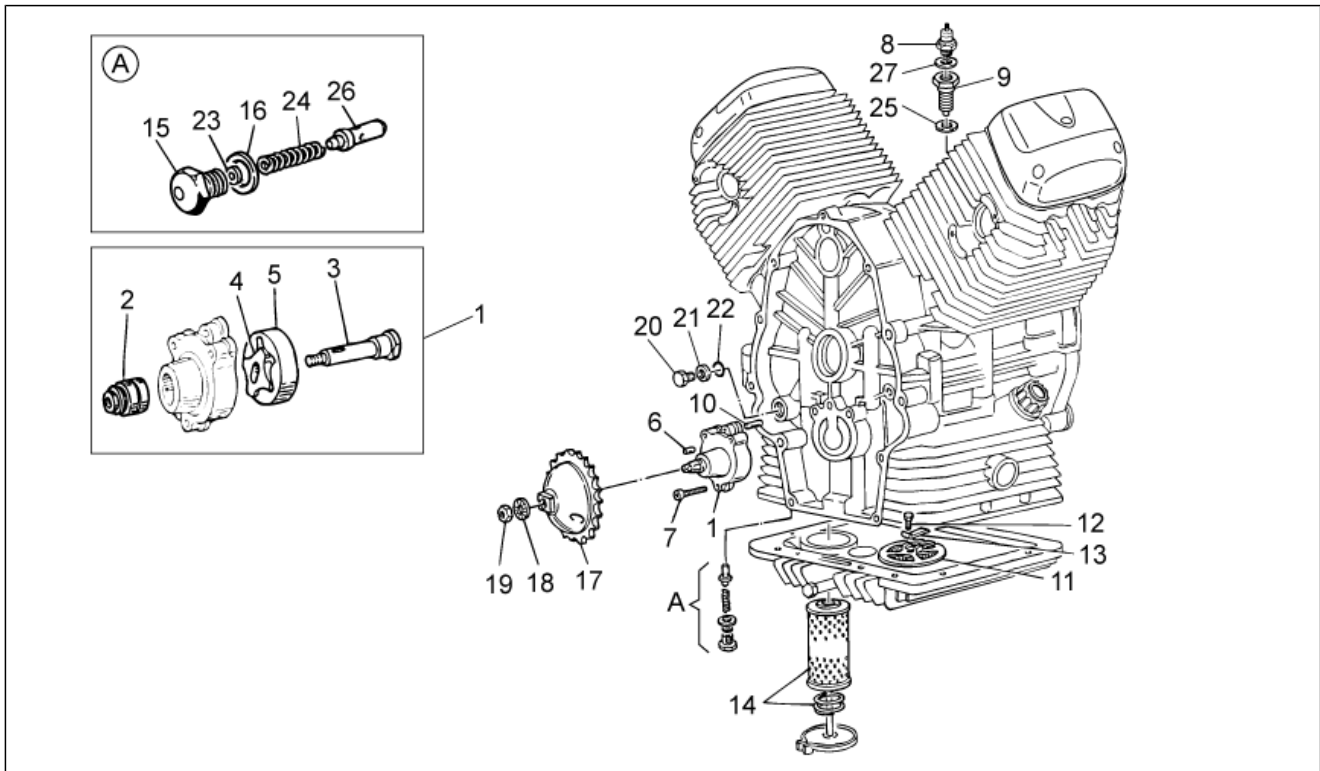
| Pos. | Code       | Beschrijving | Aant. | Varianten |
|------|------------|--------------|-------|-----------|
| 29   | GU95100244 | Sluitring    | 1     |           |

|                     |          |
|---------------------|----------|
| <b>Groep</b>        | ENGINE   |
| <b>Code</b>         | 34.39    |
| <b>Beschrijving</b> | Oil pump |
| <b>Revisie</b>      | 1        |



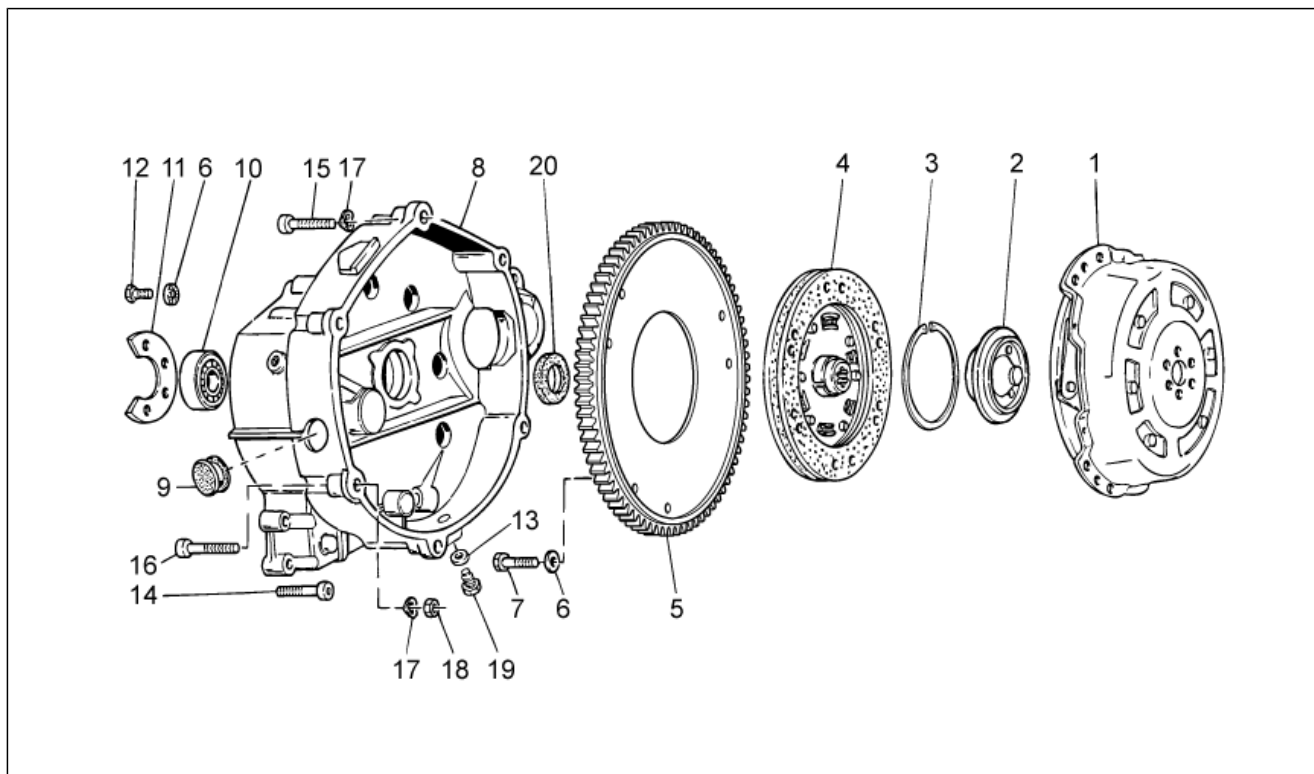
| Pos. | Code       | Beschrijving               | Aant. | Varianten |
|------|------------|----------------------------|-------|-----------|
| 1    | GU19146422 | Oliepomp                   | 1     |           |
| 2    | GU92252210 | Rollager 10x22x20          | 1     |           |
| 3    | GU20147810 | As oliepom                 | 1     |           |
| 4    | GU20148410 | Rotor int.                 | 1     |           |
| 5    | GU20148610 | Rotor ext.                 | 1     |           |
| 6    | GU92296723 | Rol                        | 1     |           |
| 7    | GU98620335 | Bout M6x35                 | 3     |           |
| 8    | 641541     | Oil pressure sensor        | 1     |           |
| 8    | GU32768710 | Sensor oliedruk            | 1     |           |
| 9    | 887093     | Verbinding zender          | 1     |           |
| 9    | GU32768810 | Verbinding zender          | 1     |           |
| 10   | GU19018920 | Plug                       | 2     |           |
| 11   | GU19152200 | Oliefilter                 | 1     |           |
| 12   | GU98084314 | Zeskantbout                | 1     |           |
| 13   | GU95187006 | Plaatje                    | 1     |           |
| 14   | GU27153085 | Oliefilter                 | 1     |           |
| 15   | GU31159050 | Dop                        | 1     |           |
| 16   | GU18144350 | Sluitring 18,25x24x1       | 3     |           |
| 17   | GU20147710 | Raderw.pomp                | 1     |           |
| 18   | GU19149800 | Sluitring 10,5x16x1        | 1     |           |
| 19   | GU92602510 | Moer M10x1,25              | 1     |           |
| 20   | GU31016050 | Dop                        | 1     |           |
| 21   | GU18161150 | Pakking in aluminium 14,25 | 1     |           |
| 22   | GU90706111 | OR-ring                    | 1     |           |
| 23   | GU95008206 | Sluitring 6,15x11x0,8      | 3     |           |
| 24   | GU94321079 | Veer                       | 1     |           |
| 25   | GU95100602 | Pakking                    | 1     |           |
| 26   | GU31150950 | Zuigertje                  | 1     |           |

|                     |          |
|---------------------|----------|
| <b>Groep</b>        | ENGINE   |
| <b>Code</b>         | 34.39    |
| <b>Beschrijving</b> | Oil pump |
| <b>Revisie</b>      | 1        |



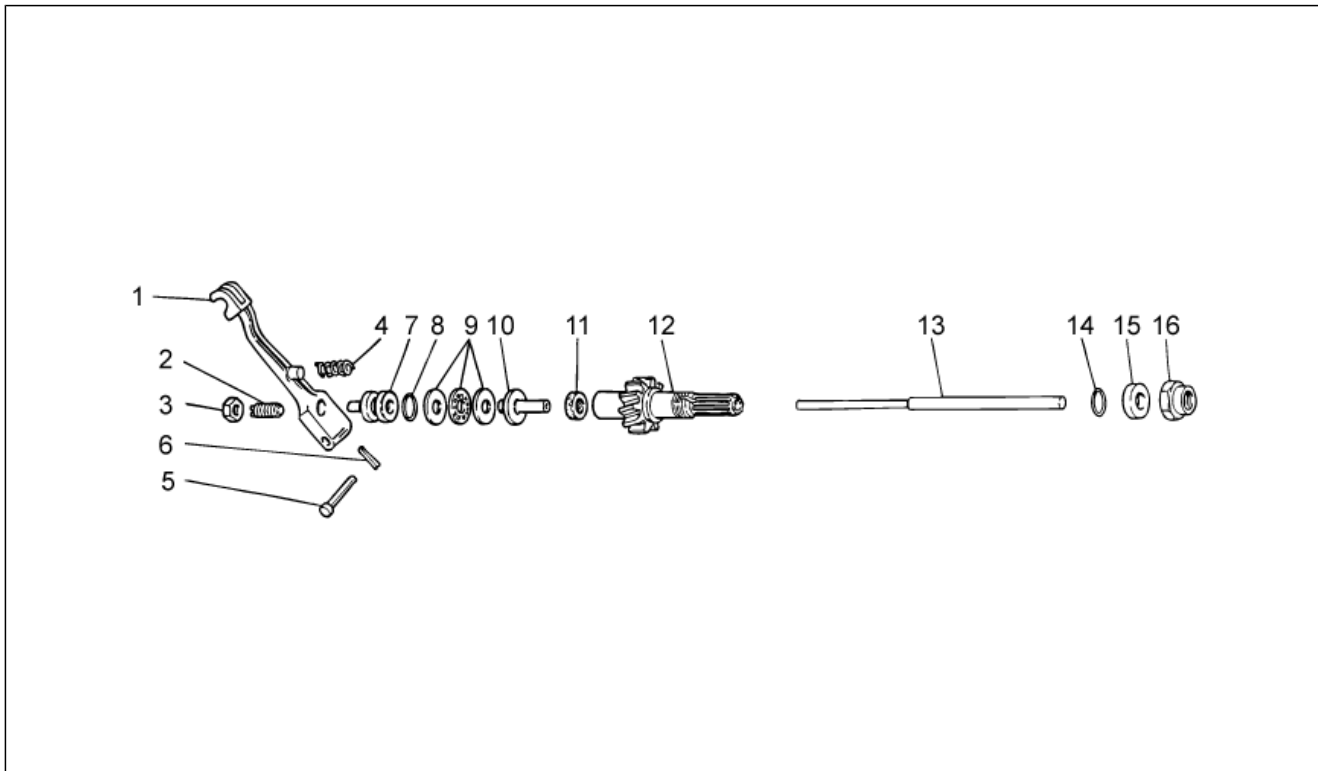
| Pos. | Code       | Beschrijving | Aant. | Varianten |
|------|------------|--------------|-------|-----------|
| 27   | GU95100309 | Sluitring    | 1     |           |

|                     |          |
|---------------------|----------|
| <b>Groep</b>        | ENGINE   |
| <b>Code</b>         | 34.40    |
| <b>Beschrijving</b> | Clutch I |
| <b>Revisie</b>      | 1        |



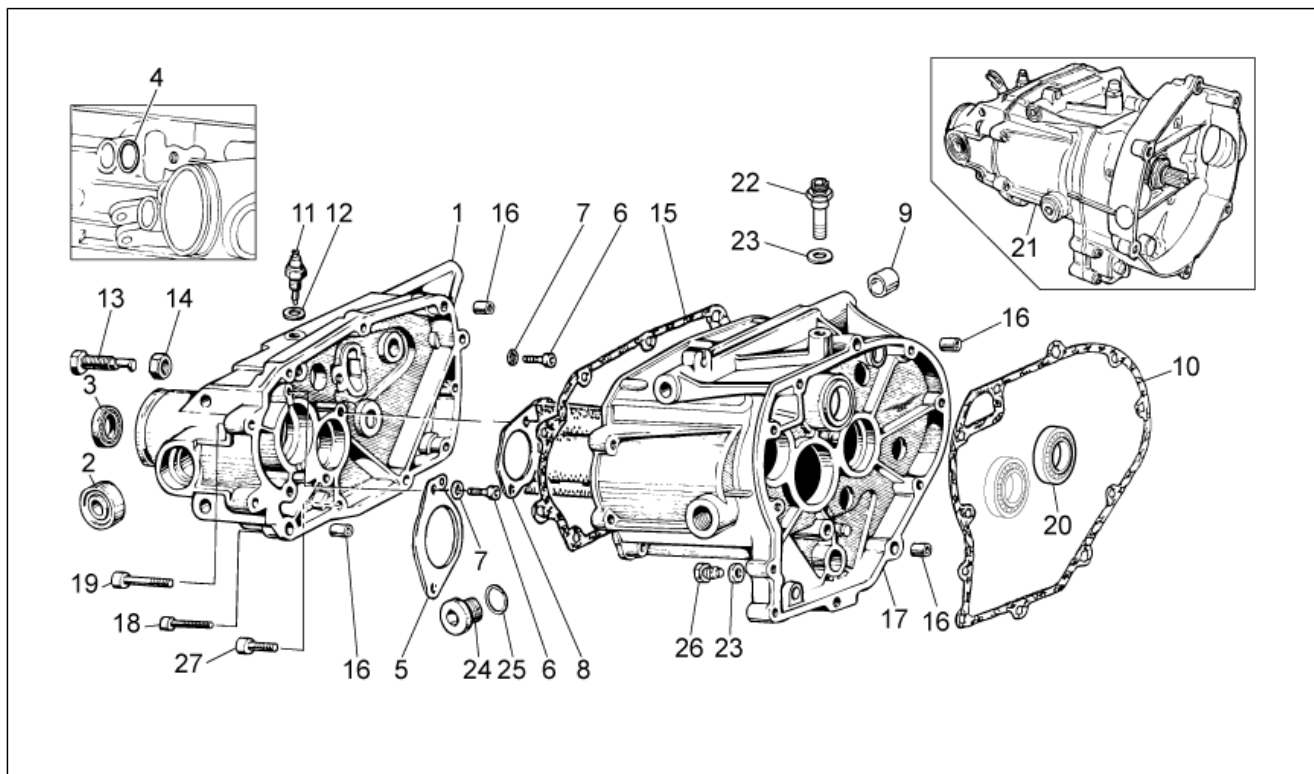
| Pos. | Code       | Beschrijving                  | Aant. | Varianten |
|------|------------|-------------------------------|-------|-----------|
| 1    | GU32080310 | Koppeling                     | 1     |           |
| 2    | GU19083462 | Plaatje koppeling             | 1     |           |
| 3    | GU90272075 | Elastische ring               | 1     |           |
| 4    | GU32084410 | Schijf koppeling geleid       | 1     |           |
| 5    | GU32067910 | Kroon                         | 1     |           |
| 6    | GU14217901 | Gekart. sluitring 6,4x10x0,7  | 9     |           |
| 7    | GU98084316 | Zeskantbout                   | 6     |           |
| 8    | 981070     | Koppelingsblok                | 1     |           |
| 9    | GU93180220 | Dop                           | 1     |           |
| 10   | GU92201225 | Lager 25x52x15                | 1     |           |
| 11   | GU19203460 | Bevestigingsplaat lager       | 1     |           |
| 12   | GU98084314 | Zeskantbout                   | 3     |           |
| 13   | GU10528900 | Pakking in aluminium          | 1     |           |
| 14   | GU98682330 | Binnenzeskantbout             | 11    |           |
| 15   | GU98680435 | Binnenzeskantbout M8x35       | 5     |           |
| 16   | GU98680450 | Binnenzeskantbout M8x50       | 1     |           |
| 17   | GU61270300 | Elastische sluitring 8x15x0,3 | 6     |           |
| 18   | GU92606208 | Moer M8x1,25                  | 1     |           |
| 19   | GU31003766 | Afvoerdop olie M10x1          | 1     |           |
| 20   | GU90403246 | Dichtingsring 32x45x7         | 1     |           |

|                     |           |
|---------------------|-----------|
| <b>Groep</b>        | ENGINE    |
| <b>Code</b>         | 34.41     |
| <b>Beschrijving</b> | Clutch II |
| <b>Revisie</b>      | 1         |



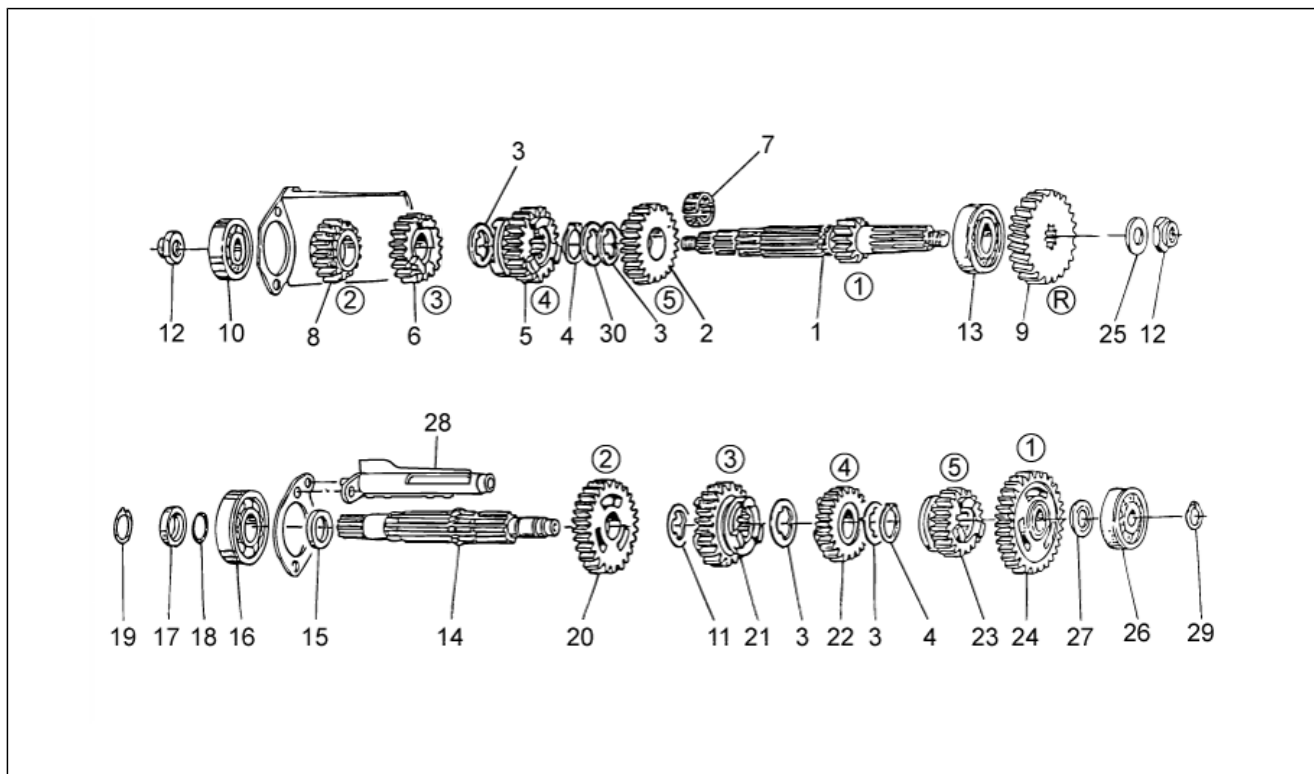
| Pos. | Code       | Beschrijving                  | Aant. | Varianten |
|------|------------|-------------------------------|-------|-----------|
| 1    | GU14090201 | Ontkoppelingshendel koppeling | 1     |           |
| 2    | GU14090400 | Registerbout                  | 1     |           |
| 3    | GU92606508 | Moer                          | 1     |           |
| 4    | GU94321105 | Trekveer hendel               | 1     |           |
| 5    | GU95780271 | Plug 7x39                     | 1     |           |
| 6    | GU95500222 | Splitpen                      | 1     |           |
| 7    | GU14086100 | Externe romnp                 | 1     |           |
| 8    | GU90706170 | O-ring 17,13x2,62             | 1     |           |
| 9    | GU12087001 | Lager drukst.                 | 1     |           |
| 10   | GU14086000 | Tussenromp                    | 1     |           |
| 11   | GU90400616 | Dichtingsring 6x16x7          | 1     |           |
| 12   | GU27210760 | Overbrengingsas Z=16          | 1     |           |
| 13   | GU20085720 | Staaaf schijfduwer            | 1     |           |
| 14   | GU90706235 | O-ring 23,52x1,78             | 1     |           |
| 15   | GU19213760 | Afstandhouder                 | 1     |           |
| 16   | GU19356760 | Veiligheidsmoer               | 1     |           |

|                     |                   |
|---------------------|-------------------|
| <b>Groep</b>        | ENGINE            |
| <b>Code</b>         | 34.42             |
| <b>Beschrijving</b> | Transmission cage |
| <b>Revisie</b>      | 1                 |



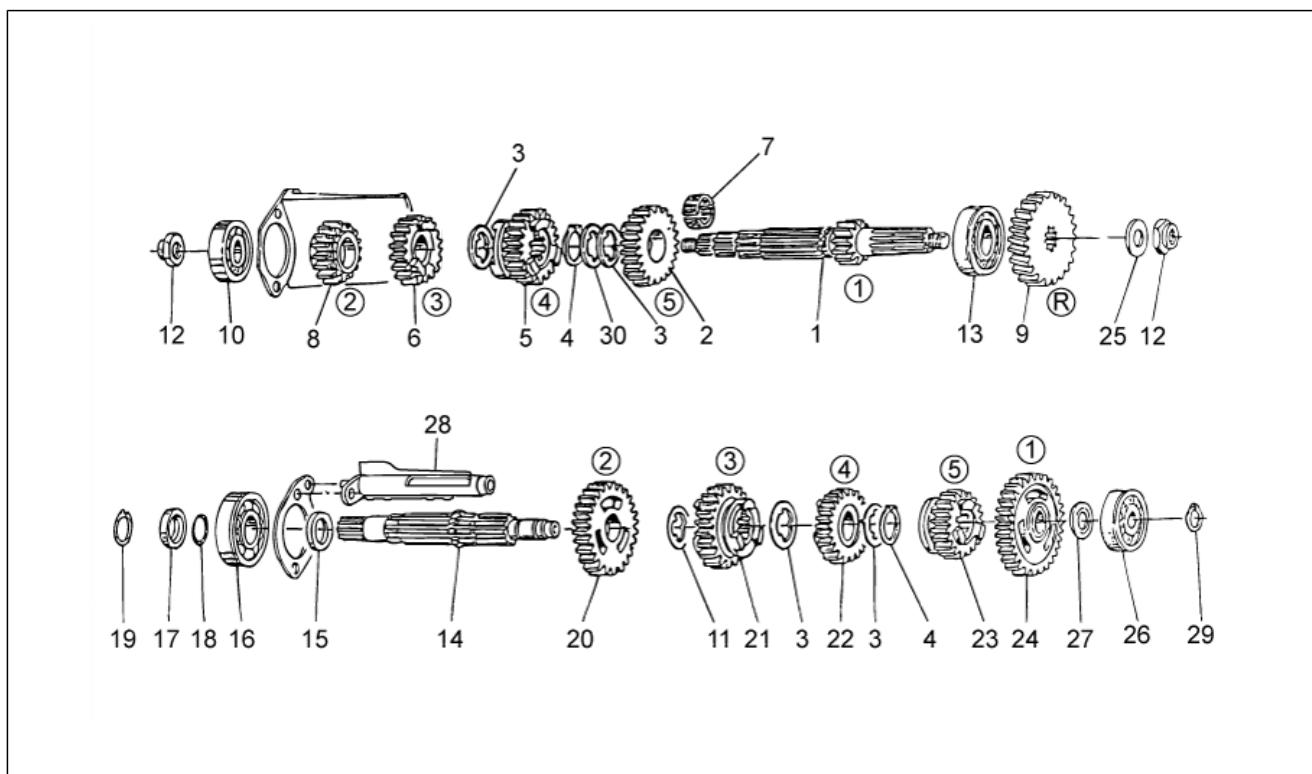
| Pos. | Code       | Beschrijving                 | Aant. | Varianten |
|------|------------|------------------------------|-------|-----------|
| 1    | 976605     | Bedekking vesnellingsbak     | 1     |           |
| 2    | GU92204215 | Lager 15x35x11               | 2     |           |
| 3    | GU90402841 | Dichtingsring 28x40x7        | 1     |           |
| 4    | GU90706140 | O-ring 13,95x2,92            | 1     |           |
| 5    | GU32213810 | Bevest.plaat secund. as      | 1     |           |
| 6    | GU98682314 | Binnenzeskantbout M6x14      | 4     |           |
| 7    | GU14217901 | Gekart. sluitring 6,4x10x0,7 | 4     |           |
| 8    | GU32208210 | Wand olie                    | 1     |           |
| 9    | GU19202320 | Beslagring 10,25x15,7x8      | 2     |           |
| 10   | GU23200370 | Pakking                      | 1     |           |
| 11   | GU19207220 | Sensor vrij                  | 1     |           |
| 12   | GU12154200 | Pakking 8,25x15x1            | 1     |           |
| 13   | GU19237800 | Bout met excentriek M12x1,25 | 1     |           |
| 14   | GU92606512 | Moer laag M12x1,25           | 1     |           |
| 15   | GU19201120 | Pakking                      | 1     |           |
| 16   | GU19002020 | Beslagring 6,6x9x13          | 4     |           |
| 17   | 976606     | Doos versn.bak zwart         | 1     |           |
| 18   | GU98682330 | Binnenzeskantbout            | 5     |           |
| 19   | GU98680435 | Binnenzeskantbout M8x35      | 4     |           |
| 20   | GU92201120 | Kogellager 20x42x12          | 1     |           |
| 21   | 976940     | Versn.bak cpl.m/o blok       | 1     |           |
| 22   | GU32206510 | Dop ontluchting              | 1     |           |
| 23   | GU10528900 | Pakking in aluminium         | 2     |           |
| 24   | GU12022600 | Oliedop                      | 1     |           |
| 25   | GU90706203 | OR-ring 20,24X2,62           | 1     |           |
| 26   | GU31003766 | Afvoerdop olie M10x1         | 1     |           |
| 27   | GU98680335 | Binnenzeskantbout M6x35      | 2     |           |

|                     |          |
|---------------------|----------|
| <b>Groep</b>        | ENGINE   |
| <b>Code</b>         | 34.43    |
| <b>Beschrijving</b> | Gear box |
| <b>Revisie</b>      | 1        |



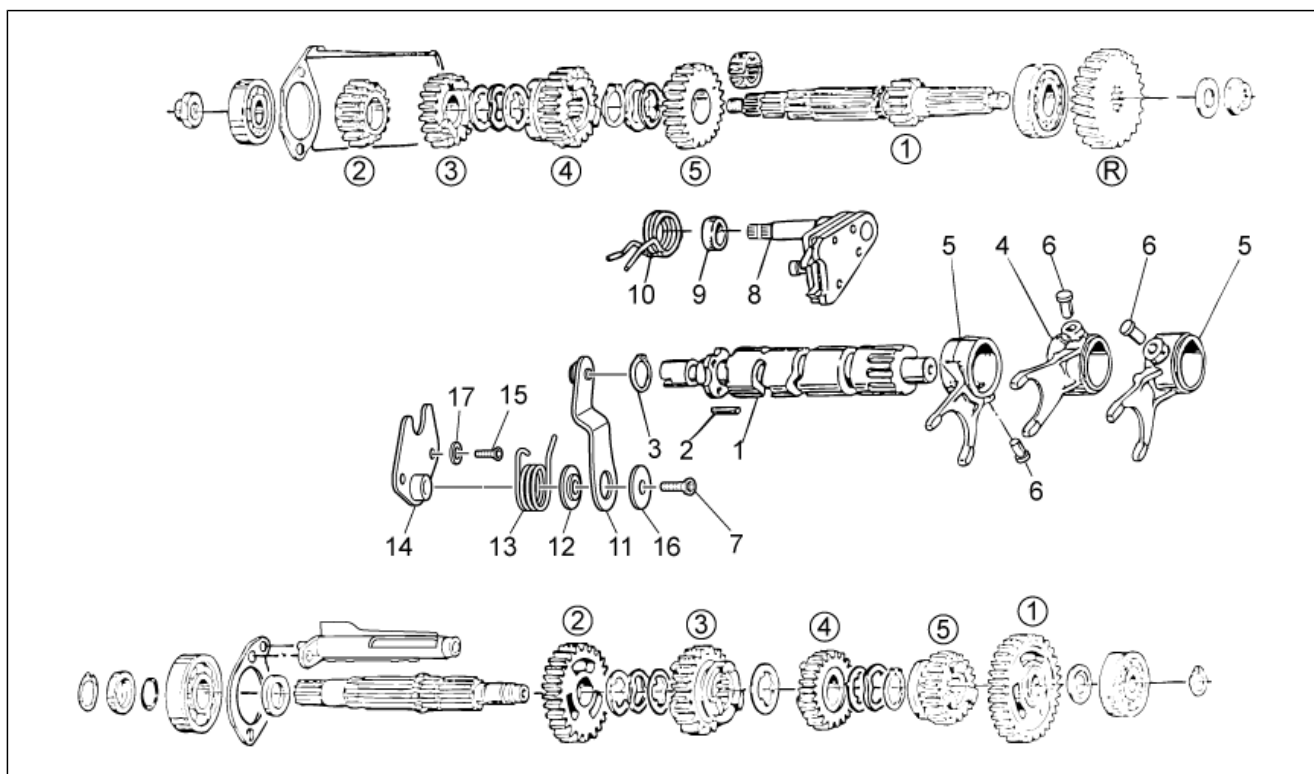
| Pos. | Code       | Beschrijving                 | Aant. | Varianten |
|------|------------|------------------------------|-------|-----------|
| 1    | GU32210510 | Primaire as Z=11             | 1     |           |
| 2    | GU32212011 | Raderwerk 5a AP Z=25         | 1     |           |
| 3    | GU19215460 | Schraapring                  | 3     |           |
| 4    | GU90271124 | Seegerring                   | 2     |           |
| 5    | GU32211810 | Raderwerk 4a AP Z=18         | 1     |           |
| 6    | GU32211410 | Raderwerk 3a AP Z=18         | 1     |           |
| 7    | GU92251028 | Rollenkooi                   | 1     |           |
| 8    | GU23211372 | Raderwerk 2a AP Z=14         | 1     |           |
| 9    | GU32211110 | Raderw. overbrenging AP Z=21 | 1     |           |
| 10   | GU92218417 | Lager AP 17x40x17,5          | 1     |           |
| 11   | GU19214660 | Steunende sluitring          | 2     |           |
| 12   | GU10054100 | Veiligheidsmoer              | 2     |           |
| 13   | GU92230320 | Lager AP 20x37x17            | 1     |           |
| 14   | GU32213610 | Secundaire as                | 1     |           |
| 15   | GU19212900 | Afstandhouder                | 1     |           |
| 16   | GU92201220 | Lager 20X47X14               | 1     |           |
| 17   | GU19213720 | Afstandhouder                | 1     |           |
| 18   | GU90706188 | Dichtingsring 18,77X1,78     | 1     |           |
| 19   | GU90271121 | Seegerring                   | 1     |           |
| 20   | GU32214510 | Raderwerk 2a AS Z=23         | 1     |           |
| 21   | GU32214810 | Raderwerk 3a AS Z=23         | 1     |           |
| 22   | GU32215010 | Raderwerk 4a AS Z=19         | 1     |           |
| 23   | GU32215210 | Raderwerk 5a AS Z=22         | 1     |           |
| 24   | GU32214010 | Raderwerk 1a AS Z=26         | 1     |           |
| 25   | GU39238100 | Steunende sluitring          | 1     |           |
| 26   | GU92234716 | Lager                        | 1     |           |
| 27   | GU10214300 | Dikte 1,5 mm                 | 1     |           |
| 27   | GU10214301 | Dikte 1,7 mm                 | 1     |           |

|                     |          |
|---------------------|----------|
| <b>Groep</b>        | ENGINE   |
| <b>Code</b>         | 34.43    |
| <b>Beschrijving</b> | Gear box |
| <b>Revisie</b>      | 1        |



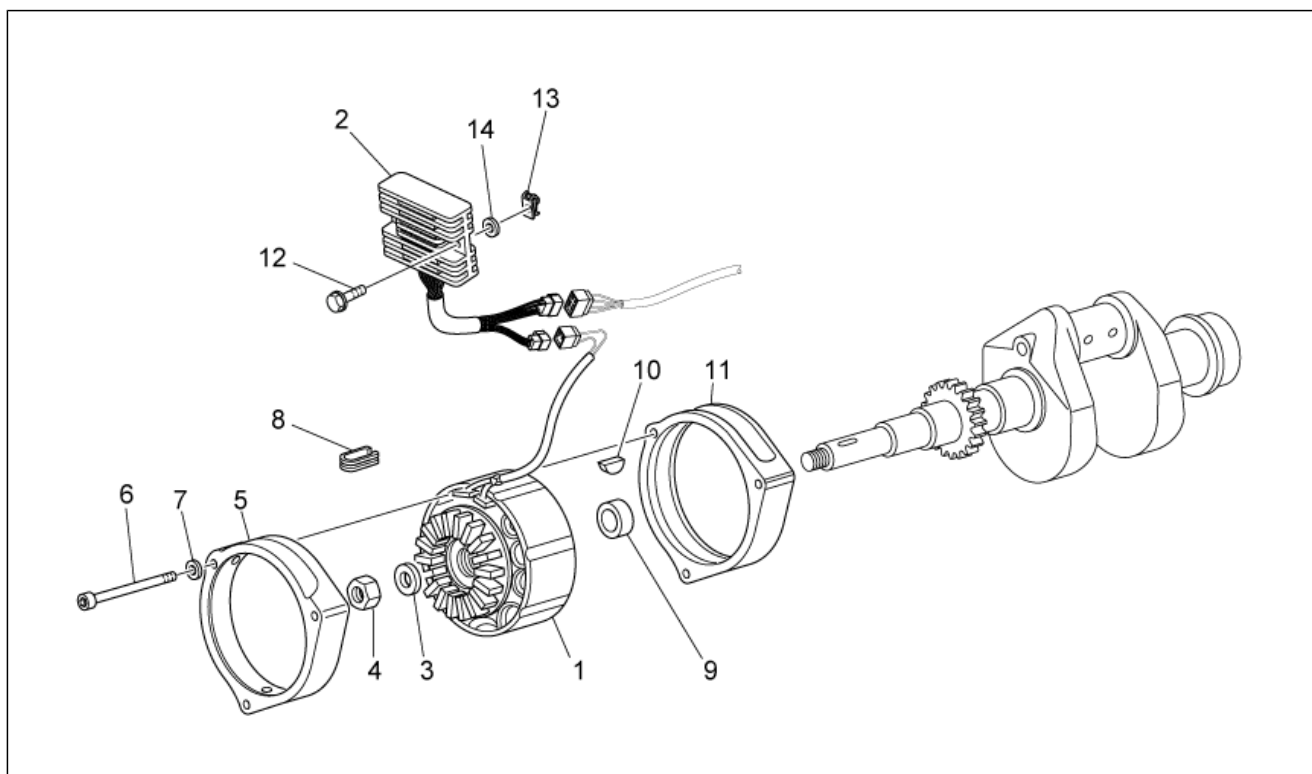
| Pos. | Code       | Beschrijving   | Aant. | Varianten |
|------|------------|----------------|-------|-----------|
| 27   | GU10214302 | Dikte 1,8 mm   | 1     |           |
| 27   | GU10214303 | Dikte 1,9 mm   | 1     |           |
| 27   | GU10214304 | Sluitring 2 mm | 1     |           |
| 27   | GU10214305 | Dikte 2,1 mm   | 1     |           |
| 28   | GU32202010 | Druiper        | 1     |           |
| 29   | GU90271117 | Seegerring     | 1     |           |

|                     |                   |
|---------------------|-------------------|
| <b>Groep</b>        | ENGINE            |
| <b>Code</b>         | 34.44             |
| <b>Beschrijving</b> | Gear box selector |
| <b>Revisie</b>      | 1                 |



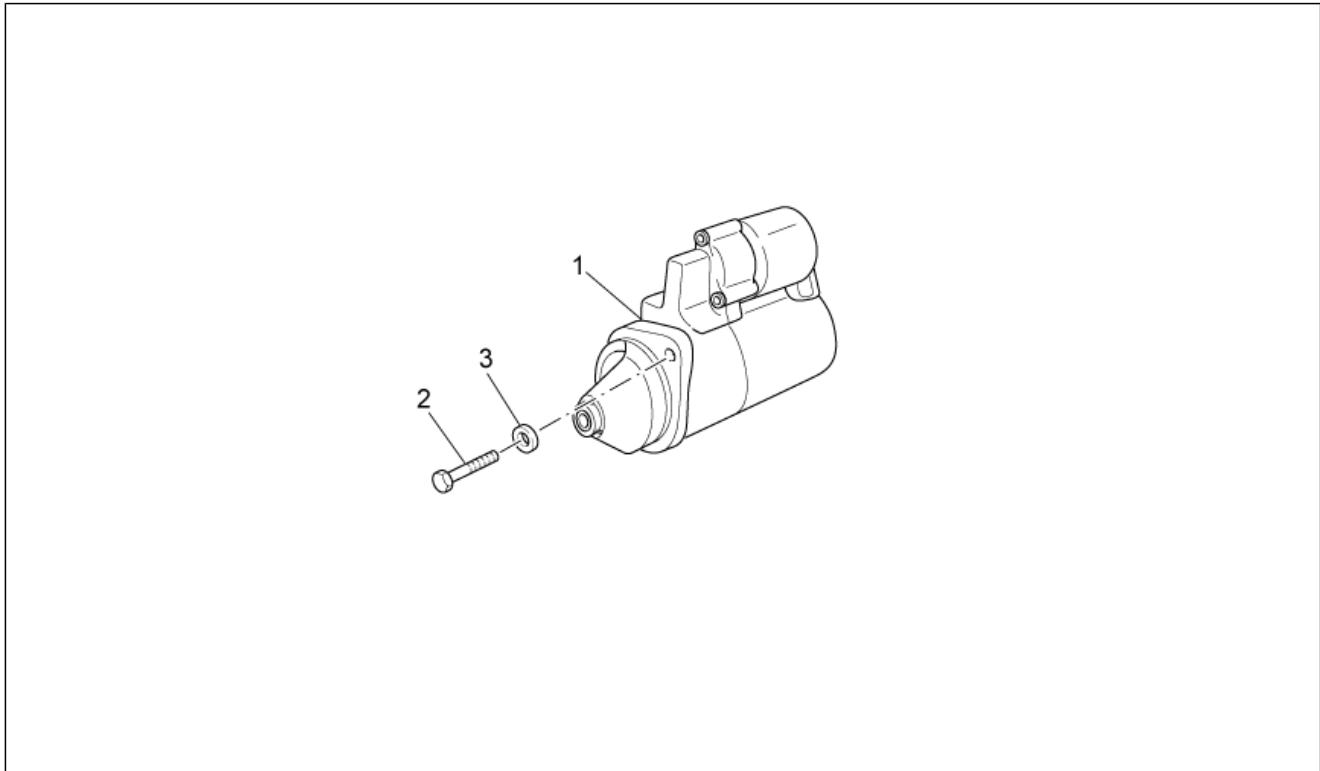
| Pos. | Code       | Beschrijving                    | Aant. | Varianten |
|------|------------|---------------------------------|-------|-----------|
| 1    | GU32234410 | Shift cam                       | 1     |           |
| 2    | GU19234600 | Pin                             | 4     |           |
| 3    | GU90274026 | Elastische ring                 | 1     |           |
| 4    | GU32231210 | Vork AP                         | 1     |           |
| 5    | GU32231010 | Vork AS                         | 2     |           |
| 6    | GU32233010 | Rol                             | 3     |           |
| 7    | GU98350312 | Bolbout met binnenzeskant M6x12 | 1     |           |
| 8    | GU32236210 | Voorschakelaar cpl.             | 1     |           |
| 9    | GU20208520 | Afstandhouder                   | 1     |           |
| 10   | GU32238210 | Trekveer schakelaar             | 1     |           |
| 11   | GU32234710 | Hendel                          | 1     |           |
| 12   | GU32234810 | Sluitring                       | 1     |           |
| 13   | GU32234110 | Veer                            | 1     |           |
| 14   | GU32235710 | Plaat                           | 1     |           |
| 15   | AP8152166  | Bout M6x16                      | 2     |           |
| 16   | GU32234910 | Sluitring 6,4x20x1              | 1     |           |
| 17   | GU14217901 | Gekart. sluitring 6,4x10x0,7    | 2     |           |

|                     |                       |
|---------------------|-----------------------|
| <b>Groep</b>        | ENGINE                |
| <b>Code</b>         | 34.45                 |
| <b>Beschrijving</b> | Generator - Regulator |
| <b>Revisie</b>      | 1                     |



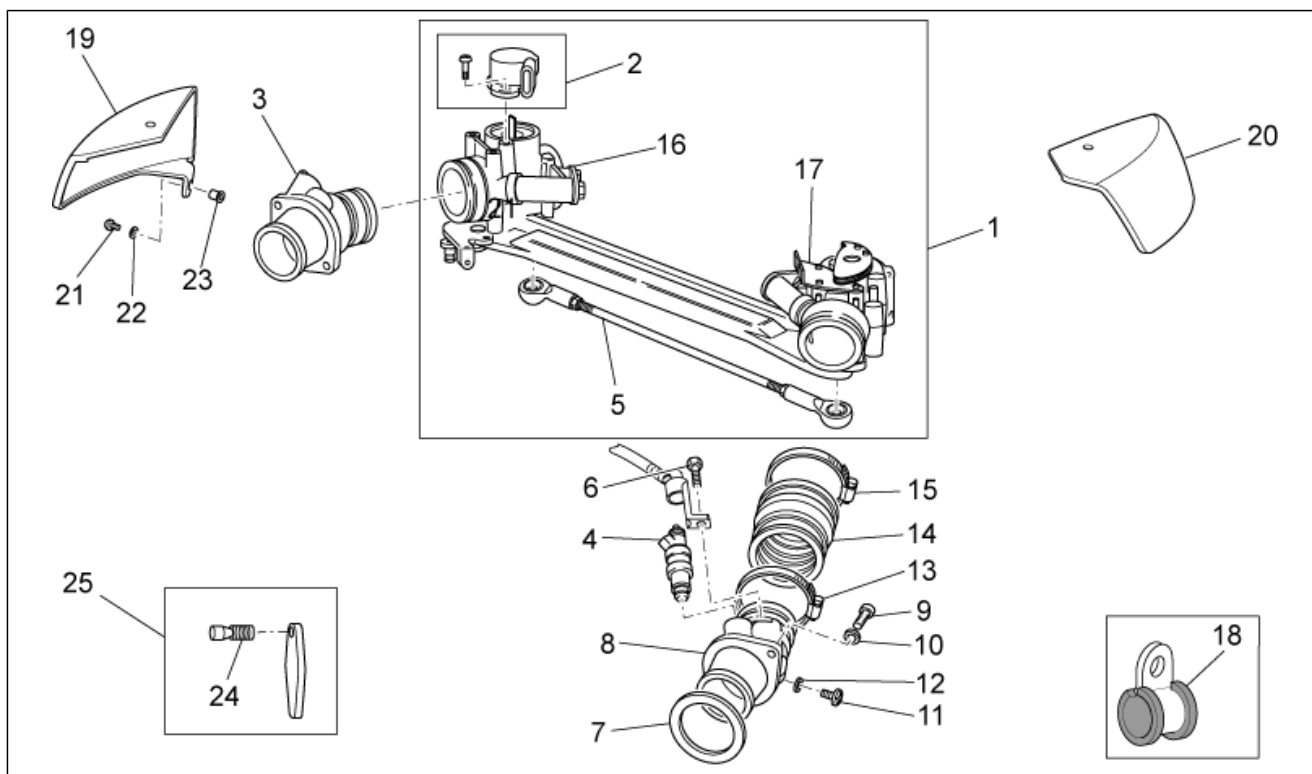
| Pos. | Code       | Beschrijving           | Aant. | Varianten |
|------|------------|------------------------|-------|-----------|
| 1    | 883877     | Alternator             | 1     |           |
| 2    | 883878     | Spanningsregelaar 35A  | 1     |           |
| 3    | GU30714201 | Sluitring 16,25x24,5x5 | 1     |           |
| 4    | GU92606516 | Moer M16               | 1     |           |
| 5    | GU29711460 | Kap voor.              | 1     |           |
| 6    | GU98680265 | Binnenzeskantbout      | 3     |           |
| 7    | GU29217960 | Sluitring 5,9X3X0,8    | 3     |           |
| 8    | GU19007700 | Rubbertje              | 1     |           |
| 9    | GU31712365 | Afstandhouder          | 1     |           |
| 10   | GU91600450 | Sluitwig               | 1     |           |
| 11   | GU29711960 | Kap acht.              | 1     |           |
| 12   | AP8152281  | Zeskantbout geflenst   | 2     |           |
| 13   | GU28576591 | Clip M6                | 2     |           |
| 14   | GU95100125 | Sluitring              | 2     |           |

|                     |               |
|---------------------|---------------|
| <b>Groep</b>        | ENGINE        |
| <b>Code</b>         | 34.46         |
| <b>Beschrijving</b> | Starter motor |
| <b>Revisie</b>      | 1             |



| Pos. | Code       | Beschrijving         | Aant. | Varianten |
|------|------------|----------------------|-------|-----------|
| 1    | GU05730730 | Startmotor Bosch     | 1     |           |
| 2    | GU98082435 | Zeskantbout M8x35    | 2     |           |
| 3    | GU95008208 | Sluitring 8,4X15X1,5 | 2     |           |

|                     |               |
|---------------------|---------------|
| <b>Groep</b>        | ENGINE        |
| <b>Code</b>         | 34.47         |
| <b>Beschrijving</b> | Throttle body |
| <b>Revisie</b>      | 1             |



| Pos. | Code           | Beschrijving                              | Aant. | Varianten |
|------|----------------|---|-------|-----------|
| 1    | GU32112510     | Groep smooklephuizen                      | 1     |           |
| 2    | GU05112830     | Potentiometer                             | 1     |           |
| 3    | GU32115010     | Pijp aanz. re                             | 1     |           |
| 4    | GU32115710     | Injector cpl.                             | 2     |           |
| 5    | GU32530509     | Staaf                                     | 1     |           |
| 6    | AP8152298      | Bolbout met binnenzeskant, geflenst M5x16 | 2     |           |
| 7    | GU32115510     | Pakking                                   | 1     |           |
| 8    | GU32115011     | Pijp aanz. li                             | 1     |           |
| 9    | GU98682322     | Binnenzeskantbout M6x22                   | 4     |           |
| 10   | GU03013800     | Sluitring 6,4x12                          | 4     |           |
| 11   | GU98310609     | Bout M6x10                                | 2     |           |
| 12   | GU95100116     | Sluitring 6,25x10x1,5                     | 2     |           |
| 13   | GU93305057     | Klemmetje 57x59,5x10                      | 2     |           |
| 14   | GU32114310     | Mof                                       | 2     |           |
| 15   | GU93305061     | Klemmetje 61/65,5                         | 2     |           |
| 16   | GU32112610     | Smooklephuis re                           | 1     |           |
| 17   | GU32112611     | Smooklephuis li                           | 1     |           |
| 18   | GU32718010     | Klemmetje                                 | 2     |           |
| 19   | 978938         | Bedekking re verchr.                      | 1     |           |
| 20   | 978939         | Bedekking li verchr.                      | 1     |           |
| 21   | GU98370515     | Bout                                      | 4     |           |
| 22   | GU30577800     | Sluitring in nylon 5,5X12X1               | 4     |           |
| 23   | GU93231605     | Huls antitrilling                         | 4     |           |
| 24   | GU97270212     | Trekbout                                  | 1     |           |
| 25   | GU973221100027 | Kit plaatje                               | 1     |           |